

INSPIRED FISHING

OKUMA FISHING TACKLE RISING WITH EVERY CHALLENGE

The average person might stumble upon a remote beach & find inspiration in the texture of the sand, curl of the waves & the salty spice of the air. For the community of anglers, however, playing witness to nature is far less satisfying than direct participation.

As we approach every piece of water, our attention inevitably falls to what lies beneath the surface: beneath the waves, off the point, on the edge of structure, at the intersection of currents. It's the fish & their habits, their power & speed that captivate our attention. Through rod & reel we find our connection. Some call it sport. We call it a way of life that's rich with experiences.

At Okuma Fishing Tackle, our goal is to enhance every encounter. Integrating the latest advancements in materials & construction techniques is a means to downplay the presence of the gear. Eliminate weight & increase feel. Enjoy a running fish instead of fearing it. Button down the drag & go toe-to-toe with complete confidence. Your focus is not on the equipment; it's on the fish.

Wherever your travels take you, from the local pond to distant reef, we're proud to be your partner in the discovery of what lies beneath.

OKUMA FISHING TACKLE CORPORATION



CONTENTS

1

SPINNING REELS

Makaira Spinning Reels	16
Cedros Reels	17
Azores Saltwater Reels	19
Azores XP Reels	20
Helios SX Reels / Inspira Reels	21
ITX Carbon Reels	24
Epixor XT Reels	25
Epixor XS Reels	26
Ceymar Reels	27
Ceymar TG Reels	28
Ceymar XT Reels	29
Avenger Reels	30
TOMCAT / SCORPIO Reels	31
Safina Pro / Safina Reels	32
Solaris / Alaris Reels	33
Altera / Jaw Reels	34
C-Fight / Azaki Reels	35
Pink Pearl V2 / Fuel Spin Reels	36
Aria "a" / Ceymar XT Match FD Reels	37
Carbonite V2 Match / Custom Black Feeder Reels	38
Carbonite XP Feeder / Carbonite Match Reels	39
Carbonite / Revenger Pro Reels	40
Revenger / Cascade Reels	41
Aventa / Coronado CDX Reels	42
Avenger ABF / TOMCAT Baitfeeder Reels	43
Longbow XT / Ceymar Baitfeeder Reels	44
Ceymar / Pulzar Baitfeeder Reels	45
Dyna Drag XP / Powerline Pro Baitfeeder Reels	46
Lotus BF / AK Baitfeeder Reels	47
Carbonite B-Feeder / Carbonite XP BF Reels	48
ATOMIC Carp / Custom Reels	49
Rockaway Baitfeeder Reels	50
LS Reels	51
8K Reels	52
SURF-8K / Distance Surf Arena Reels	54
Rockaway / T-REX Reels	55
Custom Black / Distance DTA Reels	56
BIG Bomber Spod / INC Reels	57

2

BAITCAST REELS

Hakai Low Profile Baitcast	61
Komodo SS Low Profile Baitcast	64
Serrano Low Profile Baitcast	65
Ceymar / Scorpio Low Profile Baitcast	66
Fuel Spin / Citrix Low Profile Baitcast	67

3

CONVENTIONAL REELS

Tesoro Star Drag Reels	70
Cortez Star Drag Reels	71
Convactor / Convactor Line counter Reels	72
Convactor Low Profile Reels	73
Cold Water Line Counter Reels	74
Magda Pro Line Counter Reels	75
Classic Pro XPD Reels	75
Classic Pro XP / Classic CLX Reels	76
Makaira Lever Drag Reels	80
Makaira SEa Lever Drag Reels	81
Makaira SEa Silver Lever Drag Reels	82
Alijos High-Speed Lever Drag Reels	83
Cavalla Lever Drag Reels	84
Solterra SLX Lever Drag Reels	85

4

RODS CONT.

Helios Rods	89
ONE.rod / Inspira Rods	90
Helios SX Rods	91
Epixor Rods	92
Epixor Travel / Ceymar Spr Rods	93
Pink Pearl V2 / Azaki Rods	94
Alaris Rods	95
Alaris Spin Rods	96
Altera Rods	97
Altera Travel Rods	98
Altera Tele Spin / Vsystem V2 Rods	99

Nemesis Rods	100
Competition Rods	101
Fuel Spin Rods	102
Wave Power Rods	103
Baltic Stick Rods	104
Tactical Rods	105
RED V1 / RED V2 Rods	106
Psycho-Perch Spin Rods	107
G-Control Rods	108
LRF Rods	109
Light Range Fishing	
Light Range Fishing Rods	110
Rodster Spin Rods	111
Epixor / Competition Pole Rods	112
G-power Tele Pole / G-Power Travel Pole Rods	113
Meridiana Bolo / Helios Bolo Rods	114
Epixor Bolo / Competition Bolo Rods	115
Tomcat Rods	116
LS-8K Carp Rods	117
8K Carp / LS-6K Carp Rods	118
Custom Black Carp Rods	119
C-Fight Carp Rods	120
Avenger Carp Rods	121
Longbow Carp / Altera Tele Cast Rods	122
8K Feeder Rods	123
LS-6K Feeder Rods	124
Custom Black Feeder Rods	125
Ceymar Feeder Ros / Okuma Feeder Solid Tip	126
Custom Black Match	
Ceymar Match / Feeder Rods	127
Makaira Trolling Rods	128
PCH Custom Rods	130
Okuma Woven Carbon Butt / SLX TR Rods	131
SLV / Cortez Boat Rods	132
Cold Water / Azores V2 Blue Rods	133
Hawaiian Custom Popping Rods	134
Metaloid S Rods	134
Metaloid Jigging Rods	135
Tesoro Jigging Rods	136

5

TRAVEL

Fuel Spin Combos	158
Steeler XP Combos	159
Cascade II Combos / Sierra Fly Combos	160
Fin-Chaser X Combos	161
Nomad Xpress Fly Combos	162
Airframe Fly Combos	163

Metaloid Slow Jigging Rods	137
Tesoro Slow Jigging Rods	138
Azores Slow Jigging Rods	139
Magda Air Rods	140
Komodo Light Jigging / Egi Sniper Rods	141
Epixor Egi / Aria Egi Rods	142
Egipro / Flxtip Rods	143
Altera Egi / Altera Egi Tele Rod	144
Tatay Pro / Cold Water Rods	145
Cedros Surf / Azores XT / Azores II Rods	146
Master Surf / Trio-Rex Arena Rods	147
HCS Custom Surf / Distance Surf Area Rods	148
Surfliner Surf / Nemesis Surf Rods	149
Wave Power / Helios Tele Surf Rods	150
Makaira Tele Surf / Azores Tele Surf Rods	151
Trio-Rex Tele Surf / Ceynar Tele Surf Rods	152
Avenger Tele Surf / Elettra Surf Rods	153
Revenger Tels Surf / Fina Pro Tele Surf Rods	154
Alaris Tele Surf / Wave Power Tele Surf Rods	155

6

FLY & FLOAT

RAWII centerpin Float Reels	166
Aventa Float Reels	166
Helios SX Fly Reels / SLV "b" Fly Reels	167

7

ACCESSORIES & APPAREL

Fishing Lines	170
Okuma Apparel	174
Accessories	175

SPINNING REEL TECHNOLOGY



ALG

With today's super braided lines & lighter more compact reels, ALG offers anglers lighter weight gears without compromising on strength & durability. Adding to their longevity, ALG gears are anodized to hold up to the elements much better than traditional gearing materials.

PRECISION ELLIPTICAL GEARING SYSTEM

The Precision Elliptical Gearing System advantage boils down to one thing & one thing only – performance. By regulating the speed of the spindle stroke, reels equipped with this system wind line more consistently & uniformly on the spool, resulting in level line lay. This creates less friction during casting for increased distance, greater accuracy & longer line life, as well as smoother, more uniform drag pressures. Pick up any Okuma reel equipped with this feature & feel for yourself the balance, smoothness & power that are all characteristics of the Precision Elliptical Gearing System.



SPINNING REEL DUAL FORCE DRAG

DFD incorporates both surfaces of the spool to maximize high-end drag pressure, efficiency & overall smoothness. Mounted in the top of the spool & protected by the Hydro Block system is a multi-disc felt drag system that works in conjunction with a secondary drag system that is mounted under the spool. Even pressure is applied to both surfaces of the spool for maximum stability.



MAXGEAR®

Makaira reels feature a forged, machine cut stainless steel main gear paired with a 17-4 stainless steel pinion gear. This gear system is unmatched in this category.



HDGII

Okuma's proprietary High Density Gearing II incorporates an extremely strong alloy composition with a special anti-corrosion coating process. The result is high density, corrosion resistant gears that are built to handle the severe elements & brutal strains placed on a reel's internal gear system.



LITECAST®

LITECAST® is the latest in Okuma's reel technology. Reels with the LITECAST® structure are composed using a magnesium material in the casting process, making the integrity of the reel incredibly strong & 15% lighter than aluminum alloy reels. Okuma Cedros Saltwater Spinning Reels feature the new LITECAST® construction.



C-40X

Okuma's C-40X carbon technology utilizes a specially blended graphite polymer. The carbon fibers in this material are elongated & reinforced, creating a substantially stronger composite than standard graphite materials. At 25% lighter, 1.5 times stronger & 100% anti-corrosive, C-40X translates into an extremely lightweight & durable construction.



CFR CYCLONIC FLOW ROTOR

The Cyclonic Flow Rotor (CFR) was designed to create a "cyclonic" airflow, which significantly increases air flow through the ported rotor. This thoroughly tested design allows for a much faster drying time if the reel becomes wet, minimizing corrosion possibilities throughout the reel.



ALUMILITE FRAME CONSTRUCTION

AlumiLite construction incorporates Okuma's rigid aluminum body technology on spinning, trolling and fly reel designs. Aluminum frames are stronger and more rigid and are capable of withstanding more pressure and torque than traditional graphite frames. These lightweight, diecast aluminum frames provide more precise tolerances for precision gear alignment, maximum castability and ultimate durability.



Torsion Control Armor

The Torsion Control Armor (TCA) design found on the new Inspria spinning reels is made with Okuma's C-40X long-strand carbon fiber technology. This not only makes the reel lighter, but also makes the reel extremely rigid which reduces twist & torque, keeping the internal parts in perfect alignment.



CENTRIFUGAL DISC BAIL

Okuma's Centrifugal Disc Bail (CDB) is a unique new design that incorporates a heavier brass disc that is perfectly weighted & balanced to create a smoother & easier bail operation, while increasing the strength & stability of the overall bail function.



SPINNING REEL TECHNOLOGY

BAITFEEDING SYSTEM

Okuma's baitfeeding system allows anglers to disengage their spinning reel spool & allow their bait to run freely. The baitfeeding system incorporates a secondary micro-adjustable drag system at the rear of the reel that allows for precise adjustment of the spool for bait control. In order to disengage this system simply turn the handle. The On/Off lever on the rear of the reel will automatically disengage the baitfeeding system so you can fight your fish with the main drag system.

HYDRO BLOCK

The Hydro Block design features a rubber gasket mounted in the top of a spinning reel spool. This rubber seal blocks water & foreign materials from entering the drag system. The Hydro Block system ensures that your drag washers always perform at optimal levels.



QUICK-SET

This system allows for instant handle engagement & eliminates all handle back play commonly found in many reels. This is accomplished by using a corrosion-resistant stainless steel roller bearing that engages the reel in one direction for rock-solid hook sets.



EFR II

The Even Flow Roller System utilizes a ball bearing under the line roller to maximize efficiency. This roller helps reduce line twists by freely rolling over the line roller without friction. Without this system, line will naturally twist when drag is pulled.



RES II

The RES II System stands for Rotor Equalizing System. This second-generation RES System incorporates a computer-balanced weight precisely placed in the rotor. This weight allows for precision balance & eliminates all spool wobble for perfect alignments & smooth cranking.



HIGH PERFORMANCE BALL BEARINGS

The balls used on the HPB's are constructed from the same high-grade stainless steel material as the bearing housing. These bearings were designed to be more than 10 times more resistant to saltwater than standard stainless steel bearings. These bearings may even outlast the angler himself.

LOW PROFILE REEL TECHNOLOGY



LITECAST®

LITECAST® is the latest in Okuma's reel technology. Reels with the LITECAST® structure are composed using a magnesium material in the casting process, making the integrity of the reel incredibly strong & 15% lighter than aluminum alloy reels. Okuma Hakai Reels feature the new LITECAST® construction.

FLITE™ SPOOL

FLITE SPOOL™ is a Dream Tackle Design allowing Okuma to offer a super tuned spool on our premium baitcast reels. The spool is 33mm in diameter and was developed for long distance casting as well as finesse style fishing. The complete spool design weighs in at just 0.33 ounces as a result of its uniform thickness, which is what helps set this super tuned spool apart from others.

FLITE™ SHAFT

FLITE SHAFT™ is a patented hollow stainless steel spool shaft with precision stainless steel balls pressed on each end. These balls rotate under pressure to reduce friction and help increase casting distance. Providing the perfect balance point between weight, strength and smoothness.



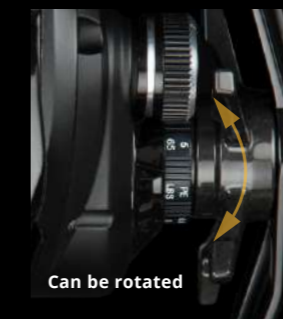
PRECISION SUS BALLS ON ENDS FOR PERFECT BALANCE

HOLLOW MAIN SHAFT



TGT (Traction Grip Technology)

Okuma TGT is made of non-slip durable materials that not only provides maximum grip, but comfort and control in all weather conditions.



Can be rotated

UNIVERSAL LINE DIAM INDICATOR

Always know what line you spooled on your reel when you pick it up.



MCS

Okuma's Magnetic Control System reduces backlash & improves casting distance by utilizing the magnetic field generated by the high RPM spinning of the spool during casting. The magnetic field is influenced by the adjustable cast control magnets which exert an opposing force & allows for minute & accurate adjustments.

VELOCITY CONTROL

The Velocity Control System is an adjustable, 6-pin centrifugal braking system for precision spool control. Weights can be adjusted IN or OUT for additional spool control. Positioning the weights in toward the spool allows for more freespool, while adjusting the pins out away from the spool allows for more control. Anglers can alternate weights until they find that perfect balance for casting.



SPOOL ACCESS PORT

This unique new design can be found on Okuma's low profile baitcast reels. The Spool Access Port allows for quick access to the spool by simply sliding the lock/unlock lever on the sideplate opposite the handle. This system allows for quick spool changes, but more importantly it allows quick access for adjusting the Velocity Control System.

TROLLING AND CONVENTIONAL REEL TECHNOLOGY

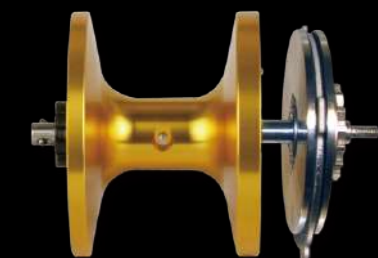


SELF LUBRICATING GEAR SYSTEM

The self-lubricating gear system is a feature found on Okuma's higher-end star drag reels. The main gear on this system incorporates a heat-sensitive oil-impregnated brass bushing that is mounted in the center of the gear. This system releases oil if friction increases to keep the main gear & drive shaft running smoothly in all conditions. Okuma is the first company to adopt this technology which originated in the large machine industry where this function has been time tested for many years.

LEVER DRAG DUAL FORCE DRAG

For extremely smooth & strong drag outputs, Okuma's Makaira and Alijo's 2-speed reels are designed with a patented Dual Force Drag system. This drag system is specifically engineered to be mounted in the right side of the spool, designed around a Pull Bar Drag System which keeps all mechanical workings in precise alignment & places no pressure on the frame. This system works in conjunction with a custom designed thrust bearing, which alleviates side load at heavy drag settings.



2-SPEED GEARING

Okuma's 2-speed technology incorporates two sets of stainless steel main & pinion gears, allowing anglers the option of a high-speed gear ratio or a powerful low-speed gear ratio for maximum power & torque. To shift gears it is as easy as pushing a button or popping a lever with Okuma's unique shifting design to obtain the appropriate gear ratio you desire.



XL GEARING

The XL gearing design found on both lever drag & star drag reels incorporates an oversized gear box that features an enlarged gearing system & enlarged drag system. The drag surface areas on this system are more than 50% larger than a standard gear-box design. For the gear system, the major advantage is that the gear teeth are substantially larger, allowing more strength & cranking power. This is how we are able to offer a high-speed gear ratio reel without sacrificing cranking power. Our XL gearing system essentially turns your reel into a winch.



MACHINED RIGID FRAME

Okuma's Machined Rigid Frame construction incorporates a one-piece fully-machined aluminum frame. These rigid bar-stock aluminum frames are the ultimate in precision alignment & tolerances withstanding more pressure & torque than any other material used in our industry for frame materials. Okuma features these anodized frames on fly reels, baitcast reels, lever drag reels & star drag trolling reels.



BODY ARMOR

Okuma's stainless steel Body Armor eliminates the frame flex commonly found in graphite framed trolling reels. This feature incorporates two large stainless steel rings that are mounted to both sides of the frame. The harness lugs are integrated into the body armor design & eliminate the pressure commonly placed on the harness lugs by redistributing the pressure to these large-diameter rings.



SPEED LOC PINION GEAR SYSTEM

The SLG technology incorporates a dual-step pinion gear system on star drag reels that allows positive engaging at extreme high speeds. The SLG system allows for instant gear engagement when engaging from freespool to strike at speeds in excess of 50 MPH.



MSS

Strong, Stable, Smooth - Okuma's Mechanical Stabilizing System is a support system that ties the spool shaft, pinion gear, pinion gear bearing, drive shaft & main gear together with a single support system. While other reels on the market offer minimal or no gear stabilization, this patented Okuma design allows all of these critical parts to stay in precise alignment. Designed specifically to hold up to the demands of braided & wire line fishing, the MSS support system stabilizes the spool shaft at 3 key stress points to eliminate flex under pressure - which directly translates into a reel that is more durable, stronger & smoother than the competition.



WIDE MOUTH LEVELWIND

This heavy-duty, stainless steel levelwind is Titanium coated & built to withstand the punishment of both braided & wire lines. The guide has been designed with an increased opening to insure proper knot clearance when fishing with double lines. This wide space allows for Albright or similar connection knots, as well as swivels & copper line to pass through the guide easier & be wound directly on the spool.



T-BAR HANDLE

T-Bar Handle: The patented design of the T-Bar handle offers a true ergonomically correct angle to ensure an angler gets maximum power with minimum fatigue. The T-bar takes full advantage of the natural dynamics of the human hand, wrist & forearm to help sustain power & endurance for the angler.



HIPPO GRIP

The Hippo Grip is a unique reel-clamp design that serves triple duty when fishing offshore. This heavy-duty, forged aluminum reel clamp securely supports your reel to the rod for maximum safety. This clamp also incorporates a small hole that was designed to be used with a safety line for trolling. On the rear of the clamp is a large diameter hole that was designed to be used as a trigger. The large hole should be mounted facing the butt of the rod.



MCS

Okuma's Magnetic Control System is a fully-sealed, 100% waterproof cast control system that reduces backlash & improves casting distance by utilizing the magnetic field generated by the high RPM spinning of the spool during casting. The magnetic field is influenced by the adjustable cast control magnet which exerts an opposing force & allows for minute & accurate adjustments.



STRIKE ZONE

Okuma's Strike Zone linecounter system incorporates a mechanical counter that precisely measures line based on spool revolutions. These counters measure in feet & are calibrated at the factory to be most accurate with a full spool & monofilament lines.



ERGO GRIP

The Ergo Grip handle knob is an extremely comfortable oversized handle-knob design for both speed & power. This soft-touch knob has been ergonomically designed to fit in the palm of your hand & will be found on certain Okuma lever drag reels, star drag reels & some spinning reel models.



CRC

Okuma's Corrosion Resistance Coating (CRC) consists of a thin layer of Corrosion X HD applied to all internal & external parts. The CRC process actually penetrates & bonds to the metal, which helps significantly in the reduction of corrosion, & towards the long term protection of your reel.

ROD TECHNOLOGY

Ultimate Flex Reinforcement

UFR ®

A TIP TO CATCH THEM ALL

Anglers will immediately identify the benefits of Okuma's Ultimate Flex Reinforcement (UFR) technology through light-weight and sensitive rod-tip construction. UFR technology incorporates three times the strength and lifting power over traditional rods, making it powerful enough to fight the toughest of fish, but sensitive enough to feel the lightest of bites.

Ultimate Matrix Reinforcement

UMR ®

LIGHTWEIGHT STRENGTH BUILT FOR ANY CHALLENGE

Okuma's Ultimate Matrix Reinforcement (UMR) technology maximizes rod strength while minimizing weight, so you can rise to meet any challenge.



SPINNING REELS

Spinning reels are an opportunity. Worldwide, they're most often the very first reel a beginning angler picks up. For many, they're the only reel type that's ever needed. As such, spinning reels define the experience from pond panfish to offshore big game. At every level the Okuma selection is angler-centric, delivering a fantastic fishing experience through better design, materials & construction techniques. Our reels need to inspire participation today, tomorrow & in the future ahead, a responsibility we gladly accept.



MAXGEAR[®]

MAXGEAR REACH FOR THE MAX

Okuma's Makaira spinning reels are in a class of their own, featuring a forged stainless steel, machined MAXGEAR. While the majority of reels in this category feature bronze, aluminum or simple machine cut stainless steel gears, the Makaira's class leading main gears are machine cut forged stainless steel. We ported the main gear and incorporated other design elements to keep it light weight enough for you to fish all day. No compromises were made in the internal design of MAXGEAR. The pinion gear and heat treated spool shaft are 17-4 grade machine cut stainless steel. They are rust proof and were optimized to work with braided line and the reels high-output drag.

MAKAIRA[®] SPINNING REEL

Derived from the Okuma 4D Concept which focuses on Design, Drive, Drag & Durability as core performance elements, Makaira spinning reels are built from the ground up to be the toughest, most durable spinning reels an angler can own. Constructed from the finest & strongest materials available, Makaira series reels are big game reels developed to pursue everything from Giant Trevally, trophy-sized Yellowtail & Amberjack, to the most formidable adversaries in the ocean, like giant Bluefin Tuna, Marlin, cow Yellowfin Tuna & large sharks.

MAXGEAR

Makaira reels feature a forged, machine cut stainless steel main gear paired with a 17-4 stainless steel pinion gear. This gear system is unmatched in this category.



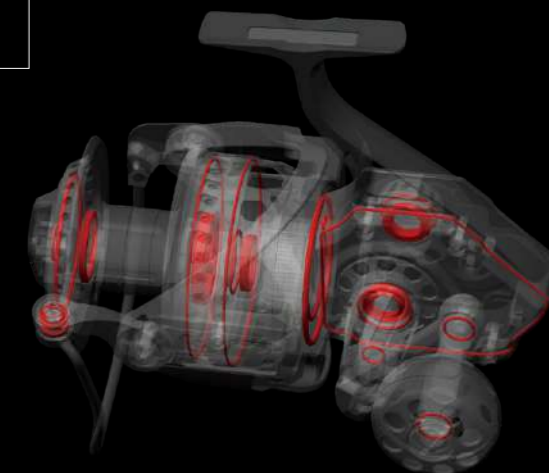
The Makaira is unmatched in elite level spinning reels with a forged, machine cut aluminum body, sideplate & rotor. There are no die-cast parts on this reel. The Mak is the elite reel in the category, with a complete forged aluminum housing.

The Makaira drag system utilizes the complete surface area of the carbon fiber drag washers; the system has been engineered to make full contact with the outer edges of our carbon washers, which maximizes efficiency & the ability to deliver high drag outputs. The DFD concept applies pressure to both sides of the spool in order to maximize use of the available surface area, enlarging the working surfaces of our drag system which dramatically improves heat dissipation.

BEARINGS



CARBON FIBER



Makaira spinning reels are engineered to withstand the most brutal conditions the ocean can offer. To accomplish this, we equipped this series with 23 different oil-retaining o-rings & gaskets. Our engineers made this reel impervious to the elements & by making it water tight, all the internal mechanisms are sealed & protected from salt. The result is the best-of-the-best when it comes to big game fishing reels.

MAKAIRA[®] SPINNING REEL

MAKAIRA SPINNING REELS

- Forged aluminum, machine cut body/sideplate
- Forged aluminum, machine cut Cyclonc Flow rotor
- Forged stainless steel main gear for ultimate power & strength
- Precision machine cut 17-4 grade stainless steel pinion gear
- Oversized 17-4 grade stainless steel spool shaft reduces flex
- Hydro Sealed Body & DFD system for maximum protection
- Carbonite high output drag with Cal's drag grease on full DFD
- Customized pre-set drag system, works like a lever drag reel
- 9HPB + 1RB corrosion resistant stainless steel bearings
- Dual anti-reverse system for maximum strength & reliability
- Quick-Set stainless steel German anti-reverse roller bearing
- CRC: Corrosion-resistant coating process
- Machined aluminum, 2-tone anodized spool with LCS lip
- Machined aluminum screw-in handle arm for added strength
- Right & Left handles are designed differently: Order by Rt/Lt
- Heavy duty, solid aluminum bail wire with manual trip function
- Rotor brake system works in conjunction with manual bail trip
- Machined aluminum handle knob on 20,000 & 30,000 size.
- Ergo Grip, Rubber Soft Touch handle on 10,000 size



MODEL	GEAR RATIO	BEARINGS	WEIGHT (G)	LINE RETRIEVE (CM)	MAX DRAG FORCE (KG)	MONO LINE CAPACITY (DIAMETER IN MM.)
MAKAIRA SPINNING REELS						
MK-10000L*	4.9:1	9HPB + 1RB	810	101.6	25	0.35/380, 0.40/300, 0.45/225
MK-20000LS*	5.8:1	9HPB + 1RB	997	131.1	30	0.45/450, 0.50/370, 0.55/300
MK-30000LS*	5.8:1	9HPB + 1RB	1107	166.9	30	0.55/530, 0.60/450, 0.65/380
MK-10000R	4.9:1	9HPB + 1RB	810	101.6	25	0.35/380, 0.40/300, 0.45/225
MK-20000RS	5.8:1	9HPB + 1RB	997	131.1	30	0.45/450, 0.50/370, 0.55/300
MK-30000RS	5.8:1	9HPB + 1RB	1107	166.9	30	0.55/530, 0.60/450, 0.65/380

*Left Handed Retrieve



MK-10000R
(Right Hand Model)



MK-20000LS
(Left Hand Model)



MK-30000LS
(Left Hand Model)

AZORES XP

AZORES XP REELS

- DFD: Precision Dual Force Drag system
- Precision click drag adjustment for more precise settings
- Multi-disc, Carbonite and felt drag washers for DFD
- 6HPB + 1RB corrosion resistant stainless steel bearings
- Quick-Set anti-reverse roller bearing plus ratchet system
- Dual anti-reverse system for maximum security
- Precision machine cut brass pinion gear
- CRC: Corrosion-resistant coating process
- HDGII: Corrosion-resistant, High density gearing
- ALC: Rigid diecast aluminum body, sideplate and rotor
- MSS: carbon Mechanical Stabilizing System
- Machined aluminum, 2-tone anodized spool with LCS lip
- Machined aluminum handle arm for added strength
- Hydro Block water tight drag seal
- Heavy duty, solid aluminum bail wire



MODEL	GEAR RATIO	BEARINGS	WEIGHT (G)	LINE RETRIEVE (CM)	MAX DRAG FORCE (KG)	MONO LINE CAPACITY (DIAMETER IN MM.)
AZORES XP HIGH-SPEED SPINNING REELS						
ZXP-4000H	5.8:1	6HPB + 1RB	335	91	13	0.25/290, 0.30/200, 0.35/150
ZXP-6000H	5.8:1	6HPB + 1RB	526	105	13	0.30/300, 0.35/220, 0.40/170
ZXP-8000H	5.4:1	6HPB + 1RB	720	110	20	0.40/250, 0.45/200, 0.50/160
ZXP-14000H	5.4:1	6HPB + 1RB	738	120	20	0.40/370, 0.45/290, 0.50/240
ZXP-16000H	5.4:1	6HPB + 1RB	740	120	20	0.40/420, 0.45/335, 0.50/270
AZORES XP LOW-SPEED SPINNING REELS						
ZXP-6000P	4.8:1	6HPB + 1RB	526	87	13	0.30/300, 0.35/220, 0.40/170
ZXP-8000P	3.8:1	6HPB + 1RB	720	77	20	0.40/250, 0.45/200, 0.50/160
ZXP-14000P	3.8:1	6HPB + 1RB	738	84	20	0.40/370, 0.45/290, 0.50/240
ZXP-16000P	3.8:1	6HPB + 1RB	740	84	20	0.40/420, 0.45/335, 0.50/270



ZXP-14000P



MAG-ALLOY CONSTRUCTION DESIGN

Okuma's LITECAST® construction design is 15% lighter than former Azores reels while maintaining maximum strength and durability.



DUAL FORCE DRAG SYSTEM

DFD incorporates both surfaces of the spool to maximize high-end drag pressure, efficiency and overall smoothness. Mounted in the top of the spool and protected by the Hydro Block system is a multi-disc felt drag system that works in conjunction with a secondary drag system that is mounted under the spool. Even pressure is applied to both surfaces of the spool for maximum stability and significantly increased drag output compared to traditional single drag systems.



HIGH PERFORMANCE BEARING (HPB)

6 high performance ball bearings provide Cedros with outstanding smoothness and reliability in saltwater fishing environments. The balls used on the HPB's are constructed from the same high-grade stainless steel material as the bearing housing.



GEARING STABILIZATION DESIGN

Ultimate pinion stability for perfect main gear adjustment : super smooth gearing feeling and high durability.



MANUAL BAIL TRIP

Manual bail trip function for both reliability as well as reduces line twists.



CEDROS

CEDROS REELS

- DFD: Precision Dual Force Drag system
- Multi-disc drag adjustment for more precise settings
- LITECAST: Body construction is 15% lighter
- CRC: Corrosion resistant coating process
- 6HPB + 1RB corrosion resistant stainless steel bearings
- Dual anti-reverse feature on 8000-14000 sizes
- Quick-Set anti-reverse roller bearing
- Manual bail trip function 8000-14000 sizes
- HDGII: Corrosion resistant, High density gearing
- Precision machine cut brass pinion gear
- Machined aluminum, 2-tone anodized spool
- Machined aluminum, screw-in handle arm

Specifically designed for saltwater use, the Cedros spinning reels feature Okuma's Litecast Blade body design, Dual Force Drag System for extreme stopping power & our proprietary High Density Gearing with a special corrosion resistant coating. Combine this with a high-speed gear ratio & a customized aluminum handle, you have one of the best saltwater jig fishing reels on the market.



CJ-5000H



CJ-8000



MODEL	GEAR RATIO	BEARINGS	WEIGHT (G)	LINE RETRIEVE (CM)	MAX DRAG (KG)	MONO LINE CAPACITY (DIAMETER IN MM.)
CEDROS SPINNING REELS						
CJ-4000H	5.8:1	6HPB+1RB	380	90	15	0.25/280, 0.30/185, 0.35/130
CJ-5000H	5.8:1	6HPB+1RB	397	95	15	0.30/240, 0.35/170, 0.40/125
CJ-6000H	5.8:1	6HPB+1RB	405	101	15	0.30/315, 0.35/220, 0.40/165
CJ-8000	5.4:1	6HPB+1RB	624	104	20	0.40/230, 0.45/180, 0.50/140
CJ-10000	5.4:1	6HPB+1RB	643	112	20	0.40/290, 0.45/220, 0.50/175
CJ-14000	5.4:1	6HPB+1RB	646	116	20	0.40/370, 0.45/290, 0.50/230



AZORES SALTWATER REELS

- DFD: Precision Dual Force Drag system
- Precision click drag adjustment for more precise settings
- Multi-disc, Carbonite & felt drag washers for DFD
- 6HPB + 1RB corrosion resistant stainless steel bearings
- Quick-Set anti-reverse roller bearing plus ratchet system
- Dual anti-reverse system for maximum security
- Precision machine cut brass pinion gear
- CRC: Corrosion-resistant coating process
- HDGII: Corrosion-resistant, High density gearing
- ALC: Rigid diecast aluminum body, sideplate & rotor
- MSS: carbon Mechanical Stabilizing System
- Machined aluminum, 2-tone anodized spool with LCS lip
- Machined aluminum handle arm for added strength
- Hydro Block water tight drag seal
- Heavy duty, solid aluminum bail wire



MODEL	GEAR RATIO	BEARINGS	WEIGHT (G)	LINE RETRIEVE(CM)	MAX DRAG FORCE (KG)	MONO LINE CAPACITY (DIAMETER IN MM.)
AZORES SPINNING REELS						
AZORES-4000	5.8:1	6HPB + 1RB	341	90.9	13	0.30/180, 0.35/135, 0.40/105
AZORES-5500	5.8:1	6HPB + 1RB	524	104.6	13	0.35/250, 0.40/190, 0.50/125
AZORES-6500	5.4:1	6HPB + 1RB	730	110.2	20	0.35/390, 0.40/300, 0.50/185
AZORES-8000	5.4:1	6HPB + 1RB	748	120.4	20	0.45/310, 0.50/250, 0.55/210
AZORES-9000	5.4:1	6HPB + 1RB	750	120.4	20	0.45/350, 0.50/280, 0.55/240



AZORES-6500



HSX-40



ISX-40B

Helios SX

HELIOS SX REELS

- Lightweight C-40X carbon frame & sideplates
- C-40X Cyclonic Flow Rotor for corrosion resistance
- TCA: Torsion Control Armor reduces twisting
- 8HPB + 1RB corrosion resistant stainless steel bearings
- Quick-Set anti-reverse roller bearing
- Precision machine cut brass pinion gear
- ALG: Precision AlumiLite alloy main gear & oscillating gears
- Rigid, machined aluminum, anodized handle
- Lightweight, EVA handle knobs for comfort
- Precision Elliptical Gearing system
- Machined aluminum, 2-tone anodized spool
- Heavy duty, solid aluminum bail wire
- RESII: Computer balanced Rotor Equalizing System



MODEL	GEAR RATIO	BEARINGS	WEIGHT (G)	LINE RETRIEVE (CM)	MAX DRAG FORCE (KG)	MONO LINE CAPACITY (DIAMETER IN MM.)
HELIOS SX SPINNING REELS						
HSX-20	5.0:1	8HPB + 1RB	180	60.7	3	0.15/240, 0.20/140, 0.25/90
HSX-30	5.0:1	8HPB + 1RB	202	68.6	6	0.20/300, 0.25/200, 0.30/130
HSX-40	5.0:1	8HPB + 1RB	262	76.2	6	0.25/260, 0.30/180, 0.35/130
HSX-40S*	5.8:1	8HPB + 1RB	260	91.2	6	0.25/260, 0.30/180, 0.35/130

*High Speed Reel

Inspira S

INSPIRA REELS

- Lightweight C-40X carbon frame & sideplates
- 8BB + 1RB stainless steel bearings
- Quick-Set anti-reverse roller bearing
- Precision machine cut brass pinion gear
- Rigid, forged aluminum, anodized handle
- Lightweight, EVA handle knobs for comfort
- Precision Elliptical Gearing system
- Machined aluminum, 2-tone anodized spool
- Heavy duty, solid aluminum bail wire
- CFR: Cyclonic Flow Rotor



MODEL	GEAR RATIO	BEARINGS	WEIGHT (G)	LINE RETRIEVE (CM)	MAX DRAG FORCE (KG)	MONO LINE CAPACITY (DIAMETER IN MM.)
INSPIRA SPINNING REELS						
ISX-20B	5.0:1	8BB+1RB	182	60.7	3	0.15/240, 0.20/140, 0.25/90
ISX-30B	5.0:1	8BB+1RB	213	68.6	6	0.20/300, 0.25/200, 0.30/130
ISX-40B	5.0:1	8BB+1RB	268	76.2	6	0.25/260, 0.30/180, 0.35/130

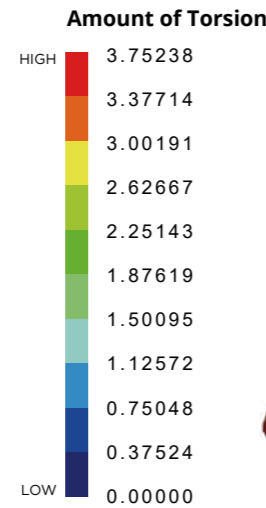


TORSION CONTROL ARMOR DOMINATE WITH POWER

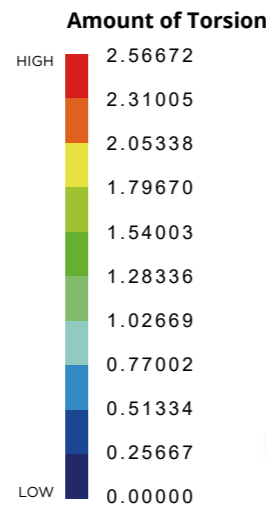
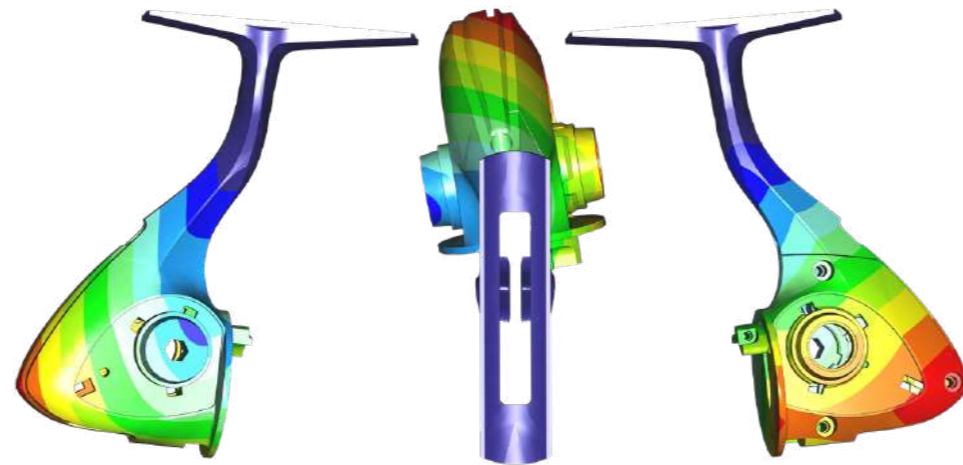
Okuma's Torsion Control Armor (TCA) is a breakthrough in reel design that provides a stronger, more durable, reel construction. TCA technology offers maximum stability by eliminating reel stem twisting and keeping gears aligned; giving the confidence you need in fighting the fish of a lifetime.

Strengthen Against Weak Points

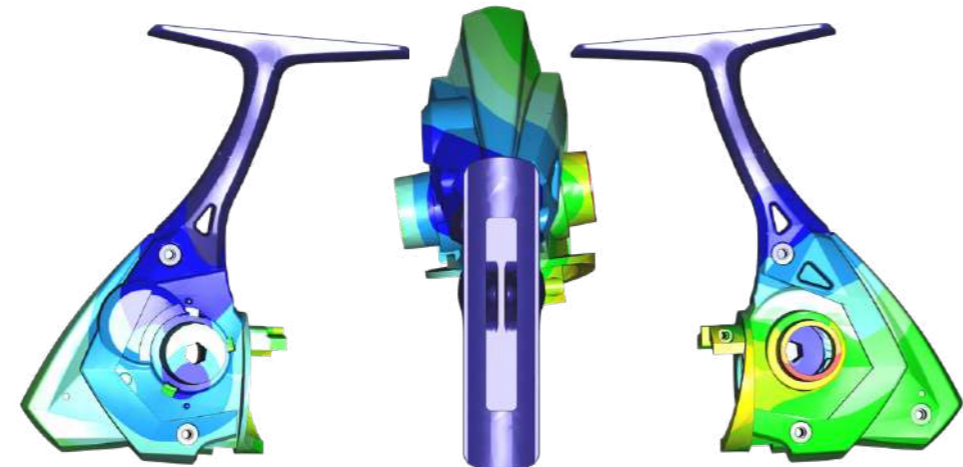
While traditional spinning body designs utilize single-side support, Torsion Control Armor uses a durable double-arm design to help decrease pressure from weak areas and body twisting points.



Traditional Body Design with Single Side Support



Torsion Control Armor with Double-Arm-Design



INSPIRED BY POWER

MACHINED ALUMINUM SCREW IN HANDLE DESIGN WITH TGT GRIP

The machined aluminum handle screws directly into the reel for the ultimate in a direct and secure connection. (TGT: Traction Grip Technology)

LIGHTWEIGHT AND RIGID C-40X CARBON TCA AND ROTOR

The lightweight and rigid C-40X long strand carbon fiber is featured in TCA and rotor to give and provide extra strength where it is needed the most.





ITX-3000H

ITX

ITX CARBON SPINNING REELS

- Lightweight and rigid C-40X carbon TCA and rotor
- Multi-disc, carbon fiber drag system with Hydro Block gasket
- 7HPB + 1RB High Performance, grease packed bearings
- Quick-Set anti-reverse roller bearing
- CFR: Cyclonic Flow Rotor Technology
- Machined aluminum screw in handle design
- TGT Grip: Traction Grip Technology
- High speed on all models
- Precision machine cut brass pinion gear
- Machined aluminum, 2-tone anodized aluminum spool - Heavy duty, solid aluminum bail wire
- RESII: Computer balanced Rotor Equalization System



MODEL	GEAR RATIO	BEARINGS	WEIGHT (G)	LINE RETRIEVE (CM)	MAX DRAG FORCE (KG)	MONO LINE CAPACITY (DIAMETER IN MM.)
ITX HIGH-SPEED SPINNING REELS						
ITX-1000H	5.8:1	7HPB + 1RB	200	73	3	0.15/250, 0.20/140, 0.25/90
ITX-2500H	6.0:1	7HPB + 1RB	235	85	8	0.20/250, 0.25/165, 0.30/110
ITX-3000H	6.0:1	7HPB + 1RB	235	85	8	0.20/300, 0.25/200, 0.30/130
ITX-4000H	6.0:1	7HPB + 1RB	285	94	10	0.25/260, 0.30/180, 0.35/130
ITX STANDARD-SPEED SPINNING REELS						
ITX-1000	5.0:1	7HPB + 1RB	200	61	3	0.15/250, 0.20/140, 0.25/90
ITX-2500	5.0:1	7HPB + 1RB	235	69	8	0.20/250, 0.25/165, 0.30/110
ITX-3000	5.0:1	7HPB + 1RB	235	69	8	0.20/300, 0.25/200, 0.30/130
ITX-4000	5.0:1	7HPB + 1RB	285	76	10	0.25/260, 0.30/180, 0.35/130



EPXT-55



EPXT-30

EPIXOR XT

EPIXOR XT REELS

- TCA: Torsion Control Armor reduces twisting
- Multi-disc, Japanese oiled felt drag washers
- 7BB+1RB stainless steel bearings
- Quick-Set anti-reverse bearing
- Precision machine cut brass pinion gear
- Slow oscillation system for improved line lay
- Corrosion resistant frame, sideplate and rotor
- CFR: Cyclonic Flow Rotor technology
- Rigid metal handle design for strength
- Machined aluminum, 2-tone anodized spool with LCS lip
- Heavy duty solid aluminum bail wire
- RESII: Computer balanced Rotor Equalizing System

EPIXOR XT SHALLOW SPOOL

MODEL	PE LINE CAPACITY (DIAMETER IN MM.)
SHALLOW SPOOL	
EPXT-20M	PE0.6 (0.128mm) / 150M : PE0.8 (0.148mm) / 100M : PE1.0 (0.165mm) / 85M
EPXT-30M	PE0.6 (0.128mm) / 250M : PE0.8 (0.148mm) / 150M : PE1.0 (0.165mm) / 130M
EPXT-40M	PE1.0 (0.165mm) / 170M : PE1.2 (0.185mm) / 150M : PE1.5 (0.205mm) / 120M
EPXT-55M	PE2.0 (0.235mm) / 210M : PE2.5 (0.260mm) / 180M : PE3.0 (0.285mm) / 150M



(BY ORDER-SHALLOW SPOOL)



MODEL	GEAR RATIO	BEARINGS	WEIGHT (G)	LINE RETRIEVE (CM)	MAX DRAG FORCE (KG)	MONO LINE CAPACITY (DIAMETER IN MM.)
EPIXOR XT SPINNING REELS						
EPXT-20	5.0:1	7BB+1RB	208	61	5	0.15/250, 0.20/140, 0.25/90
EPXT-30	5.0:1	7BB+1RB	249	69	8	0.20/300, 0.25/200, 0.30/130
EPXT-40	5.0:1	7BB+1RB	304	76	10	0.25/260, 0.30/180, 0.35/130
EPXT-55	5.0:1	7BB+1RB	316	87	12	0.30/300, 0.35/220, 0.40/170
EPXT-30S*	6.0:1	7BB+1RB	255	85	8	0.20/300, 0.25/200, 0.30/130
EPXT-40S*	6.0:1	7BB+1RB	310	94	10	0.25/260, 0.30/180, 0.35/130

*High Speed Reel



EPL-55



EPL-30

EPIXOR LS

EPIXOR LS REELS

- TCA: C40x carbon Torsion Control Armor reduces twisting
- Multi-disc, Japanese oiled felt drag washers
- 5BB+1RB stainless steel bearings
- Quick-Set ant-reverse bearing
- Precision machine cut brass pinion gear
- Slow oscillation system for improved line lay
- Corrosion resistant graphite body and rotor
- CFR: Cyclonic Flow Rotor technology
- Rigid metal handle design for strength
- Machined aluminum, 2-tone anodized spool with LCS lip
- Heavy duty solid aluminum bail wire
- RESII: Computer balanced Rotor Equalizing System

EPIXOR LS SHALLOW SPOOL

MODEL	PE LINE CAPACITY (DIAMETER IN MM.)
HALLOW SPOOL	
EPL-20M	PE0.6 (0.128mm) / 150M : PE0.8 (0.148mm) / 100M : PE1.0 (0.165mm) / 85M
EPL-30M	PE0.6 (0.128mm) / 250M : PE0.8 (0.148mm) / 150M : PE1.0 (0.165mm) / 130M
EPL-40M	PE1.0 (0.165mm) / 170M : PE1.2 (0.185mm) / 150M : PE1.5 (0.205mm) / 120M
EPL-55M	PE2.0 (0.235mm) / 210M : PE2.5 (0.260mm) / 180M : PE3.0 (0.285mm) / 150M



(BY ORDER-SHALLOW SPOOL)



MODEL	GEAR RATIO	BEARINGS	WEIGHT (G)	LINE RETRIEVE (CM)	MAX DRAG FORCE (KG)	MONO LINE CAPACITY (DIAMETER IN MM.)
EPIXOR LS SPINNING REELS						
EPL-20	5.0:1	5BB+1RB	216	61	5	0.15/250, 0.20/140, 0.25/90
EPL-30	5.0:1	5BB+1RB	258	69	8	0.20/300, 0.25/200, 0.30/130
EPL-40	5.0:1	5BB+1RB	315	76	10	0.25/260, 0.30/180, 0.35/130
EPL-55	5.0:1	5BB+1RB	327	87	12	0.30/300, 0.35/220, 0.40/170
EPL-30S*	6.0:1	5BB+1RB	264	85	8	0.20/300, 0.25/200, 0.30/130
EPL-40S*	6.0:1	5BB+1RB	320	94	10	0.25/260, 0.30/180, 0.35/130

*High Speed Reel



C-10



C-65

Ceymar

CEYMAR REELS

- Multi-disc, oiled felt drag system
- 7 BB + 1RB for ultimate smoothness
- C-10 /20 sizing features 6BB+1RB
- Quick-Set anti-reverse roller bearing
- Precision machine cut brass pinion gear
- Corrosion resistant frame, sideplate and rotor
- Rigid, forged aluminum, black anodized handle design
- Lightweight, EVA handle knobs for comfort
- C-65 - models feature ergo grip handle style
- Precision Elliptical Gearing system
- Machined aluminum, 2-tone anodized spool
- Heavy duty, solid aluminum bail wire
- RESII: Computer balanced Rotor Equalizing System
- Narrow Blade Body Design for reduced fatigue



MODEL	GEAR RATIO	BEARINGS	WEIGHT (G)	LINE RETRIEVE (CM)	MAX DRAG FORCE (KG)	MONO LINE CAPACITY (DIAMETER IN MM.)
CEYMAR SPINNING REELS						
C-10	5.0:1	6BB+1RB	170	55.4	3	0.10/260, 0.14/150, 0.16/115
C-20	5.0:1	6BB+1RB	190	61	3	0.15/250, 0.20/140, 0.25/90
C-25	5.0:1	7BB+1RB	227	65.5	7	0.15/295, 0.20/170, 0.25/110
C-30	5.0:1	7BB+1RB	232	65.5	7	0.20/200, 0.25/130, 0.30/100
C-35	5.0:1	7BB+1RB	269	76.2	8	0.25/195, 0.30/135, 0.35/100
C-40	5.0:1	7BB+1RB	283	76.2	8	0.25/240, 0.30/170, 0.35/125
C-55	4.5:1	7BB+1RB	403	79.0	15	0.30/325, 0.35/240, 0.40/185
C-65 [†]	4.8:1	7BB+1RB	586	97.3	16	0.35/340, 0.40/260, 0.50/160
C-30S*	6.2:1	7BB+1RB	226	84	7	0.20/260, 0.25/170, 0.30/120
C-40S*	6.2:1	7BB+1RB	298	97.4	8	0.25/290, 0.30/200, 0.35/150

[†]Ergo Grip Handle *High Speed Reel



Ceymar TG

CEYMAR TACTICAL GREEN REELS

- Multi-disc, carbon fiber drag washers
- 7BB + 1RB for ultimate smoothness
- TG-500/1000 sizing features 6BB+1RB
- Quick-Set anti-reverse roller bearing
- Precision machine cut brass pinion gear
- Corrosion resistant body, sideplate and rotor
- CFR: Cyclonic Flow Rotor technology
- On/Off auto trip baitfeeding system on TGF models
- Rigid, metal handle design for maximum stability
- Lightweight, EVA handle knobs for comfort
- Precision Elliptical Gearing system
- Machined aluminum, anodized spool
- Heavy duty, solid aluminum bail wire
- RESII: Computer balanced Rotor Equalizing System



	MODEL	GEAR RATIO	BEARINGS	WEIGHT (G)	LINE RETRIEVE (CM)	MAX DRAG FORCE (KG)	MONO LINE CAPACITY (DIAMETER IN MM.)
CEYMAR TACTICAL GREEN SPINNING REELS							
NEW	TG-500	5.0:1	6BB+1RB	170	56	5	0.15/145, 0.20/80, 0.25/50
NEW	TG-1000	5.0:1	6BB+1RB	190	61	5	0.15/250, 0.20/140, 0.25/90
NEW	TG-3000	5.0:1	7BB+1RB	232	66	9	0.20/265, 0.25/170, 0.30/115
NEW	TG-4000	5.0:1	7BB+1RB	293	76	9	0.25/260, 0.30/180, 0.35/135
CEYMAR TACTICAL GREEN BAITFEEDER REELS							
NEW	TGF-500	5.0:1	7BB+1RB	209	56	5	0.15/145, 0.20/80, 0.25/50
NEW	TGF-1000	5.0:1	7BB+1RB	225	61	5	0.15/250, 0.2/140, 0.25/90



CXT-40



CXTR-40

Ceymar XT

CEYMAR XT REELS

- Multi-disc, Japanese oiled felt drag system
- 7BB+1RB for ultimate smoothness, 6BB+1RB on size 10 and 20
- Quick-Set anti-reverse roller bearing
- Precision machine cut brass pinion gear
- Corrosion-resistant graphite body
- Rigid, forged zinc, black anodized handle design
- Light weight, TPE handle knobs for comfort
- Precision Elliptical Gearing system
- Machined aluminum, 2-tone anodized spool
- Heavy duty, solid aluminum bail wire
- RESII: Computer balanced Rotor Equalizing System
- Line control system on the spool for better line casting
- Alum handle with EVA knob
- Plastic line clip
- Spare aluminum spool



MODEL	GEAR RATIO	BEARINGS	WEIGHT (G)	LINE RETRIEVE (CM)	MAX DRAG FORCE (KG)	MONO LINE CAPACITY (DIAMETER IN MM.)
CEYMAR XT-FRONT DRAG						
CXT-10	5.0:1	6BB+1RB	170	55.4	3	0.10/260, 0.14/150, 0.16/115
CXT-20	5.0:1	6BB+1RB	196	61	3	0.15/250, 0.20/140, 0.25/90
CXT-25	5.0:1	7BB+1RB	227	65.5	7	0.15/295, 0.20/170, 0.25/110
CXT-30	5.0:1	7BB+1RB	232	65.5	7	0.20/200, 0.25/130, 0.30/100
CXT-35	5.0:1	7BB+1RB	269	76.2	8	0.25/195, 0.30/135, 0.35/100
CXT-40	5.0:1	7BB+1RB	283	76.2	8	0.25/240, 0.30/170, 0.35/125
CXT-55	4.5:1	7BB+1RB	403	79.0	15	0.30/325, 0.35/240, 0.40/185
CXT-65	4.8:1	7BB+1RB	586	97.3	16	0.35/340, 0.40/265, 0.50/160
CEYMAR XT-REAR DRAG						
CXTR-30	5.0:1	7BB+1RB	232	65.5	7	0.20/200, 0.25/130, 0.30/100
CXTR-40	5.0:1	7BB+1RB	283	76.2	8	0.25/240, 0.30/170, 0.35/125



AV-3000LE

AV-3000

AVENGER

AVENGER REELS

- Multi-disc, Japanese oiled felt drag system
- 6BB + 1RB for ultimate smoothness & performance
- Quick-Set anti-reverse roller bearing
- Precision machine cut brass pinion gear
- Corrosion resistant frame, sideplate and rotor
- CFR: Cyclonic Flow Rotor technology
- Precision Elliptical Gearing system



MODEL	GEAR RATIO	BEARINGS	WEIGHT (G)	LINE RETRIEVE (CM)	MAX DRAG FORCE (KG)	MONO LINE CAPACITY (DIAMETER IN MM.)
AVENGER SPINNING REELS						
AV-500a	5.0:1	6BB + 1RB	175	55	3	0.15/145, 0.20/80, 0.25/50
AV-1000a	5.0:1	6BB + 1RB	195	61	3	0.15/250, 0.20/140, 0.25/90
AV-2500	5.0:1	6BB + 1RB	224	66	7	0.20/230, 0.25/150, 0.30/105
AV-3000	5.0:1	6BB + 1RB	220	66	7	0.20/265, 0.25/170, 0.30/115
AV-4000	5.0:1	6BB + 1RB	283	76	8	0.25/260, 0.30/180, 0.35/135
AV-6000	4.5:1	6BB + 1RB	400	79	15	0.30/275, 0.35/200, 0.40/155
AV-8000	4.8:1	6BB + 1RB	572	97	16	0.40/210, 0.45/165, 0.50/135
AV-10000	4.8:1	6BB + 1RB	557	97	16	0.40/255, 0.45/200, 0.50/165
AV-14000	4.8:1	6BB + 1RB	600	109	16	0.40/370, 0.45/290, 0.50/230
AVENGER SPINNING REELS - SPECIAL EDITION						
AV-1000-LEa	5.0:1	6BB + 1RB	195	61	3	0.15/250, 0.20/140, 0.25/90
AV-3000-LE	5.0:1	6BB + 1RB	220	66	7	0.20/265, 0.25/170, 0.30/115
AV-4000-LE	5.0:1	6BB + 1RB	283	76	8	0.25/260, 0.30/180, 0.35/135



AV-8000



TMC-14000

TOMCAT

TOMCAT REELS

- Corrosion-resistant graphite body
- 6 ball bearings + 1 roller bearing
- Quick-Set infinite anti-reverse system
- Machine cut brass pinion
- Precision elliptical oscillation
- Multi-disc, Japanese oiled felt drag washers
- DFD : Dual Force Drag on size 14000
- RES II : Computer balanced Rotor Equalizing System
- Design rigid handle
- TPE Ergo grip handle knob
- 2 tones aluminum spool
- Metal round line clip

MODEL	GEAR RATIO	BEARINGS	WEIGHT (G)	LINE RETRIEVE (CM)	MAX DRAG FORCE (KG)	MONO LINE CAPACITY (DIAMETER IN MM.)
TOMCAT SPINNING REELS						
TMC-3000	5.0:1	6BB+1RB	236	66	7	0.20/265, 0.25/170, 0.30/115
TMC-4000	5.0:1	6BB+1RB	301	76	8	0.25/260, 0.30/180, 0.35/135
TMC-6000	4.5:1	6BB+1RB	445	79	15	0.30/275, 0.35/200, 0.40/155
TMC-8000	4.8:1	6BB+1RB	631	97	16	0.40/210, 0.45/165, 0.50/135
TMC-14000	4.8:1	6BB+1RB	687	109	18 (DFD)	0.40/370, 0.45/290, 0.50/230
TMC-16000	4.8:1	6BB+1RB	668	109	16	0.40/420, 0.45/335, 0.50/270

SCORPIO

SCORPIO REELS

- Corrosion-resistant graphite body
- Exclusive metal black and purple paint
- 4 ball bearing + 1 roller bearing
- Quick Set infinite anti-reverse system
- CFR : Cyclonic Flow Rotor
- Machine cut aluminum spool
- Graphite spare spool
- Smooth spool neck surface
- Zinc handle TPE flat knob
- Precision Elliptical Gearing System
- Machined cut brass pinion gear
- Gunsmoke anodized bail
- RESII: Computer-balanced rotor system
- Even Flow line roller
- Multi-disc, Japanese oiled felt drag system

MODEL	GEAR RATIO	BEARINGS	WEIGHT (G)	LINE RETRIEVE (CM)	MAX DRAG FORCE (KG)	MONO LINE CAPACITY (DIAMETER IN MM.)
SCORPIO SPINNING REELS						
SP1000S-A	5.0:1	4BB+1RB	218	61	3	PE0.4(0.104)-100m / PE0.6(0.128)-60m PE0.8(0.148)-40m
SP1000-A	5.0:1	4BB+1RB	209	61	3	0.15/255, 0.20/140, 0.25/90
SP3000S-A	5.0:1	4BB+1RB	235	66	7	PE0.6(0.128)-210m / PE0.8(0.148)-150m PE1.0(0.165)-125m
SP3000-A	5.0:1	4BB+1RB	235	66	7	0.20/310, 0.25/200, 0.30/135
SP4000-A	5.0:1	4BB+1RB	302	76	8	0.25/280, 0.30/185, 0.35/130
SP5000-A	5.0:1	4BB+1RB	288	76	8	0.30/240, 0.35/170, 0.40/125
SP6000-A	4.5:1	4BB+1RB	432	79	15	0.30/315, 0.35/220, 0.40/165



SP3000-A





SNP-4000

SAFINA PRO

SAFINA PRO REELS

- Corrosion-resistant graphite body
- CFR : Cyclonic Flow Rotor
- 3 ball bearings + 1 roller bearing
- Quick-Set infinite anti-reverse system
- Machine cut brass pinion
- ESII : Computer balanced Rotor Equalizing System
- Multi-disc, Japanese oiled felt drag washers
- T-shape handle knob from size 4000 and up
- Precision elliptical oscillation
- Design rigid handle
- 2 tones aluminum spool
- New graphite handle

MODEL	GEAR RATIO	BEARINGS	WEIGHT (G)	LINE RETRIEVE (CM)	MAX DRAG FORCE (KG)	MONO LINE CAPACITY (DIAMETER IN MM.)
SAFINA PRO SPINNING REELS						
SNP-2500	5.0:1	3BB+1RB	224	66	7	0.20/230, 0.25/150, 0.30/105
SNP-3000	5.0:1	3BB+1RB	219	66	7	0.20/265, 0.25/170, 0.30/115
SNP-4000	5.0:1	3BB+1RB	282	76	8	0.25/260, 0.30/180, 0.35/135
SNP-6000	4.5:1	3BB+1RB	410	79	15	0.30/275, 0.35/200, 0.40/155
SNP-8000	4.8:1	3BB+1RB	570	97	16	0.40/210, 0.45/165, 0.50/135
SNP-14000	4.8:1	3BB+1RB	599	109	16	0.40/370, 0.45/290, 0.50/230



SN-3000

SAFINA

SAFINA REELS

- Corrosion-resistant graphite body
- CFR : Cyclonic Flow Rotor
- 1 ball bearings + 1 roller bearing
- Quick-Set infinite anti-reverse system
- Machine cut brass pinion
- Precision elliptical oscillation
- ESII : Computer balanced Rotor Equalizing System
- Multi-disc, Japanese oiled felt drag washers
- T-shape handle knob from size 8000 and up
- 2 tones aluminum spool
- New graphite handle
- Design rigid handle

MODEL	GEAR RATIO	BEARINGS	WEIGHT (G)	LINE RETRIEVE (CM)	MAX DRAG FORCE (KG)	MONO LINE CAPACITY (DIAMETER IN MM.)
SAFINA PRO SPINNING REELS						
SN-2500	5.0:1	1BB+1RB	221	66	7	0.20/230, 0.25/150, 0.30/105
SN-3000	5.0:1	1BB+1RB	217	66	7	0.20/265, 0.25/170, 0.30/115
SN-4000	5.0:1	1BB+1RB	281	76	8	0.25/260, 0.30/180, 0.35/135
SN-6000	4.5:1	1BB+1RB	398	79	15	0.30/275, 0.35/200, 0.40/155
SN-8000	4.8:1	1BB+1RB	570	97	16	0.40/210, 0.45/165, 0.50/135
SN-14000	4.8:1	1BB+1RB	598	109	16	0.40/370, 0.45/290, 0.50/230



SLS-3000

SOLARIS

SOLARIS REELS

- Corrosion-resistant graphite body
- 5 ball bearing + 1 roller bearing
- Quick Set infinite anti-reverse system
- Aluminum black spool with blue anodizing
- Zink handle
- EVA knob 3000, Flat TPE knob C4000, TPE T-shape 5000/6000
- Machined cut brass pinion gear
- RESII: Computer-balanced rotor system
- Even Flow line roller

MODEL	GEAR RATIO	BEARINGS	WEIGHT (G)	LINE RETRIEVE (CM)	MAX DRAG FORCE (KG)	MONO LINE CAPACITY (DIAMETER IN MM.)
SOLARIS SPINNING REELS						
SLS-3000	5.0:1	5BB+1RB	240	71	7	0.20/300, 0.25/200, 0.30/130
SLS-C4000	5.0:1	5BB+1RB	260	85	8	0.25/260, 0.30/180, 0.35/130
SLS-5000	5.0:1	5BB+1RB	295	79	9	0.30/240, 0.35/170, 0.40/125
SLS-6000	4.5:1	5BB+1RB	430	83	14	0.30/300, 0.35/220, 0.40/170



ALS-30

ALARIS

ALARIS REELS

- Multi-disc, Japanese oiled felt drag washers
- 3 ball bearing + 1 roller bearing
- Quick-Set ant-reverse bearing
- Precision machine cut brass pinion gear
- Corrosion resistant graphite body and rotor
- Rigid metal handle design for strength
- Machined aluminum, 2-tone anodized spool with LCS lip
- Corrosion-resistant stainless steel bail wire
- RESII: Computer balanced Rotor Equalizing System

MODEL	GEAR RATIO	BEARINGS	WEIGHT (G)	LINE RETRIEVE (CM)	MAX DRAG FORCE (KG)	MONO LINE CAPACITY (DIAMETER IN MM.)
ALARIS SPINNING REELS						
ALS-20	4.8:1	3BB+1RB	204	61	5	0.15/250, 0.20/140, 0.25/90
ALS-30	5.0:1	3BB+1RB	237	71	7	0.20/300, 0.25/200, 0.30/130
ALS-40	5.0:1	3BB+1RB	260	85	8	0.25/260, 0.30/180, 0.35/130
ALS-45	5.0:1	3BB+1RB	295	79	9	0.30/240, 0.35/170, 0.40/125
ALS-55	4.5:1	3BB+1RB	422	83	14	0.30/300, 0.35/220, 0.40/170
ALS-65	4.5:1	3BB+1RB	427	87	14	0.40/220, 0.45/170, 0.50/140

Model: ALS-40 Wide Rotor





ATE-40

ATE-65

ALTERA

ALTERA REELS

- Corrosion-resistant graphite body
- 3 ball bearing + 1 roller bearing
- Quick-Set infinite anti-reverse system
- Machine cut brass pinion gear
- Machine cut 2 tone anodized aluminum spool
- RES II : Computer balanced Rotor Equalizing System
- Rigid metal handle
- TPE handle knob (T-shape on size 55 & 65)
- Multi-disc, Japanese oiled felt drag washers

MODEL	GEAR RATIO	BEARINGS	WEIGHT (G)	LINE RETRIEVE (CM)	MAX DRAG FORCE (KG)	MONO LINE CAPACITY (DIAMETER IN MM.)
ALARIS SPINNING REELS						
ATE-20	4.8:1	3BB+1RB	203	61	5	0.15/250, 0.20/140, 0.25/90
ATE-30	5.0:1	3BB+1RB	240	71	7	0.20/300, 0.25/200, 0.30/130
ATE-40	5.0:1	3BB+1RB	260	85	8	0.25/260, 0.30/180, 0.35/130
ATE-45	5.0:1	3BB+1RB	295	79	9	0.30/240, 0.35/170, 0.40/125
ATE-55	4.5:1	3BB+1RB	430	83	14	0.30/300, 0.35/220, 0.40/170
ATE-65	4.5:1	3BB+1RB	430	87	14	0.40/220, 0.45/170, 0.50/140



CF-6000

C-FIGHT

C-FIGHT REELS

- Corrosion-resistant graphite body and rotor
- Exclusive Okuma black and grey camo covering
- 3 ball bearing + 1 roller bearing
- Quick-Set infinite anti-reverse system
- Machine cut brass pinion gear
- Machine cut 2 tone anodized aluminum spool
- RES II : Computer balanced Rotor Equalizing System
- Rigid metal handle
- TPE T-shape handle knob
- Multi-disc, Japanese oiled felt drag washers

MODEL	GEAR RATIO	BEARINGS	WEIGHT (G)	LINE RETRIEVE (CM)	MAX DRAG FORCE (KG)	MONO LINE CAPACITY (DIAMETER IN MM.)
C-FIGHT SPINNING REELS						
CF-6000	4.5:1	3BB+1RB	460	87	14	0.30/320, 0.35/225, 0.40/170



JAW-30

JAW

JAW REELS

- Multi-disc, Japanese oiled felt drag washers
- 3 ball bearing+1 roller bearing
- Precision machine cut brass pinion gear
- Corrosion resistant graphite body and rotor
- Machined aluminum, anodized spool
- Corrosion-resistant stainless steel bail wire
- RESII: Computer balanced Rotor Equalizing System

MODEL	GEAR RATIO	BEARINGS	WEIGHT (G)	LINE RETRIEVE (CM)	MAX DRAG FORCE (KG)	MONO LINE CAPACITY (DIAMETER IN MM.)
JAW SPINNING REELS						
JAW-20	4.8:1	3BB+1RB	199	61	5	0.15/250, 0.20/140, 0.25/90
JAW-30	5.0:1	3BB+1RB	233	71	7	0.20/300, 0.25/200, 0.30/130
JAW-40	5.0:1	3BB+1RB	259	85	8	0.25/260, 0.30/180, 0.35/130
JAW-45	5.0:1	3BB+1RB	290	79	9	0.30/240, 0.35/170, 0.40/125
JAW-55	4.5:1	3BB+1RB	422	83	14	0.30/300, 0.35/220, 0.40/170



Azaki-40

AZAKI

AZAKI REELS

- Corrosion-resistant graphite body
- 1 ball bearing + 1 roller bearing
- Quick-Set infinite anti-reverse system
- RES II : Computer balanced Rotor Equalizing System
- Design graphite handle
- ABS handle knob (T-shape on size 55 & 65)
- Multi-disc, Japanese oiled felt drag washers
- Machine cut brass pinion
- Aluminum spool

MODEL	GEAR RATIO	BEARINGS	WEIGHT (G)	LINE RETRIEVE (CM)	MAX DRAG FORCE (KG)	MONO LINE CAPACITY (DIAMETER IN MM.)
AZAKI SPINNING REELS						
Azaki-20	4.8:1	1BB+1RB	187	61	5	0.15/250, 0.20/140, 0.25/90
Azaki-30	5.0:1	1BB+1RB	216	71	7	0.20/300, 0.25/200, 0.30/130
Azaki-40	5.0:1	1BB+1RB	242	85	8	0.25/260, 0.30/180, 0.35/130
Azaki-45	5.0:1	1BB+1RB	274	79	9	0.30/240, 0.35/170, 0.40/125
Azaki-55	4.5:1	1BB+1RB	404	83	14	0.30/300, 0.35/220, 0.40/170
Azaki-65	4.5:1	1BB+1RB	405	87	14	0.40/220, 0.45/170, 0.50/140
AZAKI WITH BRAIDED LINE						
Azaki-30	5.0:1	1BB+1RB	226	71	7	0.20/300, 0.25/200, 0.30/130
Azaki-40	5.0:1	1BB+1RB	257	85	8	0.25/260, 0.30/180, 0.35/130





PP2-3000

Pink Pearl V2

PINK PEARL V2 REELS

- Corrosion resistant graphite body and rotor
- 1+1 ball bearing
- Quick-set anti-reverse roller bearing
- Aluminum 2 tones anodized spool
- Multi-disc, Japanese oiled felt drag washers
- RESII: Computer balanced Rotor Equalizing System
- TPE soft touch handle knob

MODEL	GEAR RATIO	BEARINGS	WEIGHT (G)	LINE RETRIEVE (CM)	MAX DRAG FORCE (KG)	MONO LINE CAPACITY (DIAMETER IN MM.)
PINK PEARL V2 SPINNING REELS						
PP2-3000	5.0:1	1BB+1RB	216	71	7	0.20/300, 0.25/200, 0.30/130



FSP-3000

Fuel Spin

FUEL SPIN REELS

- Multi-disc, Japanese oiled felt drag washers
- 1 ball bearing drive for smoothness and durability
- Precision machine cut brass pinion gear
- Corrosion resistant graphite body and rotor
- Machined aluminum, anodized spool
- CFR: Cyclonic Flow Rotor technology
- Corrosion-resistant stainless steel bail wire
- RESII: Computer balanced Rotor Equalizing System

MODEL	GEAR RATIO	BEARINGS	WEIGHT (G)	LINE RETRIEVE (CM)	MAX DRAG FORCE (KG)	MONO LINE CAPACITY (DIAMETER IN MM.)
FUEL SPIN SPINNING REELS						
FSP-1000	4.8:1	1BB	199	61	5	0.15/250, 0.20/140, 0.25/90
FSP-3000	5.0:1	1BB	233	71	7	0.20/300, 0.25/200, 0.30/130
FSP-C4000	5.0:1	1BB	259	85	8	0.25/260, 0.30/180, 0.35/130
FSP-5000	5.0:1	1BB	266	79	9	0.30/240, 0.35/170, 0.40/125
FSP-6000	4.5:1	1BB	375	83	14	0.30/300, 0.35/220, 0.40/170
FSP-8000	4.5:1	1BB	380	87	14	0.40/220, 0.45/170, 0.50/140



ARIA-3000a

ARIA "A"

ARIA "A" REELS

- Multi-disc, oiled felt drag washers
- 1 ball bearing drive for smoothness and durability
- Precision machine cut brass pinion gear
- Corrosion resistant body and rotor
- CFR: Cyclonic Flow Rotor technology
- Machined aluminum, anodized spool
- Corrosion-resistant stainless steel bail wire
- RESII: Computer balanced Rotor Equalizing System

MODEL	GEAR RATIO	BEARINGS	WEIGHT (G)	LINE RETRIEVE (CM)	MAX DRAG FORCE (KG)	MONO LINE CAPACITY (DIAMETER IN MM.)
ARIA A SPINNING REELS						
ARIA-1000a	4.8:1	1BB	183	61	5	0.15/250, 0.20/140, 0.25/90
ARIA-3000a	5.0:1	1BB	220	71	7	0.20/300, 0.25/200, 0.30/130
ARIA-C4000a	5.0:1	1BB	234	85	8	0.25/260, 0.30/180, 0.35/130
ARIA-5000a	5.0:1	1BB	266	79	9	0.30/240, 0.35/170, 0.40/125
ARIA-6000a	4.5:1	1BB	375	83	14	0.30/300, 0.35/220, 0.40/170
ARIA-8000a	4.5:1	1BB	380	87	14	0.40/220, 0.45/170, 0.50/140



Ceymar XT Match FD

CEYMAR XT MATCH FD REELS

- Corrosion-resistant graphite body
- 7 ball bearing + 1 roller bearing
- Quick Set infinite anti-reverse system
- CFR: Cyclonic Flow Rotor
- Aluminum 2 tone match spool
- Aluminum regular spare spool
- Rigid metal handle, EVA knob
- Precision Elliptical Gearing System
- Hi-speed gear ratio : 6,2:1
- Machined cut brass pinion gear
- Heavy duty, solid aluminum bail wire
- RESII: Computer-balanced rotor system
- Even Flow line roller
- Multi-disc, Japanese oiled felt drag system

MODEL	GEAR RATIO	BEARINGS	WEIGHT (G)	LINE RETRIEVE (CM)	MAX DRAG FORCE (KG)	MONO LINE CAPACITY (DIAMETER IN MM.)
CEYMAR XT MATCH FD SPINNING REELS						
CXT-30MS	6.2:1	7BB+1RB	241	84	7	PE0.6(0.128mm)-250M PE0.8(0.148mm)-150M PE1.0(0.165mm)-130M
CXT-40MS	6.2:1	7BB+1RB	301	97	8	PE1.0(0.165mm)-170M PE1.2(0.185mm)-150M PE1.5(0.205mm)-120M



CXT-30MS





Carbonite V2 Match

CARBONITE V2 MATCH BF RD & FD REELS

- Corrosion-resistant graphite body
- CFR : Cyclonic Flow Rotor
- 2 ball bearings + 1 roller bearing
- Quick-Set infinite anti-reverse system
- Aluminum 2 tone match spool
- Round metal line clip
- Regular graphite spare spool
- Rigid metal double handle, EVA knob
- Precision Elliptical Gearing System
- Machined cut brass pinion gear
- RESII: Computer-balanced rotor system
- Even Flow line roller
- Hi-speed gear ratio : 6,2:1



MODEL	GEAR RATIO	BEARINGS	WEIGHT (G)	LINE RETRIEVE (CM)	MAX DRAG FORCE (KG)	MONO LINE CAPACITY (DIAMETER IN MM.)
CARBONITE V2 MATCH BF RD & FD SPINNING REELS						
CBV-40MSDH	6.2:1	2BB+1RB	338	97	8	PE1.0(0.165mm)-170M PE1.2(0.185mm)-150M PE1.5(0.205mm)-120M
CBV-40MRSDH	6.2:1	2BB+1RB	340	97	8	PE1.0(0.165mm)-170M PE1.2(0.185mm)-150M PE1.5(0.205mm)-120M



Custom Black Feeder

CUSTOM BLACK FEEDER REELS

- Corrosion-resistant graphite body
- 7 ball bearing + 1 roller bearing
- Quick Set infinite anti-reverse system
- CFR : Cyclonic Flow Rotor
- Machine cut Aluminum shallow spool
- Aluminum regular spare spool
- Rigid metal handle, EVA knob
- Precision Elliptical Gearing System
- Machined cut brass pinion gear
- Heavy duty, solid aluminum bail wire
- RESII : Computer-balanced rotor system
- Even Flow line roller
- Multi-disc, Japanese oiled felt drag system



MODEL	GEAR RATIO	BEARINGS	WEIGHT (G)	LINE RETRIEVE (CM)	MAX DRAG FORCE (KG)	MONO LINE CAPACITY (DIAMETER IN MM.)
CUSTOM BLACK FEEDER SPINNING REELS						
CLX-40F	5.0:1	7BB+1RB	291	76	8	0.25/180, 0.28/140, 0.30/125
CLX-55F	4.5:1	7BB+1RB	437	79	15	0.30/180, 0.33/150, 0.35/130



Carbonite XP Feeder

CARBONITE XP FEEDER REELS

- Corrosion-resistant graphite body
- CFR : Cyclonic Flow Rotor
- 2 ball bearings + 1 roller bearing
- Quick-Set infinite anti-reverse system
- Aluminum 2 tone shallow spool
- Round metal line clip
- Rigid metal handle, EVA knob
- Precision Elliptical Gearing System
- Machined cut brass pinion gear
- RESII: Computer-balanced rotor system
- Even Flow line roller

MODEL	GEAR RATIO	BEARINGS	WEIGHT (G)	LINE RETRIEVE (CM)	MAX DRAG FORCE (KG)	MONO LINE CAPACITY (DIAMETER IN MM.)
CARBONITE XP FEEDER SPINNING REELS						
CBV-40F	5.0:1	2BB+1RB	291	76	8	0.25/180, 0.28/140, 0.30/125
CBV-55F	4.5:1	2BB+1RB	442	79	15	0.30/180, 0.33/150, 0.35/130



Carbonite Match

CARBONITE MATCH REELS

- Corrosion resistant graphite body and rotor
- 1+1 ball bearing
- Quick-set anti-reverse roller bearing
- Match graphite spool
- Regular extra graphite spool
- CFR: Cyclonic Flow Rotor technology
- RESII: Computer balanced Rotor Equalizing System
- EVA handle knob



MODEL	GEAR RATIO	BEARINGS	WEIGHT (G)	LINE RETRIEVE (CM)	MAX DRAG FORCE (KG)	MONO LINE CAPACITY (DIAMETER IN MM.)
CARBONITE MATCH SPINNING REELS						
CRM-4000S	5.0:1	1BB+1RB	264	76	6	PE 0.6 (0.128MM) - 250M PE 0.8 (0.148MM) - 150M PE 1.0 (0.165MM) - 130M



CR-2500

Carbonite

CARBONITE RD REELS

- Corrosion resistant graphite body and rotor
- 1+1 ball bearing
- Quick-set anti-reverse roller bearing
- Graphite spool
- CFR: Cyclonic Flow Rotor technology
- RESII: Computer balanced Rotor Equalizing System
- TPE handle knob



MODEL	GEAR RATIO	BEARINGS	WEIGHT (G)	LINE RETRIEVE (CM)	MAX DRAG FORCE (KG)	MONO LINE CAPACITY (DIAMETER IN MM.)
CARBONITE RD SPINNING REELS						
CR-2500	5.0:1	1BB+1RB	218	66	4	0.20/255, 0.25/170, 0.30/110
CR-4000	5.0:1	1BB+1RB	268	76	6	0.25/250, 0.30/170, 0.35/130



RVP-30

REVENGER PRO

REVENGER PRO REELS

- Multi-disc, oiled felt drag system
- 1 ball bearing for ultimate smoothness
- Multi-stop anti-reverse system
- Machined aluminum, anodized spool
- Corrosion-resistant graphite body
- Rigid aluminum handle arm for strength
- Corrosion-resistant, stainless steel bail wire
- RESII: Computer balanced Rotor Equalizing System



MODEL	GEAR RATIO	BEARINGS	WEIGHT (G)	LINE RETRIEVE (CM)	MAX DRAG FORCE (KG)	MONO LINE CAPACITY (DIAMETER IN MM.)
REVENGER PRO SPINNING REELS						
RVP-25	5.0:1	1BB	220	64.5	3	0.15/320, 0.20/190, 0.25/120
RVP-30	5.0:1	1BB	220	64.5	5	0.20/220, 0.25/140, 0.30/100
RVP-40	5.0:1	1BB	260	76.2	5	0.25/270, 0.30/190, 0.35/140
RVP-55	4.5:1	1BB	365	76.2	9	0.30/390, 0.35/285, 0.40/220
RVP-65	4.8:1	1BB	560	94.0	11	0.35/360, 0.40/280, 0.50/170
RVP-80	4.8:1	1BB	586	104.1	12	0.45/280, 0.50/225, 0.55/190



RV-25

REVENGER

REVENGER REELS

- Multi-disc, oiled felt drag system
- 1 ball bearing for ultimate smoothness
- Multi-stop anti-reverse system
- Graphite spool
- Corrosion-resistant graphite body
- Corrosion-resistant, stainless steel bail wire
- RESII: Computer balanced Rotor Equalizing System



MODEL	GEAR RATIO	BEARINGS	WEIGHT (G)	LINE RETRIEVE (CM)	MAX DRAG FORCE (KG)	MONO LINE CAPACITY (DIAMETER IN MM.)
REVENGER SPINNING REELS						
RV-25	5.0:1	1BB	215	64.5	3	0.15/320, 0.20/190, 0.25/120
RV-30	5.0:1	1BB	215	64.5	5	0.20/220, 0.25/140, 0.30/100
RV-40	5.0:1	1BB	250	76.2	5	0.25/270, 0.30/190, 0.35/140
RV-55	4.5:1	1BB	365	76.2	9	0.30/390, 0.35/285, 0.40/220
RV-65	4.8:1	1BB	560	94.0	11	0.35/360, 0.40/280, 0.50/170
RV-80	4.8:1	1BB	586	104.1	12	0.45/280, 0.50/225, 0.55/190

CASCADE

CASCADE REELS

- Multi-disc, oiled felt drag system
- 1 ball bearing for ultimate smoothness
- Multi-stop anti-reverse system
- Silver electroplated ABS spool
- Corrosion-resistant graphite body
- Corrosion-resistant, stainless steel bail wire
- RESII: Computer balanced Rotor Equalizing System



MODEL	GEAR RATIO	BEARINGS	WEIGHT (G)	LINE RETRIEVE (CM)	MAX DRAG FORCE (KG)	MONO LINE CAPACITY (DIAMETER IN MM.)
CASCADE SPINNING REELS						
CA-25	5.0:1	1BB	215	64.5	3	0.15/320, 0.20/190, 0.25/120
CA-30	5.0:1	1BB	215	64.5	5	0.20/220, 0.25/140, 0.30/100
CA-40	5.0:1	1BB	250	76.2	5	0.25/270, 0.30/190, 0.35/140
CA-55	4.5:1	1BB	365	76.2	9	0.30/390, 0.35/285, 0.40/220
CA-65	4.8:1	1BB	560	94.0	11	0.35/360, 0.40/280, 0.50/170
CA-80	4.8:1	1BB	586	104.1	12	0.45/280, 0.50/225, 0.55/190



CA-25



AB-5000

Aventa

AVENTA BAITFEEDER REELS

- On/Off auto trip bait feeding system
- 6+1RB bearing drive system for smoothness
- Quick set anti-reverse roller bearing
- Precision machine cut brass pinion gear
- Corrosion resistant graphite body
- Slow oscillation precision gearing system
- Machined aluminum spool
- One touch handle with wood knob
- Spare aluminum spool
- Metal line clip
- LCS Line control spool

MODEL	GEAR RATIO	BEARINGS	WEIGHT (G)	LINE RETRIEVE (CM)	MAX DRAG FORCE (KG)	MONO LINE CAPACITY (DIAMETER IN MM.)
AVENTA BF SPINNING REELS						
AB-5000	4.8:1	6BB+1RB	527	68.6	12	0.35/235, 0.40/180, 0.50/110
AB-6000	4.8:1	6BB+1RB	533	71.1	12	0.35/280, 0.40/215, 0.50/135
AB-8000	4.8:1	6BB+1RB	763	78.7	15	0.35/405, 0.40/311, 0.50/190
AB-10000	4.8:1	6BB+1RB	778	86.4	15	0.45/310, 0.50/250, 0.55/210



CDX-60

Coronado CDX

CORONADO CDX BAITFEEDER REELS

- On/Off auto trip bait feeding system
- DFD: Precision Dual Force Drag system
- Carbonite drag washers on Dual Force Drag
- Heavy duty, brass DFD and spool shaft stabilizer
- 4HPB+1RB corrosion resistant stainless steel bearings
- Quick-Set ant-reverse bearing allows for zero back play in handle
- CRC: Corrosion-Resistant Coasting process
- Machined aluminum, screw in handle system
- Slow oscillation system for improved line lay



MODEL	GEAR RATIO	BEARINGS	WEIGHT (G)	LINE RETRIEVE (CM)	MAX DRAG FORCE (KG)	MONO LINE CAPACITY (DIAMETER IN MM.)
CORONADO CDX BF SPINNING REELS						
CDX-55	4.4:1	4BB+1RB	550	82.6	12.7	0.30/320, 0.35/230, 0.40/180
CDX-60	4.4:1	4BB+1RB	563	86.7	12.2	0.30/375, 0.35/275, 0.40/210
CDX-65	4.9:1	4BB+1RB	822	106.0	15.3	0.40/300, 0.45/235, 0.50/190
CDX-80	4.9:1	4BB+1RB	855	115.3	17	0.40/380, 0.45/300, 0.50/240



ABF-1000

AVENGER ABF

AVENGER ABF REELS

- On/Off auto trip bait feeding system
- Multi-disc, Japanese oiled felt drag system
- 6BB + 1RB stainless steel bearing system
- Corrosion resistant frame, sideplate and rotor
- Rigid metal handle design to reduce flex
- RESII: Computer balanced Rotor Equalizing System
- Machined aluminum, 2-tone anodized spool
- Quick-Set anti-reverse roller bearing
- CFR: Cyclonic Flow Rotor technology
- Precision machine cut brass pinion gear

MODEL	GEAR RATIO	BEARINGS	WEIGHT (G)	LINE RETRIEVE (CM)	MAX DRAG FORCE (KG)	MONO LINE CAPACITY (DIAMETER IN MM.)
AVENGER ABF SPINNING REELS						
ABF-500	5.0:1	6BB+1RB	218	56	3	0.15/145, 0.20/80, 0.25/50
ABF-1000	5.0:1	6BB+1RB	234	61	3	0.15/250, 0.20/140, 0.25/90
ABF-3000	5.0:1	6BB+1RB	285	71	8	0.20/310, 0.25/200, 0.30/135
ABF-4000	5.0:1	6BB+1RB	331	79	10	0.25/285, 0.3/190, 0.35/130
ABF-6000	4.5:1	6BB+1RB	483	80	12	0.30/320, 0.35/225, 0.40/170
ABF-8000	4.5:1	6BB+1RB	503	87	12	0.40/230, 0.45/180, 0.50/140



TCBF-18000

TOMCAT

TOMCAT BAITFEEDER REELS

- Auto-switch freespool system
- Largest line capacity Okuma freespool reel
- Designed for Catfish fishing
- Corrosion-resistant graphite body
- 5 ball bearings + 1 roller bearing
- Quick-Set infinite anti-reverse system
- S-curve oscillation system
- 2 tones machine cut aluminum spool
- Gunsmoke anodized bail
- Multi-disc, Japanese oiled felt drag washers
- Rigid metal handle
- TPE ergo grip handle knob
- Machine cut brass pinion

MODEL	GEAR RATIO	BEARINGS	WEIGHT (G)	LINE RETRIEVE (CM)	MAX DRAG FORCE (KG)	MONO LINE CAPACITY (DIAMETER IN MM.)
TOMCAT BF SPINNING REELS						
TCBF-18000	4.5:1	5BB+1RB	820	106	10	0.50/320, 0.55/260, 0.60/215





LBXT-630

Longbow XT

Longbow XT Baitfeeder Reels

- On/Off auto trip bait feeding system
- Multi-disc, oiled felt drag system
- 5+1BB bearing drive system for smoothness
- Multi-stop anti-reverse system
- Corrosion-resistant graphite body
- Precision Elliptical Gearing system
- Machined aluminum anodized spool
- RESII: Computer balanced Rotor Equalizing System
- Metal line clip
- Spare graphite spool
- LCS line control spool

MODEL	GEAR RATIO	BEARINGS	WEIGHT (G)	LINE RETRIEVE (CM)	MAX DRAG FORCE (KG)	MONO LINE CAPACITY (DIAMETER IN MM.)
Longbow XT BF Spinning Reels						
LBXT-630	5.0:1	5BB+1RB	232	63.5	3	0.20/240, 0.25/155, 0.30/110
LBXT-640	5.0:1	5BB+1RB	283	73.7	6	0.25/300, 0.30/210, 0.35/155
LBXT-655	4.5:1	5BB+1RB	406	76.2	9	0.30/380, 0.35/280, 0.40/215
LBXT-665	4.8:1	5BB+1RB	586	91.4	11	0.35/390, 0.40/300, 0.50/185



CMBF-355

Ceymar

Ceymar Baitfeeder Reels

- Baitfeeder quick release Aluminum spool
- Multi-disc, oiled felt drag system
- RESII: Computer balanced Rotor Equalizing System
- 2+1BB bearing drive system
- Quick-Set anti-reverse roller bearing
- Precision machine cut brass pinion gear
- Corrosion-resistant graphite body
- Light weight, ABS handle knobs
- Precision Elliptical Gearing system
- Machined aluminum, anodized spool
- Metal line clip
- LCS line control spool
- Extra graphite spool

MODEL	GEAR RATIO	BEARINGS	WEIGHT (G)	LINE RETRIEVE (CM)	MAX DRAG FORCE (KG)	MONO LINE CAPACITY (DIAMETER IN MM.)
Ceymar BF Spinning Reels						
CMBF-330	5.0:1	2BB+1RB	232	63.5	3	0.20/240, 0.25/155, 0.30/110
CMBF-340	5.0:1	2BB+1RB	283	73.7	6	0.25/300, 0.30/210, 0.35/155
CMBF-355	4.5:1	2BB+1RB	403	76.2	9	0.30/380, 0.35/280, 0.40/215
CMBF-365	4.8:1	2BB+1RB	586	91.4	11	0.35/390, 0.40/300, 0.50/185



CBF-3000

Ceymar

Ceymar Baitfeeder Reels

- On/Off auto trip bait feeding system
- Multi-disc, Japanese oiled felt drag washers
- 7BB+1RB stainless steel bearings
- Quick-Set ant-reverse bearing
- Precision machine cut brass pinion gear
- Corrosion resistant graphite body and rotor
- Rigid metal handle design for strength
- Machined aluminum, 2-tone anodized spool with LCS lip
- Heavy duty solid aluminum bail wire
- RESII: Computer balanced Rotor Equalizing System

MODEL	GEAR RATIO	BEARINGS	WEIGHT (G)	LINE RETRIEVE (CM)	MAX DRAG FORCE (KG)	MONO LINE CAPACITY (DIAMETER IN MM.)
Ceymar BF Spinning Reels						
CBF-500	5.0:1	7BB+1RB	209	56	3	0.15/145, 0.20/80, 0.25/50
CBF-1000	5.0:1	7BB+1RB	225	61	3	0.15/250, 0.2/140, 0.25/90
CBF-3000	5.0:1	7BB+1RB	270	71	8	0.20/310, 0.25/200, 0.30/135



PZB-6000

Pulzar

Pulzar Baitfeeder Reels

- Auto-switch freespool system
- Corrosion-resistant graphite body
- 5 ball bearing + 1 roller bearing
- Quick Set infinite anti-reverse system
- Machine cut aluminum spool
- Round metal line clip
- Graphite spare spool
- Easy folding aluminum handle
- Wooden handle knob
- S-curve oscillation system
- Machined cut brass pinion gear
- Heavy duty, solid aluminum bail wire
- RESII: Computer-balanced rotor system
- Even Flow line roller

MODEL	GEAR RATIO	BEARINGS	WEIGHT (G)	LINE RETRIEVE (CM)	MAX DRAG FORCE (KG)	MONO LINE CAPACITY (DIAMETER IN MM.)
Pulzar BF Spinning Reels						
PZB-4000	5.0:1	5BB+1RB	333	79	10	0.25/260, 0.30/180, 0.35/130
PZB-6000	4.5:1	5BB+1RB	493	80	12	0.30/300, 0.35/220, 0.40/170
PZB-7000	4.5:1	5BB+1RB	523	87	12	0.40/195, 0.45/150, 0.50/125





DAXP-4000

DYNA DRAG XP

DYNA DRAG XP BAITFEEDER REELS

- Auto-switch freespool system
- Corrosion-resistant graphite body
- 3 ball bearing + 1 roller bearing
- Quick Set infinite anti-reverse system
- Machine cut aluminum spool
- S-curve oscillation system
- Machined cut brass pinion gear
- RESII: Computer-balanced rotor system
- Graphite spare spool from size 4000 and up
- Even Flow line roller
- Round metal line clip
- Rigid metal handle
- T-shape TPE knob

MODEL	GEAR RATIO	BEARINGS	WEIGHT (G)	LINE RETRIEVE (CM)	MAX DRAG FORCE (KG)	MONO LINE CAPACITY (DIAMETER IN MM.)
DYNA DRAG XP BF SPINNING REELS						
DAXP-1000	5.0:1	3BB+1RB	228	61	3	0.15/250, 0.20/140, 0.25/90
DAXP-3000	5.0:1	3BB+1RB	280	71	8	0.20/310, 0.25/200, 0.30/135
DAXP-4000	5.0:1	3BB+1RB	331	79	10	0.25/260, 0.30/180, 0.35/130
DAXP-6000	4.5:1	3BB+1RB	482	80	12	0.30/300, 0.35/220, 0.40/170
DAXP-7000	4.5:1	3BB+1RB	509	87	12	0.40/195, 0.45/150, 0.50/125



PLP-6000

POWERLINER PRO

POWERLINE PRO BAITFEEDER REELS

- On/Off auto trip bait feeding system
- Multi-disc, oiled felt drag system
- 4+1BB bearing drive system for smoothness
- Multi-stop anti-reverse system
- Corrosion-resistant graphite body
- Precision Elliptical Gearing system
- RESII: Computer balanced Rotor Equalizing System
- Machined aluminum, anodized spool
- Durable stainless steel bail wire
- Metal line clip
- Spare graphite spool

MODEL	GEAR RATIO	BEARINGS	WEIGHT (G)	LINE RETRIEVE (CM)	MAX DRAG FORCE (KG)	MONO LINE CAPACITY (DIAMETER IN MM.)
POWERLINE PRO BF SPINNING REELS						
PLP-6000	4.5:1	4BB+1RB	669	102	15	0.30/390, 0.33/315, 0.35/280
PLP-8000	4.5:1	4BB+1RB	683	102	16	0.33/440, 0.35/385, 0.38/320



LTB-6000

Lotus Baitfeeder

LOTUS BAITFEEDER REELS

- Auto-switch freespool system
- Corrosion-resistant graphite body
- 3 ball bearing + 1 roller bearing
- Quick-Set anti-reverse roller bearing
- Machine cut aluminum spool
- Round metal line clip
- Graphite spare spool
- Rigid metal handle
- T-shape TPE handle knob
- S-curve oscillation system
- Machined cut brass pinion gear
- RESII: Computer-balanced rotor system
- Even Flow line roller

MODEL	GEAR RATIO	BEARINGS	WEIGHT (G)	LINE RETRIEVE (CM)	MAX DRAG FORCE (KG)	MONO LINE CAPACITY (DIAMETER IN MM.)
LOTUS BF SPINNING REELS						
LTB-6000	4.5:1	3BB+1RB	480	80	12	0.30/300, 0.35/220, 0.40/170



AK-4000

AK

AK BAITFEEDER REELS

- Auto-switch freespool system
- Corrosion-resistant graphite body
- 1 ball bearing + 1 roller bearing
- Quick Set infinite anti-reverse system
- Aluminum spool
- Design graphite handle
- ABS knob
- S-curve oscillation system
- Machined cut brass pinion gear
- RESII: Computer-balanced rotor system
- Even Flow line roller
- Graphite spare spool

MODEL	GEAR RATIO	BEARINGS	WEIGHT (G)	LINE RETRIEVE (CM)	MAX DRAG FORCE (KG)	MONO LINE CAPACITY (DIAMETER IN MM.)
AK BF SPINNING REELS						
AK-4000	5.0:1	1BB+1RB	304	79	10	0.25/260, 0.30/180, 0.35/130
AK-5000	4.5:1	1BB+1RB	458	80	12	0.30/230, 0.35/170, 0.40/130
WITH MONO LINE						
AK-6000	4.5:1	1BB+1RB	445	80	12	0.30/300, 0.35/220, 0.40/170





CBBF-4000

Carbonite B-Feeder

CARBONITE B-FEEDER REELS

- Auto-switch freespool system
- Corrosion-resistant graphite body
- 1ball bearing +1 roller bearing
- Quick Set infinite anti-reverse system
- Multi-disc, oiled felt drag system
- Graphite painted spool
- Graphite spare spool
- S-curve oscillation system
- Machined cut brass pinion gear
- RESII: Computer-balanced rotor system
- Even Flow line roller

MODEL	GEAR RATIO	BEARINGS	WEIGHT (G)	LINE RETRIEVE (CM)	MAX DRAG FORCE (KG)	MONO LINE CAPACITY (DIAMETER IN MM.)
CARBONITE B-FEEDER SPINNING REELS						
CBBF-4000	5.0:1	1BB+1RB	285	79	8	0.25/250, 0.30/165, 0.35/115
CBBF-5000	4.5:1	1BB+1RB	396	79	12	0.30/275, 0.35/195, 0.40/145



ATC-7000

ATOMIC CARP

ATOMIC CARP REELS

- Corrosion resistant graphite body and rotor
- Multi-stop anti-reverse system
- Aluminum anodized spool
- Multi-disc, Japanese oiled felt drag washers
- RESII: Computer balanced Rotor Equalizing System
- EFR II : Even Flow Line Roller
- ABS T-shape handle knob



MODEL	GEAR RATIO	BEARINGS	WEIGHT (G)	LINE RETRIEVE (CM)	MAX DRAG FORCE (KG)	MONO LINE CAPACITY (DIAMETER IN MM.)
ATOMIC CARP SPINNING REELS						
ATC-7000	4.5:1	3BB	590	103	15	0.33/370, 0.35/325, 0.38/270



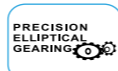
CBF-155a

CARBONITE XP

CARBONITE XP BAITFEEDER REELS

- Baitfeeder quick release graphite spool
- Graphite spool
- With green line
- 1 BB bearing drive system
- Precision Elliptical Gearing System
- Plastic line clip
- Spare graphite spool
- Machined cut brass pinion gear
- RESII: Computer balanced Rotor System
- Even flow roller

MODEL	GEAR RATIO	BEARINGS	WEIGHT (G)	LINE RETRIEVE (CM)	MAX DRAG FORCE (KG)	MONO LINE CAPACITY (DIAMETER IN MM.)
CARBONITE XP BF SPINNING REELS						
CBF-140a	5.0:1	1BB	280	71.6	6	0.30/170, 0.35/130, 0.40/100
CBF-155a	4.5:1	1BB	400	75.7	9	0.35/260, 0.40/200, 0.50/120



C-7000

CUSTOM

CUSTOM REELS

- Corrosion resistant graphite body and rotor
- 3 ball bearings + 1 roller bearing
- Quick-Set infinite anti-reverse system
- Aluminum anodized spool
- Graphite spare spool
- CFR : Cyclonic Flow Rotor
- 2 round metal line clips
- Multi-disc, Japanese oiled felt drag washers
- RESII: Computer balanced Rotor Equalizing System
- EFR II : Even Flow Line Roller
- Soft touch ABS T-shape handle knob
- Spod version CS : Prespooled with 200m Braid 30 lbs



MODEL	GEAR RATIO	BEARINGS	WEIGHT (G)	LINE RETRIEVE (CM)	MAX DRAG FORCE (KG)	MONO LINE CAPACITY (DIAMETER IN MM.)
CUSTOM SPINNING REELS						
C-7000	4.8:1	3BB+1RB	622	107	16	0.33/370, 0.35/325, 0.38/270
CUSTOM SPOD SPINNING REELS						
CS-7000S	4.8:1	3BB+1RB	665	107	16	0.20/410, 0.22/340, 0.25/270



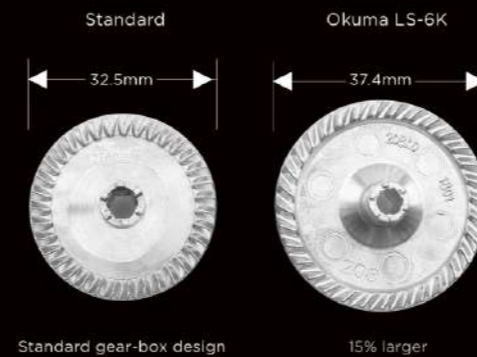
ROCKAWAY

ROCKAWAY BAITFEEDER REELS

- Quick-Set anti-reverse roller bearing
- 5.3:1 gear ration with 123 cm of line pickup
- Precision machine cut brass pinion gear
- CFR: Cyclonic Flow Rotor technology
- Corrosion resistant frame, sideplate & rotor
- Rigid metal handle design to reduce flex
- Long cast, 2-tone anodized aluminum spool
- On/Off auto trip baitfeeding system
- 5BB + 1RB stainless steel bearing system

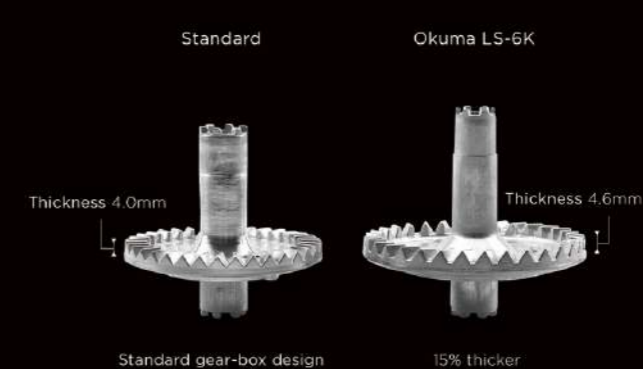


MODEL	GEAR RATIO	BEARINGS	WEIGHT (G)	LINE RETRIEVE (CM)	MAX DRAG FORCE (KG)	MONO LINE CAPACITY (DIAMETER IN MM.)
ROCKAWAY BF SPINNING REELS						
NEW RBF-8000	5.3:1	5BB+1RB	586	123	16	0.33/440, 0.35/385, 0.38/320



Standard gear-box design

15% larger



Standard gear-box design

15% thicker



DOUBLE BALL BEARINGS PINION SUPPORT

- Ultimate pinion stability for perfect main gear adjustment : super smooth gearing feeling and high durability.

OVERSIZE GEAR

- Okuma has redesigned the main transmission gear ; Larger diameter + 15% and deeper teeth+15% for maximum power retrieve+30%. Allows now high speed gear ratio for big line retrieve: 103cm



LS

LS BAITFEEDER REELS

- Auto-switch freespool system
- Long Stroke spool trip 30mm
- Corrosion-resistant graphite body
- 5 ball bearing + 1 roller bearing
- Quick Set infinite anti-reverse system
- Machine cut aluminum spool
- Worm shaft oscillation system
- Machined cut brass pinion gear
- Heavy duty, solid aluminum bail wire
- Precision zinc handle arm with wooden handle knob
- RESII: Computer-balanced rotor system
- Slow oscillation system for improved line lay
- 2 round metal line clips
- Rotor brake system
- Fast progressive drag
- Metal air bail nut

MODEL	GEAR RATIO	BEARINGS	WEIGHT (G)	LINE RETRIEVE (CM)	MAX DRAG FORCE (KG)	MONO LINE CAPACITY (DIAMETER IN MM.)
LS SPINNING REELS						
LS-6K	5.3:1	5BB+1RB	530	104	12	0.30/370, 0.33/300, 0.35/270
LS-8K	5.3:1	5BB+1RB	588	123	16	0.33/440, 0.35/385, 0.38/320





8K

8K REELS

- Quick set anti reverse roller bearing
- Slow oscillation system
- 5 ball bearing+1 roller bearing
- Fast drag system
- Double stainless steel line clickers
- Precision worm shaft transmission system
- Rotor brake system
- Hydro block water tight drag seal
- With carbon washers
- Precision zinc handle arm with wooden knob



MODEL	GEAR RATIO	BEARINGS	WEIGHT (G)	LINE RETRIEVE (CM)	MAX DRAG FORCE (KG)	MONO LINE CAPACITY (DIAMETER IN MM.)
8K SPINNING REELS						
8K	4.7:1	5BB+1RB	743	108	18	0.33/620, 0.35/550, 0.38/470



SLOW OSCILLATION SYSTEM

Makes the line wind more straight and tight, reduce the friction when casting. Uper Long Stroke Spool 45mm.

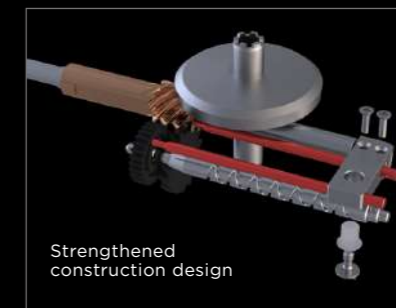


SPARE ALUMINUM SHALLOW SPOOL (ON OPTION)



FAST PROGRESSIVE DRAG

This fast progressive drag allows a setting from low drag power to almost full drag power in less than 360° rotation



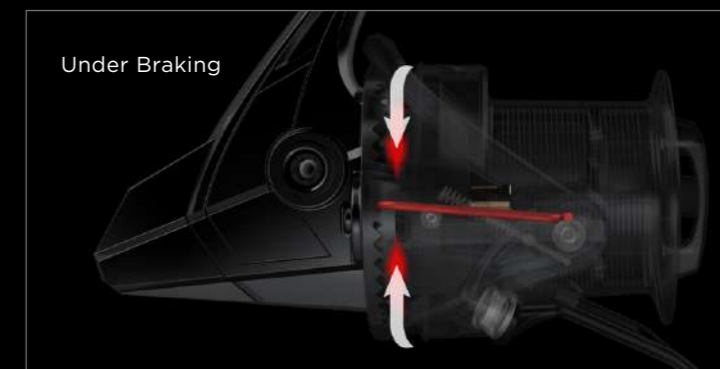
WORM SHAFT TRANSMISSION SYSTEM

8K equips upgraded worm shaft transmission system, strengthens the construction, let the reel more rigid, makes the line wind more straight and tight, working more smoothly.



ROTOR WITH BRUSH GUARDS

Prevent line twist between rotor and main shaft effectively.



ROTOR BRAKE SYSTEM

Prevent rotor to turn around and reverse when casting.



SUPER LONG STROKE SPOOL 45MM



SURF-8K

SURF-8K

SURF 8K REELS

- Quick set anti reverse roller bearing
- Slow oscillation system
- Fast drag system
- Double stainless steel line clickers
- Precision worm shaft transmission system
- Rotor brake system
- Hydro block water tight drag seal
- With carbon washers
- Precision zinc handle arm with TPE ergo grip



MODEL	GEAR RATIO	BEARINGS	WEIGHT (G)	LINE RETRIEVE (CM)	MAX DRAG FORCE (KG)	MONO LINE CAPACITY (DIAMETER IN MM.)
SURF 8K SPINNING REELS						
SURF-8K	4.7:1	5BB+1RB	763	108	18	0.33/620, 0.35/550, 0.38/470

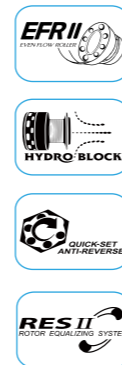


DSA-60

DISTANCE SURF ARENA

DISTANCE SURF ARENA REELS

- Slim Blade corrosion-resistant graphite body
- 3 ball bearing + 1 roller bearing
- Quick Set infinite anti-reverse system
- Machine cut aluminum spool
- LCS : round metal line clip
- FPD : Fast Progressive Drag
- Rigid metal handle
- TPE T-Shape handle knob
- Worm Shaft transmission system
- Even Flow line roller
- Hydro block drag system



MODEL	GEAR RATIO	BEARINGS	WEIGHT (G)	LINE RETRIEVE (CM)	MAX DRAG FORCE (KG)	MONO LINE CAPACITY (DIAMETER IN MM.)
DISTANCE SURF ARENA SPINNING REELS						
DSA-60	4.5:1	3BB+1RB	578	103	16	0.33/320, 0.35/280, 0.38/240
DSA-80	3.8:1	3BB+1RB	673	92	16	0.33/390, 0.35/345, 0.38/295



RA-6000

ROCKAWAY

ROCKAWAY REELS

- 4BB + 1RB stainless steel bearing system
- Quick-Set anti-reverse roller bearing
- Precision machine cut brass pinion gear
- Corrosion resistant frame, sideplate and rotor
- Rigid metal handle design to reduce flex
- Long cast, 2-tone anodized aluminum spool

MODEL	GEAR RATIO	BEARINGS	WEIGHT (G)	LINE RETRIEVE (CM)	MAX DRAG FORCE (KG)	MONO LINE CAPACITY (DIAMETER IN MM.)
ROCKAWAY SPINNING REELS						
RA-6000	5.3:1	4BB+1RB	486	104	12	0.30/370, 0.33/300, 0.35/270
RA-8000	5.3:1	4BB+1RB	531	123	16	0.33/440, 0.35/385, 0.38/320



TR-7000

T-REX

T-REX REELS

- SRS : Solid Reel System
- Crossover Construction design
- Quick-Set anti-reverse roller bearing
- Worm shaft transmission system
- Precision machine cut brass pinion gear
- LCS : Line Control Spool for longer casting distance
- Fast Progressive Drag System
- Multi disc, Japanese oiled felt drag system
- Forged aluminum handle with wooden knob
- Hydro Block water tight drag seal
- Heavy duty, solid aluminum, anodized bail wire
- RESII: Computer balanced Rotor Equalizing System
- Aluminum spool
- Round metal line clip



MODEL	GEAR RATIO	BEARINGS	WEIGHT (G)	LINE RETRIEVE (CM)	MAX DRAG FORCE (KG)	MONO LINE CAPACITY (DIAMETER IN MM.)
T-REX SPINNING REELS						
TR-7000	4.5:1	6BB+1RB	616	102	12	0.33/370, 0.35/325, 0.38/270



CB-60

CUSTOM BLACK

CUSTOM BLACK REELS

- 3 +1 stainless steel bearings
- Quick-Set anti-reverse roller bearing
- Machine cut anodizing alum spool
- Aluminum regular handle
- Hydro block system
- Even flow roller
- Worm shaft transmission system
- LCS line control spool
- Metal line clip
- Spare graphite spool

MODEL	GEAR RATIO	BEARINGS	WEIGHT (G)	LINE RETRIEVE (CM)	MAX DRAG FORCE (KG)	MONO LINE CAPACITY (DIAMETER IN MM.)
CUSTOM BLACK SPINNING REELS						
CB-60	4.5:1	3BB+1RB	570	102.9	12	0.25/515, 0.30/360, 0.35/270, 0.40/210
CB-80	3.8:1	3BB+1RB	690	92.5	15	0.40/265, 0.45/210, 0.50/170, 0.55/135



DTA-60

DISTANCE DTA

DISTANCE DTA REELS

- 3 +1RB stainless steel bearings
- Quick-Set anti-reverse roller bearing
- Machine cut anodizing alum spool
- Aluminum regular handle
- Hydro block system
- Even flow roller
- Worm shaft transmission system
- Metal line clip
- LCS line control spool

MODEL	GEAR RATIO	BEARINGS	WEIGHT (G)	LINE RETRIEVE (CM)	MAX DRAG FORCE (KG)	MONO LINE CAPACITY (DIAMETER IN MM.)
DISTANCE SURF DTA SPINNING REELS						
DTA-60	4.5:1	3BB+1RB	570	100.3	12	0.25/600, 0.30/420, 0.35/310, 0.40/240



BBS-8000S

BIG BOMBER SPOD

BIG BOMBER SPOD REELS

- Graphite body construction
- BBD : body blade design
- 3+1 ball bearings
- Quick-Set anti reverse roller bearing
- Machine cut anodized aluminum spool
- 2 round metal line-clips
- Hard metal handle
- TPE Ergo grip handle knob
- XXL Even flow roller
- Worm shaft transmission system
- FPD : Fast Progressive Drag System
- Heavy duty, solid aluminum, anodized bail wire
- RESII: Computer balanced Rotor Equalizing System

MODEL	GEAR RATIO	BEARINGS	WEIGHT (G)	LINE RETRIEVE (CM)	MAX DRAG FORCE (KG)	MONO LINE CAPACITY (DIAMETER IN MM.)
BIG BOMBER SPOD SPINNING REELS						
BBS-7000S	4.5:1	3BB+1RB	618	103	12	0.20/410, 0.22/340, 0.25/270
BBS-8000S	5.1:1	3BB+1RB	720	128	16	0.20/410, 0.22/340, 0.25/270



INC-6000

INC

INC REELS

- Compact body
- Long Stroke spool 30mm
- Corrosion-resistant graphite body
- 3 ball bearing + 1 roller bearing
- Quick Set infinite anti-reverse system
- Machine cut aluminum spool
- 2 round metal line clips
- Rigid metal handle with wooden knob
- Worm shaft oscillation system
- Machined cut brass pinion gear
- Heavy duty, solid aluminum bail wire
- RESII: Computer-balanced rotor system
- Even Flow line roller
- Rotor brake system
- Fast progressive drag

MODEL	GEAR RATIO	BEARINGS	WEIGHT (G)	LINE RETRIEVE (CM)	MAX DRAG FORCE (KG)	MONO LINE CAPACITY (DIAMETER IN MM.)
INC SPINNING REELS						
INC-6000	5.3:1	3BB+1RB	460	104	12	0.30/370, 0.33/300, 0.35/270
INC-8000	5.3:1	3BB+1RB	533	123	16	0.33/440, 0.35/385, 0.38/320





BAITCAST REELS

At Okuma Fishing Tackle we deliver more than fishing gear. We deliver the motivation to hit the water, the energy to maintain focus & the excitement that injects every cast with high expectations. From avid recreational angler to touring professional, Okuma baitcast reels are a step above. Find premium features like Japanese ABEC-5 spool bearings & aluminum gears as standard features in tournament models instead of aftermarket upgrades. Our selection is not simply a platform upon which to begin customization, but the best a reel can be at every price.



HAKAI DT

HAKAI DT LOW PROFILE BAITCAST

- LITECAST® magnesium frame: corrosion resistant coating
- Corrosion Resistant sideplates for maximum durability
- 42mm oversized hardened machine cut brass main gear
- Multi-disc Stainless Steel and Carbon Hybrid drag system
- Super tuner flitespool developed by Dream Tackle Design
- Patented fliteshaft hollow stainless steel main shaft
- Built in, universal line diameter indicator
- External adjustable magnetic cast control system
- Precision C-40x carbon injection star drag
- 6BB + 1RB stainless steel bearings for ultimate smoothness
- Quick-Set anti-reverse roller bearing for solid hook sets



	MODEL	GEAR RATIO	BEARINGS	WEIGHT (G)	LINE RETRIEVE (CM)	MAX DRAG FORCE (KG)	MONO LINE CAPACITY (DIAMETER IN MM.)
HAKAI DT RIGHT HANDED LOWPROFILE BAITCAST REELS							
NEW	HDT100-A	6.2:1	6BB + 1RB	167	64	9	0.31/100, 0.33/90, 0.37/70
NEW	HDT100H-A	7.3:1	6BB + 1RB	168	76	9	0.31/100, 0.33/90, 0.37/70
NEW	HDT100X-A	8.1:1	6BB + 1RB	170	84	9	0.31/100, 0.33/90, 0.37/70
HAKAI DT LEFT HANDED LOWPROFILE BAITCAST REELS							
NEW	HDT101-A	6.2:1	6BB + 1RB	167	64	9	0.31/100, 0.33/90, 0.37/70
NEW	HDT101H-A	7.3:1	6BB + 1RB	168	76	9	0.31/100, 0.33/90, 0.37/70
NEW	HDT101X-A	8.1:1	6BB + 1RB	170	84	9	0.31/100, 0.33/90, 0.37/70
HAKAI DTS RIGHT HANDED LOWPROFILE BAITCAST REELS WITH SHALLOW SPOOLS							
NEW	HDTST100-A	6.2:1	6BB + 1RB	165	64	5	0.26/100, 0.285/85, 0.31/70
NEW	HDTST100X-A	8.1:1	6BB + 1RB	167	84	5	0.26/100, 0.285/85, 0.31/70
HAKAI DTS LEFT HANDED LOWPROFILE BAITCAST REELS WITH SHALLOW SPOOLS							
NEW	HDTST101-A	6.2:1	6BB + 1RB	165	64	5	0.26/100, 0.285/85, 0.31/70
NEW	HDTST101X-A	8.1:1	6BB + 1RB	167	84	5	0.26/100, 0.285/85, 0.31/70





FLITE™ SHAFT

FLITE SHAFT™: Patented hollow stainless steel main shaft with precision SUS balls pressed on 2 ends. Providing the perfect balance point between weight, strength and smoothness.

Hollow main shaft



FLITE™ SPOOL

FLITE SPOOL™ is a Dream Tackle Design allowing Okuma to offer a super tuned spool, 33 mm O/D, 0.4mm uniform thickness. Spool weights only 9.5g (0.33oz) and was developed for long distance casting as well as finesse



UNIVERSAL LINE DIAM. INDICATOR

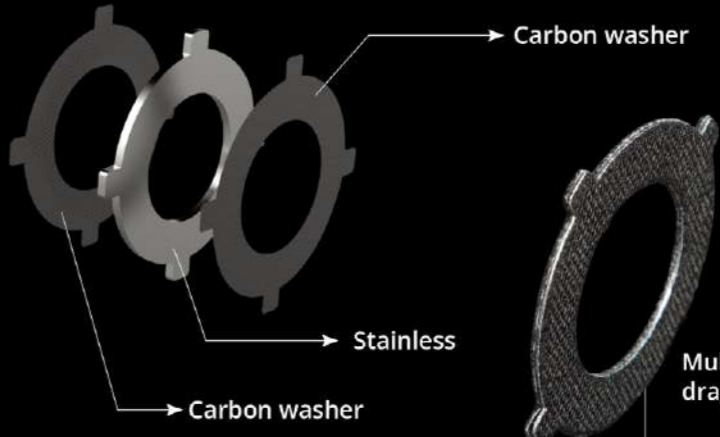
Always know what line you spooled on your reel when you pick it up.

Can be rotated



LITECAST®

LITECAST® Magnesium frame with extra ordinary treatment for corrosion resistance. Extra compact body, only 167g(5.9oz).



Carbon washer

Stainless

Carbon washer

Multi-disc, Stainless steel & Carbon Hybrid drag washers, up to 9kg(20lbs) max drag.



OVERSIZE MAIN GEAR

42mm

42mm oversized hardened brass main gear. Multi-disc, stainless-steel and carbon fiber hybrid drag washers for maximum drag output up to 9kg (20lbs).



KOMODO[®] SS

KOMODO SS LOW PROFILE BAITCAST

- Stainless steel main gear for ultimate power and strength
- Precision machine cut stainless steel pinion gear
- Heavy duty stainless steel drive and spool shafts
- ALC: Rigid diecast aluminum frame and gear sideplate
- CRC: Corrosion-Resistant Coating process
- A6061-T6 machined aluminum, anodized spool
- Multi-disc high output Carbonite drag system
- Micro-click drag star for precise drag settings
- 350 size: 6HPB+1RB corrosion resistant stainless steel bearings
- 450 size: 7HPB+1RB corrosion resistant stainless steel bearings
- Precision Japanese ABEC-5 spool bearings
- Dual anti-reverse for maximum reliability
- Quick-Set anti-reverse roller bearing
- 6-pin Velocity Control casting system
- Synchronized levelwind optimized for braided line
- Zirconium line guide inserts for use with braided line
- Available in both right and left hand retrieve
- On/Off clicker for trolling, chunking or bait fishing from size 300 and up



KDS-463LX



MODEL	GEAR RATIO	BEARINGS	WEIGHT (G)	LINE RETRIEVE (CM)	MAX DRAG FORCE (KG)	MONO LINE CAPACITY (DIAMETER IN MM.)
KOMODO SS RIGHT HAND RETRIEVE WITH TWIN PADDLE HANDLE						
KDS-364	6.4:1	6HPB+1RB	310	78.7	11	0.33/250, 0.37/230, 0.41/150
KOMODO SS LEFT HAND RETRIEVE MODELS WITH TWIN PADDLE HANDLE						
KDS-273LX	7.3:1	6HPB+1RB	238	80	9	0.29/205, 0.33/160, 0.37/125
KDS-364LX	6.4:1	6HPB+1RB	310	78.7	11	0.33/250, 0.37/230, 0.41/150
KDS-463LX	6.3:1	7HPB+1RB	453	85.1	14	0.37/265, 0.42/200, 0.55/115



SRN100H-A

SERRANO

SERRANO LOW PROFILE BAITCAST

- Rigid, corrosion resistant frame and sideplate construction
- 6BB + 1RB precision stainless steel bearing drive system
- Quick Set anti-reverse bearing for solid hook sets
- Precision cut, high strength brass main and pinion gears
- Externally adjustable magnetic cast control system
- 33.5mm machined aluminum, black anodized spool
- Multi-disc drags washers for consistent performance
- Double paddle, 95mm aluminum swept handle arm
- TGT Grip: Traction Grip Technology



MODEL	GEAR RATIO	BEARINGS	WEIGHT (G)	LINE RETRIEVE (CM)	MAX DRAG FORCE (KG)	MONO LINE CAPACITY (DIAMETER IN MM.)
SERRANO RIGHT HANDED LOW PROFILE BAITCAST REELS						
SRN100-A	6.5:1	6+1	199	68	5	0.31/110, 0.33/100, 0.37/80
SRN100H-A	7.2:1	6+1	199	76	5	0.31/110, 0.33/100, 0.37/80
SERRANO LEFT HAND RETRIEVE MODELS WITH TWIN PADDLE HANDLE						
SRN101-A	6.5:1	6+1	199	68	5	0.31/110, 0.33/100, 0.37/80
SRN101H-A	7.2:1	6+1	199	76	5	0.31/110, 0.33/100, 0.37/80

TGT GRIP

Traction Grip Technology



SPOOL ACCESS PORT

This unique new design can be found on Okuma's low profile baitcast reels. The Spool Access Port allows for quick access to the spool by simply sliding the lock/unlock lever on the sideplate opposite the handle. This system allows for quick spool changes, but more importantly it allows quick access for adjusting the Velocity Control System.



C100-A

Ceymar

CEYMAR LOW PROFILE BAITCAST

- Corrosion-resistant graphite frame and sideplates
- A6061-T6 machined aluminum, anodized U-shaped spool
- Multi-disc composite drag system
- 5BB+1RB bearing drive system
- External adjustable magnetic cast control system
- Quick-Set anti-reverse roller bearing
- Sideplate access port for quick spool changes
- Ergonomic handle design allows cranking closer to body

MODEL	GEAR RATIO	BEARINGS	WEIGHT (G)	LINE RETRIEVE (CM)	MAX DRAG FORCE (KG)	MONO LINE CAPACITY (DIAMETER IN MM.)
CEYMAR RIGHT HANDED LOW PROFILE BAITCAST REELS						
C100-A	6.5:1	5+1	199	68	5	0.31/110, 0.33/100, 0.37/80
C100H-A	7.2:1	5+1	199	76	5	0.31/110, 0.33/100, 0.37/80
CEYMAR LEFT HAND RETRIEVE MODELS WITH TWIN PADDLE HANDLE						
C101-A	6.5:1	5+1	199	68	5	0.31/110, 0.33/100, 0.37/80
C101H-A	7.2:1	5+1	199	76	5	0.31/110, 0.33/100, 0.37/80



SP101-A

SCORPIO

SCORPIO LOW PROFILE BAITCAST

- Corrosion-resistant graphite frame and sideplates
- A6061-T6 machined aluminum, anodized U-shaped spool
- Multi-disc composite drag system
- 5BB+1RB bearing drive system
- External adjustable magnetic cast control system
- Quick-Set anti-reverse roller bearing
- Sideplate access port for quick spool changes
- Ergonomic handle design allows cranking closer to body

MODEL	GEAR RATIO	BEARINGS	WEIGHT (G)	LINE RETRIEVE (CM)	MAX DRAG FORCE (KG)	MONO LINE CAPACITY (DIAMETER IN MM.)
SCORPIO RIGHT HANDED LOW PROFILE BAITCAST REELS						
SP100-A	6.5:1	5+1	199	68	5	0.31/110, 0.33/100, 0.37/80
SP100H-A	7.2:1	5+1	199	76	5	0.31/110, 0.33/100, 0.37/80
SCORPIO LEFT HAND RETRIEVE MODELS WITH TWIN PADDLE HANDLE						
SP101-A	6.5:1	5+1	199	68	5	0.31/110, 0.33/100, 0.37/80
SP101H-A	7.2:1	5+1	199	76	5	0.31/110, 0.33/100, 0.37/80



FSP100-A

Fuel Spin

FUEL SPIN LOW PROFILE BAITCAST

- Corrosion-resistant graphite frame and sideplates
- A6061-T6 machined aluminum, anodized U-shaped spool
- Multi-disc composite drag system
- 3BB+1RB bearing drive system
- External adjustable magnetic cast control system
- Quick-Set anti-reverse roller bearing
- Sideplate access port for quick spool changes
- Ergonomic handle design allows cranking closer to body

MODEL	GEAR RATIO	BEARINGS	WEIGHT (G)	LINE RETRIEVE (CM)	MAX DRAG FORCE (KG)	MONO LINE CAPACITY (DIAMETER IN MM.)
FUEL SPIN RIGHT HANDED LOW PROFILE BAITCAST REELS						
FSP100-A	6.5:1	3+1	199	68	5	0.31/110, 0.33/100, 0.37/80
FSP100H-A	7.2:1	3+1	199	76	5	0.31/110, 0.33/100, 0.37/80
FUEL SPIN LEFT HAND RETRIEVE MODELS WITH TWIN PADDLE HANDLE						
FSP101-A	6.5:1	3+1	199	68	5	0.31/110, 0.33/100, 0.37/80
FSP101H-A	7.2:1	3+1	199	76	5	0.31/110, 0.33/100, 0.37/80



Ci-364LXa

CITRIX

CITRIX 350-SIZE LOW PROFILE BAITCAST

- ALC: Rigid diecast aluminum frame and handle side plate
- A6061-T6 machined aluminum, anodized V-shaped spool
- Multi-disc Carbonite drag system
- 7BB+1RB bearings drive system
- Micro-click drag star for precise drag settings
- External adjustable centrifugal cast control system
- Quick-Set anti-reverse roller bearing
- Zirconium line guide inserts for use with braided line
- Easy change palm side plate access port
- Ergonomic handle design allows cranking closer to body
- 6.4:1 gear ratio available in left hand retrieve
- Graphite sideplates
- Available gear ratios: 6.4:1

MODEL	GEAR RATIO	BEARINGS	WEIGHT (G)	LINE RETRIEVE (CM)	MAX DRAG FORCE (KG)	MONO LINE CAPACITY (DIAMETER IN MM.)
CITRIX 350-SIZE LOW PROFILE BAITCAST REELS						
Ci-364LXa	6.4:1	7+1	312	78.7	11	0.33/250, 0.37/230, 0.41/150





Leadership, innovation & value are not simply concepts for board rooms & PowerPoint presentations. At Okuma Fishing Tackle, these guiding principles are embodied & evident in every product. Our engineering embraces modern fishing lines & the latest in fishing rod construction to develop reels that deliver the most power with minimal weight. We're redefining the relationship between the size of a reel & the size of the fish in order to take larger trophies on smaller reels. Our reels don't intrude on the experience, they enhance it.



TSR-5S



TSR-10S



TSR-12S

TESORO

TESORO STAR DRAG REELS

- 6061-T6 machined aluminum frame, sideplate and spool
- 17-4 grade stainless steel helical cut gearing
- Multi-disc Carbonite drag system with Cal's drag grease
- CRC: Corrosion-Resistant Coating Process
- Swept aluminum star for increased ergonomics
- Anodized aluminum swept handle reduces wobble while cranking
- 4BB+1RB corrosion resistant bearings, spool bearing with TSI oil
- Ergo grip handle knob with anodized aluminum handle arm
- Dual anti-reverse (mechanical and roller bearing)
- XL Gearing: Drop down gear box
- Quick-Set ant-reverse bearing allows for zero back play in handle
- MSS: Mechanical Stabilizing System for increased durability
- Self-lubricating gear system, all models
- High Speed 6.2:1 gear ratio



MODEL	GEAR RATIO	BEARINGS	WEIGHT (G)	LINE RETRIEVE (CM)	MAX DRAG FORCE (KG)	MONO LINE CAPACITY (DIAMETER IN MM.)
TESORO STAR DRAG REELS						
TSR-5NS	6.2:1	4+1	445	99	9	0.32/380, 0.35/280, 0.40/200
TSR-5S	6.2:1	4+1	472	99	9	0.35/325, 0.40/255, 0.45/190
TSR-10S	6.2:1	4+1	540	116.8	10	0.35/390, 0.40/290, 0.45/225
TSR-12S	6.2:1	4+1	550	116.8	10	0.40/375, 0.45/270, 0.54/170



CZ-10CSa



CORTEZ

CORTEZ STAR DRAG REELS

- Corrosion resistant graphite frame and sideplates
- CZ-55W features aluminum frame and graphite sideplates
- Machined aluminum, anodized spool
- Multi-disc Carbonite drag system
- Forged aluminum, anodized star
- Anodized aluminum swept handle reduces wobble while cranking
- 4BB+1RB stainless steel bearings
- MCS: External magnetic cast control system on 5CS, 10CS and 12CS sizes
- Ergo grip handle knob
- Dual anti-reverse system (mechanical & roller bearing)
- XL Gearing: Drop down gear box
- Quick-Set anti-reverse roller bearing
- MSS: Mechanical Stabilizing System for increased durability
- Self-lubricating gear system, all models

MCS

Okuma's Magnetic Control System is a fully-sealed, 100% waterproof cast control system that reduces backlash and improves casting distance by utilizing the magnetic field generated by the high RPM spinning of the spool during casting. The magnetic field is influenced by the adjustable cast control magnet which exerts an opposing force and allows for minute and accurate adjustments.



MODEL	GEAR RATIO	BEARINGS	WEIGHT (G)	LINE RETRIEVE (CM)	MAX DRAG FORCE (KG)	MONO LINE CAPACITY (DIAMETER IN MM.)
CORTEZ STAR DRAG REELS						
CZ-5CSa	6.2:1	4+1	396	96.5	7	0.35/370, 0.40/275, 0.45/200
CZ-10CSa	6.2:1	4+1	499	109.2	8	0.40/360, 0.45/270, 0.50/220
CZ-12CSa	6.2:1	4+1	522	109.2	8	0.45/410, 0.50/340, 0.55/280



CV-55L

CONVECTOR

CONVECTOR STAR DRAG REELS

- Lightweight corrosion resistant frame and sideplates
- Machined aluminum, gun smoke anodized spool
- Stainless steel reinforcing sideplate rings
- Multi-disc Carbonite drag system
- Ratcheting drag star for precise drag settings
- 2BB+1RB Stainless steel bearing drive system
- Quick-Set anti-reverse roller bearing
- Dual anti-reverse system. (Mechanical & roller bearing)
- Speed Lock pinion gear system
- Durable high-grade brass main and pinion gear system
- XL gearing: Drop down gear box 20, 30, 45 sizes
- Self lubricating gear system, all models
- Wide Mouth levelwind ("L" models): Clearance for copper line
- Ergo grip handle knobs featured on all models
- Stainless steel Body Armor on CV-55L
- MSS: Mechanical Stabilizing System for increased durability

MODEL	GEAR RATIO	BEARINGS	WEIGHT (G)	LINE RETRIEVE (CM)	MAX DRAG FORCE (KG)	MONO LINE CAPACITY (DIAMETER IN MM.)
RIGHT HANDED LEVELWIND REELS						
CV-45L	4.0:1	2+1	635	66.0	9	0.45/450, 0.50/360, 0.55/300
CV-55L	4.0:1	2+1	984	86.4	10	0.50/570, 0.55/470, 0.60/400



CONVECTOR LINE COUNTER

CONVECTOR LINE COUNTER REELS

- Lightweight corrosion resistant frame and sideplates
- Machined aluminum, gun smoke anodized spool
- Stainless steel reinforcing sideplate rings
- Mechanical line counter function measures in feet
- Multi-disc Carbonite drag system
- Ratcheting drag star for precise drag settings
- 2BB+1RB Stainless steel bearing drive system
- Quick-Set anti-reverse roller bearing
- Dual anti-reverse system. (Mechanical & roller bearing)
- Speed Lock pinion gear system
- Durable high-grade brass main and pinion gear system
- XL gearing: Drop down gear box on all models
- Self lubricating gear system, all models
- Wide Mouth levelwind: Clearance for copper line
- Spool stabilizing system for increased durability
- Ergo grip handle knobs featured on all models
- DLX represents left hand crank line counter models
- MSS: Mechanical Stabilizing System for increased durability

MODEL	GEAR RATIO	BEARINGS	WEIGHT (G)	LINE RETRIEVE (CM)	MAX DRAG FORCE (KG)	MONO LINE CAPACITY (DIAMETER IN MM.)
RIGHT HANDED LINE COUNTER REELS						
CV-30D	4.0:1	2+1	610	61.0	7	0.40/420, 0.45/320, 0.50/260
CV-45D	4.0:1	2+1	649	66.0	7	0.45/450, 0.50/360, 0.55/300
CV-30DS*	6.2:1	2+1	584	94.2	7	0.40/420, 0.45/320, 0.50/260
CV-45DS*	6.2:1	2+1	638	104.9	7	0.45/450, 0.50/360, 0.55/300
LEFT HANDED LINE COUNTER REELS						
CV-20DLX	5.1:1	2+1	468	58.4	6	0.35/270, 0.40/210, 0.45/150
CV-30DLX	4.0:1	2+1	610	61.0	7	0.40/420, 0.45/320, 0.50/260

*High Speed Reel



CV-20DLX

CVT SYSTEM

Clear View Technology anti-fogging line counter



QUICK DROP™

QUICK DROP SYSTEM
Quick Drop, switch for precision lure / bait placement

CONVECTOR

CONVECTOR LOW PROFILE LINE COUNTER REELS

- Precision machine cut brass main and pinion gears
- Mechanical line counter function measures in feet
- CVT: Clear View Technology anti-fogging line counter
- 2BB + 1RB stainless steel bearings for long last performance
- Automatic trip, spool engagement mechanism
- A6061-T6 machined aluminum, anodized spool
- Multi-disc high output Carbonite drag system
- Dual anti-reverse for maximum reliability
- Synchronized levelwind optimized for braided line
- Quick Drop, switch for precision lure/bait placement
- Available in both right and left hand retrieve
- On/Off clicker perfect for all trolling applications



CV-354D



MODEL	GEAR RATIO	BEARINGS	WEIGHT (G)	LINE RETRIEVE (CM)	MAX DRAG FORCE (KG)	MONO LINE CAPACITY (DIAMETER IN MM.)
RIGHT HANDED LINE COUNTER REELS						
CV-163D	6.3:1	2+1	224	68	5	0.26/240, 0.31/160, 0.37/110
CV-354D	5.4:1	2+1	332	66	10	0.33/240, 0.37/180, 0.41/145
LEFT HANDED LINE COUNTER REELS						
CV-163DLX	6.3:1	2+1	224	68	5	0.26/240, 0.31/160, 0.37/110
CV-354DLX	5.4:1	2+1	332	66	10	0.33/240, 0.37/180, 0.41/145



CW-303D



CW-203D-LE



CW-553LS

Cold Water

COLD WATER LINE COUNTER REELS

- Lightweight corrosion resistant frame & sideplates
- Multi-disc, Carbonite drag system
- Aluminum handle arm with Ergo grip handle knobs
- 2BB + 1RB Stainless steel ball bearings
- Quick-set anti-reverse roller bearing
- Oversized machine cut brass XL drive and pinion gears
- Self-lubricating gearing system, all models
- Speed Lock pinion gear system, all models
- Machined aluminum, two tone anodized spool
- Dual anti-reverse system. (Mechanical and roller bearing)
- Mechanical line counter function measures in feet
- CVT: Clear View Technology anti-fogging line counter
- Aluminum ratcheting drag star for precision drag settings
- Wide Mouth levelwind: Clearance for copper lines
- Automatic trip spool engaging mechanism
- MSS: Mechanical Stabilizing System for increased durability
- DLX represent left hand crank line counter models

COLD WATER WIRE LINE REELS

- Designed with high speed gear ratios for increased line pickup
- 303/453DS models are high speed line counter reels
- 553LS is a large diameter high speed levelwind reel (no counter)
- Oversized brass XL gearing system
- Multi-disc Carbonite drag washers for maximum efficiency
- 2HPB + 1RB corrosion resistant stainless steel bearings
- Dual anti-reverse system for maximum strength and reliability
- Quick-Set stainless steel anti-reverse roller bearing
- Machined aluminum, anodized spool
- Speed Lock pinion gear system for instant engagement
- Ergo grip handle knob for increased comfort
- Wide Mouth levelwind: Increased knots clearance
- Silent retrieve system for increased smoothness
- MSS: Mechanical Stabilizing System for precise alignment
- XL gearing: Drop down gear box for maximum gear sizing
- Self-lubricating gear system for maximum heat dissipation

MODEL	GEAR RATIO	BEARINGS	WEIGHT (G)	LINE RETRIEVE (CM)	MAX DRAG FORCE (KG)	MONO LINE CAPACITY (DIAMETER IN MM.)
COLD WATER LINE COUNTERS						
CW-153D	5.1:1	2+1	414	58.4	6	0.35/220, 0.40/170, 0.45/130
CW-203D	5.1:1	2+1	425	58.4	6	0.35/270, 0.40/210, 0.45/150
CW-303D	4.2:1	2+1	567	61.0	7	0.40/420, 0.45/320, 0.50/260
CW-453D	4.2:1	2+1	618	66.0	7	0.45/450, 0.50/360, 0.55/300
CW-153DLX*	5.1:1	2+1	414	58.4	6	0.35/220, 0.40/170, 0.45/130
CW-203DLX*	5.1:1	2+1	425	58.4	6	0.35/270, 0.40/210, 0.45/150
CW-303DLX*	4.2:1	2+1	567	61.0	7	0.40/420, 0.45/320, 0.50/260
COLD WATER LINE COUNTERS - SPECIAL EDITION						
CW-203D-LE	5.1:1	2+1	425	58.4	6	0.35/270, 0.40/210, 0.45/150
CW-203DLX-LE	5.1:1	2+1	425	58.4	6	0.35/270, 0.40/210, 0.45/150
COLD WATER WIRE LINE REELS						
CW-303DS	6.2:1	2+1	570	94.2	9	0.40/420, 0.45/320, 0.50/260
CW-453DS	6.2:1	2+1	624	104.9	9	0.45/450, 0.50/360, 0.55/300
CW-553LS	4.7:1	2+1	870	103.4	9	0.50/570, 0.55/470, 0.60/400

*Left Handed Reel



MA-45DXT

MODEL	GEAR RATIO	BEARINGS	WEIGHT (G)	LINE RETRIEVE (CM)	MAX DRAG FORCE (KG)	MONO LINE CAPACITY (DIAMETER IN MM.)
MAGDA PRO REELS						
MA-15DXT-T	5.1:1	2	357	58.4	6	0.35/220, 0.40/170, 0.45/120
MA-20DXT	5.1:1	2	366	58.4	6	0.35/270, 0.40/210, 0.45/150
MA-30DXT	4.0:1	2	457	61.0	7	0.40/420, 0.45/320, 0.50/260
MA-45DXT	4.0:1	2	493	66.0	8	0.45/450, 0.50/360, 0.55/300
MA-20DLXT*	5.1:1	2	366	58.4	6	0.35/270, 0.40/210, 0.45/150
MA-30DLXT*	4.0:1	2	457	61.0	7	0.40/420, 0.45/320, 0.50/260

*Left Handed Reel

MAGDA^{PRO} Line Counter

MAGDA PRO LINE COUNTER REELS

- Lightweight, corrosion-resistant frame and side plates
- Corrosion-resistant graphite spools
- Mechanical line counter function measures in feet
- 2 Stainless steel ball bearing
- 16-point anti-reverse for improved hookups
- Line counter screw port for improved air access
- Durable Machine cut brass gearing
- Self-Lubricating Gear System, all models
- 20 - 45 sizes with Ergo grip handle knob design
- 15-size features a twin paddle handle configuration
- Automatic trip spool engaging mechanism
- Stainless steel levelwind line guide system
- DLXT represents left hand crank models
- MA-15DXT-T features a twin paddle handle design

MODEL	GEAR RATIO	BEARINGS	WEIGHT (G)	LINE RETRIEVE (CM)	MAX DRAG FORCE (KG)	MONO LINE CAPACITY (DIAMETER IN MM.)
MAGDA DT REELS						
MA-15DT-T	5.1:1	0	365	58.4	6	0.35/220, 0.40/170, 0.45/130
MA-20DT	5.1:1	0	370	58.4	6	0.35/270, 0.40/210, 0.45/150
MA-30DT	4.0:1	0	460	61.0	7	0.40/420, 0.45/320, 0.50/260
MA-15DLT*	5.1:1	0	365	62	6	0.35/220, 0.40/170, 0.45/130
MA-20DLT*	5.1:1	0	370	58.4	6	0.35/270, 0.40/210, 0.45/150
MA-30DLT*	4.0:1	0	450	64	7	0.40/420, 0.45/320, 0.50/260

*Left Handed Reel



XPD-30Da

CLASSIC PRO XPD

CLASSIC PRO XPD REELS

- Lightweight corrosion resistant frame and sidelates
- Machined aluminum, anodized spool
- Stainless steel reinforcing sideplate rings
- Mechanical line counter function measures in feet
- Multi-disc Carbonite drag system
- 2 Stainless steel ball bearings
- Durable machine-cut brass gearing
- Ergo Grip handle knob with anodized aluminum handle arm
- Self lubricating gear system, all models
- Stainless steel level-wind line guide system

MODEL	GEAR RATIO	BEARINGS	WEIGHT (G)	LINE RETRIEVE (CM)	MAX DRAG FORCE (KG)	MONO LINE CAPACITY (DIAMETER IN MM.)
CLASSIC PRO XPD REELS						
XPD-20Da	5.1:1	2	390	58.4	6kg	0.35/270, 0.40/210, 0.45/150
XPD-30Da	4.0:1	2	500	61.0	7kg	0.40/420, 0.45/320, 0.50/260
XPD-20DLXa	5.1:1	2	390	58.4	6kg	0.35/270, 0.40/210, 0.45/150
XPD-30DLXa	4.0:1	2	500	61.0	7kg	0.40/420, 0.45/320, 0.50/260

*Left Handed Reel





XP-302La



CLX-452La



CLX-200La

CLASSIC PRO

CLASSIC PRO XP REELS

- Lightweight corrosion resistant frame and sideplates
- Machined aluminum, anodized spool
- Ported graphite frame design
- Stainless steel reel foot for strength
- Dependable multi-disc Rulidium drag system
- Classic Pro XP features 2 ball bearings
- Machine cut brass and stainless steel gearing
- Aluminum power handle with T-style knobs
- Self lubricating gear system
- Stainless steel levelwind line guide system

CLASSIC CLX REELS

- Lightweight corrosion resistant frame and sideplates
- Corrosion resistant graphite spools
- Ported graphite frame design
- Stainless steel reel foot for strength
- Dependable multi-disc Rulidium drag system
- CLX features a bushing drive
- Aluminum power handle with T-style knobs
- Self lubricating gear system
- Stainless steel levelwind line guide system



MODEL	GEAR RATIO	BEARINGS	WEIGHT (G)	LINE RETRIEVE (CM)	MAX DRAG FORCE (KG)	MONO LINE CAPACITY (DIAMETER IN MM.)
CLASSIC PRO XP LEVELWIND STAR DRAG REELS						
XP-302La	3.8:1	2	441	61.0	6 kg	0.40/420, 0.45/320, 0.50/260
XP-452La	3.8:1	2	472	63.5	6 kg	0.45/450, 0.50/360, 0.55/300
CLASSIC CLX LEVELWIND STAR DRAG REELS						
CLX-200La	5.1:1	Bushing	333	58.4	5 kg	0.35/270, 0.40/210, 0.45/150
CLX-300La	3.8:1	Bushing	414	61.0	6 kg	0.40/420, 0.45/320, 0.50/260
CLX-450La	3.8:1	Bushing	441	63.5	6 kg	0.45/450, 0.50/360, 0.55/300
CLX-300Lxa*	3.8:1	Bushing	414	61.0	6 kg	0.40/420, 0.45/320, 0.50/260
CLASSIC PRO CLX LEVELWIND STAR DRAG REELS						
CLX-302La	3.8:1	2	438	61.0	6 kg	0.40/420, 0.45/320, 0.50/260
CLX-452La	3.8:1	2	474	63.5	6 kg	0.45/450, 0.50/360, 0.55/300
CLX-302Lxa*	3.8:1	2	438	61.0	6 kg	0.40/420, 0.45/320, 0.50/260

*Left Handed Reel



DUAL FORCE DRAG SYSTEM

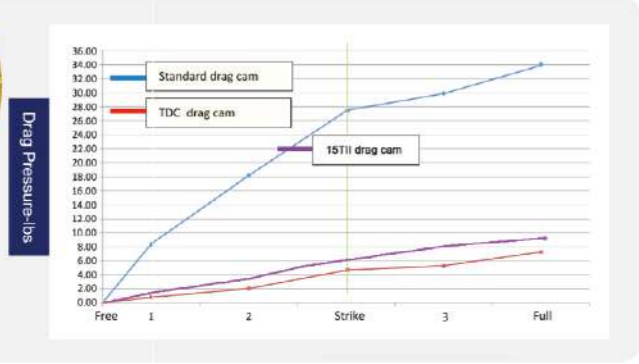
The specialized carbon DFD or Dual Force Drag system used on all Makaira reels was specifically engineered to be mounted in the right side of the spool in order to bring all the mechanical workings closer together to maximize alignment & durability. The farther mechanical parts are separated the more opportunity there is for tolerance error & flexing which causes parts alignment issues. The DFD principal was specifically designed around the "Pull Bar Drag System". The major advantage to a "Pull Bar Drag System" is that the drag is being pulled rather than pushed. The most common type of lever drag in the industry is the "Push Bar Drag System". The Push Bar System places heavy pressure on the left sideplate & utilizes the frame for overall stability which is a fatal flaw in this type of design. This pressure creates frame flex, reducing drag pressure & causing tolerance alignment issues. This problem is further exaggerated on open top designs from other companies. One of the major benefits to the pull bar design is that there is no pressure placed on the frame. Therefore, our open top frame designs will not suffer frame flex found in our competitors reels.

This highly efficient drag system was designed & engineered by Tiburon Engineering USA to increase maximum drag pressure, reduce side load pressure on ball bearings & improve heat dissipation for long term smoothness over extended periods. This Okuma DFD is considered a wet drag system comprised of two carbon fiber drag washers that are sandwiched together & bonded with a fiber glass core. Pure carbon washers are coated with a thin layer of Cal Sheet's Universal drag grease for virtually zero start up inertia. These washers are compressed by two precision ground 17-4 grade stainless steel drag plates that have been ground flat then polished for maximum smoothness. These stainless steel friction drag plates have a minimum 32 Rockwell hardness allowing for high-end drag settings & consistently smooth drag performance at all ranges. The drag system is secured to the right side of the spool by a 6061-T6 grade aluminum cover that features Type-II anodizing for maximum alignment, strength & corrosion resistance.

MAKAIRA REELS WITH TDC DRAG CAMS



MK-8II/10II/15II/15TII



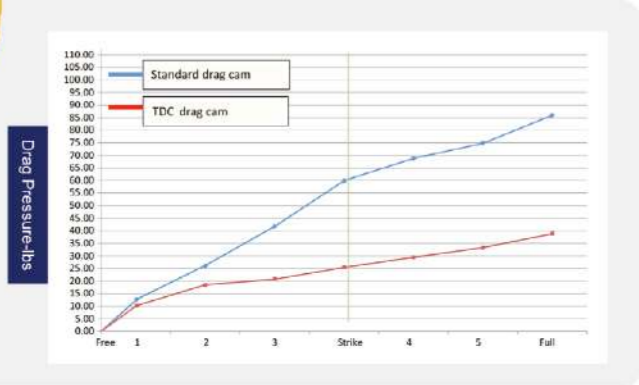
MK8II/10II/15II/15TII-LINE CLASS 15 LBS

Drag Lever Position	1	2	Strike	3	Full
Standard drag cam	8.6	18.6	27.3	30.2	34.1
TDC drag cam	0.9	2.1	4.7	5.5	7.0
15TII TDC drag cam	1.5	2.8	4.7	6.2	7.3

(lb)



MK-50II/MK-50WII



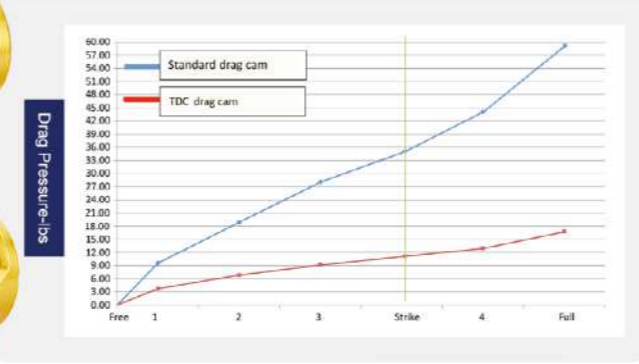
MK50II/50WII-LINE CLASS 50 LBS

Drag Lever Position	1	2	3	Strike	4	5	Full
Standard drag cam	12.0	26.1	42.7	59.6	67.6	75.8	86.7
TDC drag cam	10.3	17.7	21.4	26.2	29.1	33.2	38.9

(lb)



MK-16II/20II



MK16II/20II/30II-LINE CLASS 30 LBS

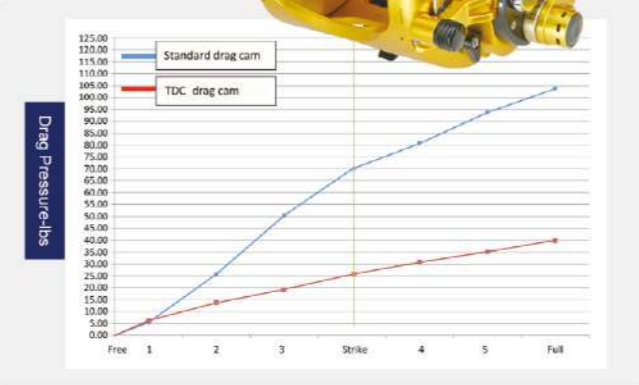
Drag Lever Position	1	2	3	Strike	4	Full
Standard drag cam	10.5	19.2	28.3	38.2	44.6	59.3
TDC drag cam	4.2	7.0	9.1	11.4	13.7	17.5

(lb)

MK-30II



MK-80WII / 130II



MK80WII/130II-LINE CLASS 80 LBS

Drag Lever Position	1	2	3	Strike	4	5	Full
Standard drag cam	4.8	26.5	51.1	69.7	81.0	93.1	103.4
TDC drag cam	5.5	13.6	19.3	26.1	31.0	35.3	39.4

(lb)



MAKAIRA® TOURNAMENT DRAG CAM IGFA LINE CLASSES FOR MAKAIRA



Okuma's TDC or "Tournament Drag Cam" is designed with a more gradual ramp in the cam system that is intended for anglers fishing light line and tournament IGFA line classes. The standard cam that is installed in the Makaira reels is engineered to be compatible with braided line and offers aggressive drag ramps in order to output heavy drag ratings. The Makaira reels are engineered to output extreme drag pressure, but this is not required by all anglers. These reels have been designed to offer customization and with the TDC cam system, Okuma is offering anglers a reel that is versatile for a wide range of fishing applications, allowing anglers the ability to achieve a more gradual increase in drag settings.

MODEL	DESCRIPTION
TDC-8II/10II/15II/15TII	Makaira Tournament Drag Cam
TDC-16II/20II/30II	Makaira Tournament Drag Cam
TDC-50II/50WII	Makaira Tournament Drag Cam
TDC-80WII/130II	Makaira Tournament Drag Cam

MODEL	TYPE OF BRAID	BRAIDED LINE LENGTH	TOP SHOT LENGTH
BRAID LINE CAPACITY FOR MAKAIRA REELS			
MK-10II	Solid	300-yds of 50-lbs	75 to 100-yds of 20 to 40-lbs
MK-15II	Solid	300-yds of 65-lbs	80 to 100-yds of 30 to 50-lbs
MK-15TII	Solid	450-yds of 80-lbs	15-yds top shot
MK-16II	Hollow Core	600-yds of 100-lbs	50 ft. wind on leader
MK-20II	Hollow Core	700-yds of 100-lbs	50 ft. wind on leader
MK-30II	Hollow Core	800-yds of 100-lbs (HC)	80-yds of 80-lbs
MK-50II	Hollow Core	600-yds of 130-lbs (HC)	50 to 80-yds of 80 to 100-lbs
MK-50WII	Hollow Core	800-yds of 130-lbs (HC)	50 to 80-yds of 80 to 100-lbs
MK-80WII	Hollow Core	1000-yds of 80-lbs (HC)	80 to 100-yds of 130-lbs

SILENT ANTI-REVERSE:

The Makaira's proprietary anti-reverse system allows for a smoother and quieter feeling. We equate this feeling to that of a Lexus, when compared to other reels in the market. Most reels in the market hide their rough gear quality by the noise and vibration caused by the engagement and clacking of the anti-reverse pawls. The Okuma silent system is unlike any other 2-speed reel in the industry for smoothness. This anti-reverse system is supported by a 12 point double dog anti-reverse pawl system. The Makaira system is very simple in principal but the performance is extremely advanced. As you turn the reel forward the anti-reverse pawls slide open allowing a friction free and quiet retrieve. As soon as the handle is stopped or pulled backwards the anti-reverse pawls are engaged into place by their drive shaft actuated sliding system. The strength of this anti-reverse system does not solely rely on a dog spring like found on most of our competitors reels. The sliding function does not rely heavily on a dog spring system and is mainly controlled by the forward and reverse movement applied to the drive shaft through the movement of the angler turning the handle.



HELICAL CUT GEARING:

Makaira lever drag reels utilize helical cut main and pinion gears. This process allows for improved gear meshing which equates to improved gear smoothness. The angled teeth found in helical cut gears engage more gradually than straight cut or spur gear teeth. This allows helical gears to run smoother and quieter compared to spur gears. Spur gears cause impact stress and noise, because of the hard meshing and can not take as much torque as helical gears because their teeth are receiving impact blows as they mesh together.



GREASE AND OIL:

To further enhance the corrosion resistance of Makaira reels, Okuma applies our CRC or Corrosion Resistant Coating process to all internal and external parts for maximum protection. Our CRC process utilizes a coating process of Corrosion X HD formula that actually penetrates and bonds to the aluminum parts for long term protection. The extra steps taken in the assembly of the Makaira allows this reel to be a leader in the fishing tackle industry for long term use and performance. To further enhance the Makaira's function and performance, Okuma applies Cal's Universal drag grease to our carbon fiber drag washers for the smoothest wet drag system. The addition of Cal's drag grease allows for virtually zero start up inertia and smooth performance at all settings. Cal's Universal grease is also used for coating moving parts such as the main and pinion gears for improved performance.





MAKAIRA®

MAKAIRA REELS

- 6061-T6 machined aluminum frame with forged side plates
- 17-4 grade stainless steel gearing
- Helical cut gears for increased torque, smoothness and improved gear meshing
- Makaira reels all feature two-speed gearing systems
- Gold anodized two-speed gear shifter housing
- Cold forged, Type-II anodized, machined aluminum spool
- CRC: Corrosion Resistant Coating process
- Patented spool pin system for use with braided or mono lines
- Carbonite Dual Force drag system featuring Cal's universal drag grease
- Custom designed thrust bearing: Alleviates side load on heavy drag settings
- 4-pcs ABEC-5 precision Sapporo stainless steel ball bearings
- MK-80WII features 6-pcs of Sapporo ball bearings
- Double-dog, proprietary silent anti-reverse system
- Ratcheting drag lever and pre-set knob for precise drag setting
- Patented T-Bar handle with Easy Roll graphite insert on all models
- Heavy duty stainless steel ratcheting clicker system
- Heavy duty, 17-4 grade stainless steel drive and spool shafts
- Type-II gold anodized frame, sideplates, spool, drag lever and handle
- Open top frame design on 10II, 15II,16II, 20II, and 50II
- Lug and plug system on all open top reel models
- Machined thumb rest on rear cross bar for improved ergonomics
- Forged aluminum full hard anodized reel foot and reel clamp
- Machine-etched marlin logo on left side plate
- Precision placement of drain holes maximizes water removal from reel
- Special screw ports around side plate screws reduces water/corrosion buildup



MODEL	GEAR RATIO	BEARINGS	WEIGHT (G)	LINE RETRIEVE (CM)	MONO LINE CAPACITY (DIAMETER IN MM.)	MAX DRAG @ STRIKE WITH FREESPOOL	MAX DRAG @ FULL WITH FREESPOOL	FRAME STYLE
MAKAIRA TWO-SPEED LEVER DRAG REELS								
MK-10II	4.7:1 & 2.1:1	4BB+1TB	740	85.1 & 38.1	0.37/420, 0.42/350, 0.48/260	12.3 kg	15.4 kg	Topless
MK-15II	4.7:1 & 2.1:1	4BB+1TB	780	85.1 & 38.1	0.42/500, 0.48/370, 0.55/280	12.3 kg	15.4 kg	Topless
MK-16II	4.3:1 & 1.3:1	4BB+1TB	1160	99.6 & 30.0	0.42/800, 0.48/600, 0.55/450	15.4 kg	21.7 kg	Topless
MK-20II	3.8:1 & 1.7:1	4BB+1TB	1298	100.1 & 44.5	0.48/800, 0.55/600, 0.60/480	16.8 kg	25.0 kg	Topless
MK-30II	3.8:1 & 1.7:1	4BB+1TB	1417	100.1 & 44.5	0.55/700, 0.60/640, 0.70/500	16.8 kg	25.0 kg	Crossbar
MK-50II	3.2:1 & 1.3:1	4BB+1TB	1741	96.0 & 38.9	0.55/910, 0.70/590, 0.90/360	27.2 kg	39.0 kg	Topless
MK-50WII	3.2:1 & 1.3:1	4BB+1TB	1843	96.0 & 38.9	0.70/820, 0.75/710, 0.90/510	27.2 kg	39.0 kg	Crossbar
MK-80WII	3.1:1 & 1.2:1	6BB+1TB	3289	116.1 & 52.9	0.90/910, 1.00/770, 1.12/600	32.1 kg	45.4 kg	Crossbar
MK-130II	2.2:1 & 1.2:1	6BB+1TB	4750	100.8 & 55.1	0.90/1450, 1.00/1170, 1.12/920	34.1 kg	45.4 kg	Crossbar



MAKAIRA® SPECIAL EDITION

MAKAIRA SEa REELS

- Open spool bearings with TSI-301 oil. Increases freespool 2-1/2 times.
- MK80WIIEa and MK-130IIEa feature grease-packed spool bearings
- All non-spool bearings feature full grease pack for maximum longevity.
- Features Special Edition Gun Smoke and Black anodizing.
- SEa reels feature a yellowfin tuna etched into the sideplate.
- Frames have been machined out for increased clearance between spool and cross bars.
- MK-10/15 feature MK-20 size handle knobs.
- MK-20/30 feature the MK-50 handle arm and knobs
- Lower speed 1.3:1 gear ratio featured in 20/30 sizes.
- Lower speed 1.0:1 gear ratio featured in 50 size.
- Type-II gun smoke anodized frame, side plates and drag lever



MODEL	GEAR RATIO	BEARINGS	WEIGHT (G)	LINE RETRIEVE (CM)	MONO LINE CAPACITY (DIAMETER IN MM.)	MAX DRAG @ STRIKE WITH FREESPOOL	MAX DRAG @ FULL WITH FREESPOOL	FRAME STYLE
MAKAIRA SEA TWO-SPEED LEVER DRAG REELS								
MK-10IIEa	4.7:1 & 2.1:1	4BB+1TB	740	85.1 & 38.1	0.37/420, 0.42/350, 0.48/260	12.3 kg	15.4 kg	Topless
MK-15IIEa	4.7:1 & 2.1:1	4BB+1TB	822	98.8 & 43.4	0.45/525, 0.48/385, 0.55/295	14.5 kg	18.2 kg	Topless
MK-16IIEa	4.3:1 & 1.3:1	4BB+1TB	1134	99.6 & 30.0	0.42/800, 0.48/600, 0.55/450	15.4kg	21.7kg	Topless
MK-20IIEa	3.8:1 & 1.3:1	4BB+1TB	1298	100.1 & 33.5	0.48/800, 0.55/600, 0.60/480	16.8 kg	25.0 kg	Topless
MK-30IIEa	3.8:1 & 1.3:1	4BB+1TB	1417	100.1 & 33.5	0.55/770, 0.60/640, 0.70/500	16.8 kg	25.0 kg	Topless
MK-50IIEa	3.2:1 & 1.0:1	4BB+1TB	1707	96.0 & 30.2	0.55/910, 0.70/590, 0.90/360	27.2 kg	39.0 kg	Topless
MK-50WIIEa	3.2:1 & 1.0:1	4BB+1TB	1843	96.0 & 30.2	0.70/820, 0.75/710, 0.90/510	27.2 kg	39.0 kg	Crossbar
MK-80WIIEa	3.1:1 & 1.2:1	6BB+1TB	3289	116.1 & 52.1	0.90/910, 1.00/770, 1.12/600	32.1 kg	45.4 kg	Crossbar
MK-130IIEa	2.2:1 & 1.2:1	6BB+1TB	4750	100.8 & 55.1	0.90/1450, 1.00/1170, 1.12/920	34.1 kg	45.4 kg	Crossbar
MAKAIRA SEA GOLD REELS								
MK-15IIEa Gold	4.7:1 & 2.1:1	4BB+1TB	822	98.8 & 43.4	0.45/525, 0.48/385, 0.55/295	14.5 kg	18.2 kg	Topless

MAKAIRA®

MAKAIRA SEa SILVER REELS

- Open spool bearings with TSI-301 oil. Increases freespool 2-1/2 times.
- MK80WII SEa Silver and MK-130II SEa Silver feature grease-packed spool bearings
- All non-spool bearings feature full grease pack for maximum longevity.
- Features Special Edition Silver and Black anodizing.
- SEa reels feature a yellowfin tuna etched into the sideplate.
- Frames have been machined out for increased clearance between spool and cross bars.
- MK-10 feature MK-20 size handle knobs.
- MK-20/30 feature the MK-50 handle arm and knobs
- Lower speed 1.3:1 gear ratio featured in 20/30 sizes.
- Lower speed 1.0:1 gear ratio featured in 50 size.
- Type-II silver anodized frame, side plates and drag lever



MODEL	GEAR RATIO	BEARINGS	WEIGHT (G)	LINE RETRIEVE (CM)	MONO LINE CAPACITY (DIAMETER IN MM.)	MAX DRAG @ STRIKE WITH FREESPOOL	MAX DRAG @ FULL WITH FREESPOOL	FRAME STYLE
MAKAIRA SEA SILVER TWO-SPEED LEVER DRAG REELS								
MK-10IIEa-Silver	4.7:1 & 2.1:1	4BB+1TB	740	85.1 & 38.1	0.37/420, 0.42/350, 0.48/260	12.3 kg	15.4 kg	Topless
MK-15TIISEa-Silver	4.7:1 & 2.1:1	4BB+1TB	822	98.8 & 43.4	0.45/525, 0.48/385, 0.55/295	14.5 kg	18.2 kg	Topless
MK-16IIEa-Silver	4.3:1 & 1.3:1	4BB+1TB	1134	99.6 & 30	0.42/800, 0.48/600, 0.55/450	15.4 kg	21.7 kg	Topless
MK-20IIEa-Silver	3.8:1 & 1.3:1	4BB+1TB	1298	100 & 33.5	0.48/800, 0.55/600, 0.60/480	16.8 kg	25 kg	Topless
MK-30IIEa-Silver	3.8:1 & 1.3:1	4BB+1TB	1417	100 & 33.5	0.55/770, 0.60/640, 0.70/500	16.8 kg	25 kg	Topless
MK-50IIEa-Silver	3.2:1 & 1.0:1	4BB+1TB	1707	96 & 30.2	0.55/910, 0.70/590, 0.90/360	27.2 kg	39.0 kg	Topless
MK-50WIISEa-Silver	3.2:1 & 1.0:1	4BB+1TB	1843	96 & 30.2	0.70/820, 0.75/710, 0.90/510	27.2 kg	39.0 kg	Crossbar
MK-80WIISEa-Silver	3.1:1 & 1.2:1	6BB+1TB	3289	116.1 & 52.1	0.90/910, 1.00/770, 1.12/600	32.1 kg	45.4 kg	Crossbar
MK-130IIEa-Silver	2.2:1 & 1.2:1	6BB+1TB	4750	100.8 & 55.1	0.90/1450, 1.00/1170, 1.12/920	34.1 kg	45.4 kg	Crossbar

ALIJOS

ALIJOS TWO-SPEED REELS

- 17-4 grade stainless steel main and pinion gears
- Carbonite Dual Force Drag system with Cal's drag grease
- 6-NMB corrosion resistant stainless steel bearings
- Spool bearings feature TSI-301 oil for unmatched freespool
- Rigid 1-pcs frame and left sideplate construction
- 6061-T6 machined aluminum frame and sideplates
- Cold forged, Type-II anodized, machined aluminum spool
- Custom designed thrust bearing: Alleviates side load on heavy drag settings
- Silent retrieve system for ultimate cranking smoothness
- 90mm handle arm, increases cranking leverage/power
- Oversized T-Bar handle on all models, for cranking power
- Lug and plug harness system featured on 12 and 16 sizes
- External adjustable cast control system on left sideplate
- CRC: Corrosion Resistant Coating process

ALIJOS SINGLE-SPEED LEVER DRAG REELS

- Optimized for fishing consistent light drag settings
- Features TDC drag cams for gradual drag curves
- High-speed 6.4:1 gear ratios for quick line recovery
- 17-4 grade stainless steel main and pinion gears
- Carbonite Drag system with Cal's drag grease
- 6-NMB corrosion resistant stainless steel bearings
- Dual anti-reverse system (Mechanical and roller bearing)
- QuickSet anti-reverse bearing allows for zero handle back play
- Rigid 1-pcs frame and left sideplate construction
- 6061-T6 machined aluminum frame and sideplates
- Cold forged, Type-II anodized, machined aluminum spool
- Silent retrieve system for ultimate cranking smoothness
- Lug and plug harness system featured on 12 and 16 sizes
- CRC: Corrosion Resistant Coating process



MODEL	GEAR RATIO	BEARINGS	WEIGHT (G)	LINE RETRIEVE (CM)	MAX DRAG FORCE (KG)	MONO LINE CAPACITY (DIAMETER IN MM.)
ALIJOS TWO-SPEED REELS						
AJ-5II	6.4:1 & 3.8:1	6BB+1TB	560	107 & 63	11 & 7	0.32/570, 0.37/400, 0.42/320
AJ-5NII	6.4:1 & 3.8:1	6BB+1TB	550	107 & 63	11 & 7	0.32/385, 0.37/275, 0.42/225
AJ-12II	4.7:1 & 2.1:1	6BB+1TB	810	90 & 40	15.5 & 12.3	0.42/510, 0.48/380, 0.55/290
AJ-12SII	6.4:1 & 2.1:1	6BB+1TB	820	123 & 40	15.5 & 12.3	0.42/510, 0.48/380, 0.55/290
AJ-12NSII	6.4:1 & 2.1:1	6BB+1TB	780	123 & 40	15.5 & 12.3	0.42/300, 0.48/200, 0.55/150
AJ-16II	4.3:1 & 1.3:1	6BB+1TB	1030	100 & 30	21.7 & 15.5	0.42/800, 0.48/600, 0.55/450
ALIJOS SINGLE-SPEED / SPECIAL EDITION						
AJ-12S SE	6.4:1	6BB+1RB	720	123	4.6 & 2.6	0.42/510, 0.48/380, 0.55/290
AJ-16S SE	6.4:1	6BB+1RB	890	149	4.6 & 2.6	0.42/800, 0.48/600, 0.55/450



CAVALLA

CAVALLA LEVER DRAG REELS

- Rigid 1-pcs frame and left sideplate construction
- 6061-T6 Machined aluminum frame and sideplates
- 17-4 grade stainless steel main and pinion gears
- Carbonite drag system with Cal's drag grease
- Cold forged, Type-II anodized, machined aluminum spool
- CRC: Corrosion Resistant Coating process
- 4 BB corrosion resistant stainless steel bearings
- Ergo Grip handle knob with anodized aluminum handle arm
- Silent retrieve system for cranking smoothness
- On/Off bait clicker for all lever drag models



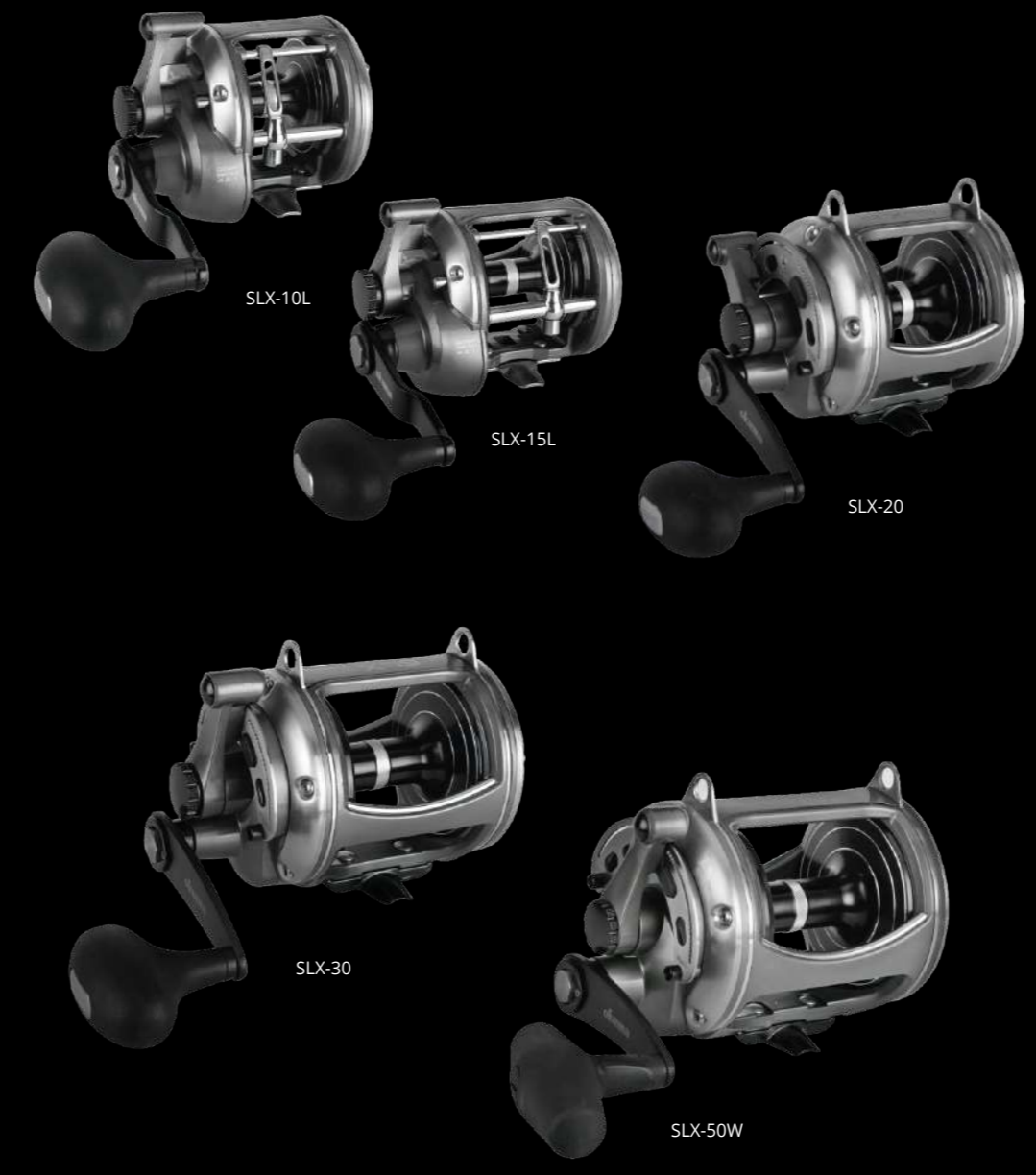
MODEL	GEAR RATIO	BEARINGS	WEIGHT (G)	LINE RETRIEVE (CM)	MAX DRAG FORCE (KG)	MONO LINE CAPACITY (DIAMETER IN MM.)
CAVALLA TWO-SPEED REELS						
CAV-5NII	6.4:1 & 3.8:1	4BB	460	107 & 63	7 & 11	0.32/385, 0.37/275, 0.42/225
CAV-5II	6.4:1 & 3.8:1	4BB	485	107 & 63	7 & 11	0.32/570, 0.37/400, 0.42/320
CAV-12NII	4.7:1 & 2.1:1	4BB	675	90 & 40	12.2 & 15.4	0.42/300, 0.48/200, 0.55/150
CAV-12II	4.7:1 & 2.1:1	4BB	705	90 & 40	12.2 & 15.4	0.42/510, 0.48/380, 0.55/290
CAV-5NIIILX*	6.4:1 & 3.8:1	4BB	460	107 & 63	7 & 11	0.32/385, 0.37/275, 0.42/225
CAV-5IILX*	6.4:1 & 3.8:1	4BB	485	107 & 63	7 & 11	0.32/570, 0.37/400, 0.42/320
CAV-12IILX*	4.7:1 & 2.1:1	4BB	705	90 & 40	12.2 & 15.4	0.42/510, 0.48/380, 0.55/290
CAVALLA TWO-SPEED REELS T-BAR KNOB						
CAV-5NIIILX-1	6.4:1 & 3.8:1	4BB	502	107 & 63	7 & 11	0.32/385, 0.37/275, 0.42/225
CAVALLA SINGLE-SPEED REELS						
CAV-5S	6.4:1	4BB	465	107	7 & 11	0.32/570, 0.37/400, 0.42/320
CAV-5NS	6.4:1	4BB	440	107	7 & 11	0.32/385, 0.37/275, 0.42/225
CAVALLA BLUE TWO-SPEED REELS						
CAVB-5NII	6.4:1 & 3.8:1	4BB	460	107 & 63	7 & 11	0.32/385, 0.37/275, 0.42/225
CAVB-5II	6.4:1 & 3.8:1	4BB	485	107 & 63	7 & 11	0.32/570, 0.37/400, 0.42/320
CAVB-12NII	4.7:1 & 2.1:1	4BB	675	90 & 40	12.2 & 15.4	0.42/300, 0.48/200, 0.55/150
CAVB-12II	4.7:1 & 2.1:1	4BB	705	90 & 40	12.2 & 15.4	0.42/510, 0.48/380, 0.55/290
CAVB-5NIIILX	6.4:1 & 3.8:1	4BB	460	107 & 63	7 & 11	0.32/385, 0.37/275, 0.42/225
CAVB-5IILX	6.4:1 & 3.8:1	4BB	485	107 & 63	7 & 11	0.32/570, 0.37/400, 0.42/320
CAVB-12IILX	4.7:1 & 2.1:1	4BB	705	90 & 40	12.2 & 15.4	0.42/510, 0.48/380, 0.55/290

*Left Handed Reel

SOLTERRA SLX

SOLTERRA SLX REELS

- Stainless steel main gears, pinion gears and shafts
- Single speed, High-speed and Two-speed models
- Durable corrosion-resistant frame & side plates
- Stainless steel reinforcing side plate rings
- Forged aluminum spool with line indicator rings
- Carbonite drag system with Cal's universal drag grease
- 2 thrust bearings reduce handle turning force by over 50%.
- 5BB+2TB stainless steel shielded bearings 20-50W models
- 5BB+2TB+RB stainless steel shielded bearings 10/15 models
- Double dog, silent anti-reverse on all models
- Dual anti-reverse system on all 10/15 sizes
- Ratcheting drag lever for precise drag setting
- Stainless Steel Body Armor reduces frame flex 20-50W models
- T-Bar handle design on 50W-size
- Ergo Grip comfort handle on all 10 through 30 sizes
- Low profile On/Off clicker with stainless steel wishbone
- Wide-mouth levelwind: Stainless steel with Ti coating "L" models
- High Speed 6.2:1 gear ratios on SLX-10CS and SLX-15CS
- Open top frame design on SLX-10CS and SLX-15CS



MODEL	GEAR RATIO	BEARINGS	WEIGHT (G)	LINE RETRIEVE (CM)	MONO LINE CAPACITY (DIAMETER IN MM.)	MAX DRAG @ STRIKE WITH FREESPOOL	MAX DRAG @ FULL WITH FREESPOOL
HIGH SPEED OPEN TOP FRAME REELS							
SLX-10CS	6.0:1	5BB+2TB+1RB	660	106.7	0.40/380, 0.45/290, 0.50/230	6.8 kg	10 kg
SLX-15CS	6.0:1	5BB+2TB+1RB	697	106.7	0.45/420, 0.50/340, 0.55/280	6.8 kg	10 kg
STANDARD SINGLE SPEED LEVER DRAGS (FEATURES CLOSED FRAME WITH TOP CROSS BAR AND HARNESS LUGS)							
SLX-20	3.5:1	5BB+2TB	984	81.3	0.50/330, 0.55/440, 0.60/370	11.8 kg	15 kg
SLX-30	3.5:1	5BB+2TB	1017	81.3	0.50/700, 0.55/580, 0.60/490	11.8 kg	15 kg
SLX-50W	3.1:1	5BB+2TB	1487	81.3	0.70/640, 0.90/380, 1.00/310	14.5 kg	18 kg
TWO-SPEED LEVER DRAGS (FEATURES CLOSED FRAME WITH TOP CROSS BAR AND HARNESS LUGS)							
SLX-20II	3.8:1 & 1.7:1	5BB+2TB	991	88.9 & 38.1	0.50/530, 0.55/440, 0.60/370	11.8 kg	15 kg
SLX-30II	3.8:1 & 1.7:1	5BB+2TB	1017	88.9 & 38.1	0.50/700, 0.55/580, 0.60/490	11.8 kg	15 kg
SLX-50WII	3.1:1 & 1.3:1	5BB+2TB	1510	81.3 & 38.1	0.70/640, 0.90/380, 1.00/310	14.5 kg	18 kg
LEVELWIND REELS							
SLX-10L	4.2:1	5BB+2TB+1RB	596	73.7	0.40/380, 0.45/290, 0.50/230	6.8 kg	10 kg
SLX-15L	4.2:1	5BB+2TB+1RB	644	73.7	0.45/420, 0.50/340, 0.55/280	6.8 kg	10 kg
SLX-20L	3.5:1	5BB+2TB	1034	81.3	0.50/330, 0.55/440, 0.60/370	11.8 kg	15 kg





Nothing inspires the soul like a finely-crafted fishing rod. Upon picking it up, flexing the action & feeling the balance, an angler can immediately visualize the experience- working a bait, feeling the strike, the deep flex under the load of a heavy fish. While the needs of each fishery can be dramatically different, the goal is universally the same: to actively connect with nature as a participant instead of a spectator. With many hundreds of unique rod models covering unique territories, species & techniques, our development process is highly collaborative. We work with the finest anglers in a given discipline to define the performance attributes. Then we bring them to life within our cutting-edge manufacturing facility.

Ultimate Matrix Reinforcement



LIGHTWEIGHT STRENGTH BUILT FOR ANY CHALLENGE

Okuma's Ultimate Matrix Reinforcement (UMR) technology maximizes rod strength while minimizing weight, so you can rise to meet any challenge.



HELIOS *Air*

HELIOS AIR RODS

- 40T+46T Toray carbon with Okuma UMR blank construction
- UMR: Ultimate Matrix Reinforcement
- New exclusive Psychedelic blank artwork
- Seaguide ONE GUIDE design, SS316 stainless steel and tangle-free guides with zirconium inserts
- Okuma Unique tooling skeleton reel seat, Japan carbon injection, with Psychedelic carbon tube body
- Durable Winn grip design
- Split grip butt design for reduced weight and improved balance
- High quality rods bag
- 2-sec all-round rods from 7'0" up to 9'0", 5-18g ultra-light up to more power predator 80-150g
- 4-sec City Park travel rods are also available

MODEL	PWR	LENGTH (CM)	SECTIONS	LURE WT. (G)	FOREGRIP LENGTH	REARGRIP LENGTH (MM)	NUMBER OF GUIDE	HANDLE	WEIGHT (G)
HELIOS AIR RODS									
HSA-S-702ML	ML	213	2-pcs	5-18	45	275	7+Tip	A	105
HSA-S-702M	M	213	2-pcs	7-25	45	275	7+Tip	A	110
HSA-S-702MH	MH	213	2-pcs	12-40	45	275	7+Tip	A	113
HSA-S-702H	H	213	2-pcs	20-60	45	285	7+Tip	A	119
HSA-S-702XH	XH	213	2-pcs	40-80	45	285	7+Tip	A	129
HSA-S-742MH	MH	224	2-pcs	20-50	40	305	8+Tip	A	107
HSA-S-802ML	ML	244	2-pcs	8-30	45	295	8+Tip	A	117
HSA-S-802M	M	244	2-pcs	14-40	45	285	8+Tip	A	122
HSA-S-802MH	MH	244	2-pcs	20-50	45	305	8+Tip	A	128
HSA-S-802H	H	244	2-pcs	30-70	45	305	8+Tip	A	135
HSA-S-802XH	XH	244	2-pcs	40-90	70	420	7+Tip	B	144
HSA-S-862XH	XH	259	2-pcs	50-110	70	440	8+Tip	B	158
HSA-S-862XXH	XXH	259	2-pcs	80-150	70	440	8+Tip	B	171
HSA-S-902MH	MH	274	2-pcs	20-60	45	335	8+Tip	A	147
HSA-S-902H	H	274	2-pcs	30-70	45	335	8+Tip	A	153
HELIOS AIR RODS									
HSA-S-704M	M	7'0"/213cm	4-pcs	7-25	45	275	7+Tip	C	122
HSA-S-704MH	MH	7'0"/213cm	4-pcs	12-40	45	275	8+Tip	C	128
HSA-S-804MH	MH	8'0"/244cm	4-pcs	20-50	45	305	8+Tip	C	138

C = Casting Model S = Spinning Model



ONE.rod



ONE. RODS

- Ultra light 40T carbon blank construction
- Fuji anti-tangle stainless steel guides frame
- Fuji Alconite guide inserts reduce friction
- Fuji mini split reel seat
- Okuma carbon cone handle design
- High quality cloth bag package

MODEL	PWR	LENGTH (CM)	SECTIONS	LURE WT. (G)	REARGRIP LENGTH (MM)	NUMBER OF GUIDE	HANDLE	WEIGHT (G)
ONE RODS								
OR-C-661ML	ML	198	1-pc	7-20	300	9+Tip	B	86
OR-C-661M	M	198	1-pc	10-30	300	9+Tip	B	92
OR-S-661ML	ML	198	1-pc	7-20	280	7+Tip	A	82
OR-S-661M	M	198	1-pc	10-30	280	7+Tip	A	89
OR-S-661MH	MH	198	1-pc	15-45	280	7+Tip	A	95

C = Casting Model S = Spinning Model

Inspira



INSPIRA RODS

- 30-Ton ultra-light carbon blank construction
- Fuji stainless steel top with Alconite inserts
- Seaguide XO anti-tangle 316-stainless steel guides
- Okuma tooling reel seat with Fuji cushioned stainless steel Hood
- Okuma carbon cone concept handle
- Durable EVA with flat aluminum end cap improved balance
- High quality cloth bag package

MODEL	PWR	LENGTH (CM)	SECTIONS	LURE WT. (G)	REARGRIP LENGTH (MM)	NUMBER OF GUIDE	WEIGHT (G)
HELIOS AIR RODS							
ISP-S-662UL	UL	198	2-pcs	0-7	260	7+Tip	128
ISP-S-702UL	UL	213	2-pcs	0-10	260	8+Tip	134
ISP-S-762UL	UL	229	2-pcs	2-12	290	8+Tip	142
ISP-S-802UL	UL	244	2-pcs	2-12	300	8+Tip	149
ISP-S-902UL	UL	274	2-pcs	2-12	340	9+Tip	163

C = Casting Model S = Spinning Model

Helios SX

HELIOS SX RODS

- 30T carbon construction
- Slim blanks with fast action
- Japanese split EVA handles
- Ergonomic touch blank screw up reel seat
- CCS SIC gunsmoke guides
- Customized Okuma butt cap
- Delivered in cloth bag



Award winning Helios SX rod comes in 16 different spin models and one trigger model covering all your spinning needs from 2-8 gr 165 cm ultra light fishing to 20-60 gr 300cm jiggging rod.

MODEL	PWR	LENGTH (CM)	SECTIONS	LURE WT. (G)	FOREGRIP LENGTH (MM)	REARGRIP LENGTH (MM)	NUMBER OF GUIDE	HANDLE	WEIGHT (G)
HELIOS SX RODS									
HSX-S-562L	L	168	2-pcs	2-8	35	230	6+Tip	A	88
HSX-S-602L	L	183	2-pcs	2-10	35	230	6+Tip	A	90
HSX-S-662ML	ML	198	2-pcs	7-18	35	260	6+Tip	A	95
HSX-S-702L	L	213	2-pcs	4-15	35	260	7+Tip	A	95
HSX-S-702ML	ML	213	2-pcs	8-20	35	260	7+Tip	A	104
HSX-S-702M	M	213	2-pcs	10-30	35	260	7+Tip	A	118
HSX-S-742ML	ML	224	2-pcs	8-25	35	260	7+Tip	A	105
HSX-S-742M	M	224	2-pcs	12-35	35	280	7+Tip	A	116
HSX-S-742MH	MH	224	2-pcs	20-50	35	280	7+Tip	A	124
HSX-S-802ML	ML	244	2-pcs	8-25	35	280	8+Tip	A	113
HSX-S-802M	M	244	2-pcs	15-40	35	280	8+Tip	A	123
HSX-S-802MH	MH	244	2-pcs	20-50	35	280	8+Tip	A	135
HSX-S-902ML	ML	274	2-pcs	8-25	35	280	8+Tip	A	128
HSX-S-902M	M	274	2-pcs	15-45	35	280	8+Tip	A	144
HSX-S-902MH	MH	274	2-pcs	20-60	35	310	8+Tip	A	154
HSX-S-1002M	M	305	2-pcs	20-50	35	370	9+Tip	A	162
HSX-C-662ML	ML	198	2-pcs	7-18	40	275	9+Tip	B	99

MODEL	PWR	LENGTH (CM)	SECTIONS	LURE WT. (G)	FOREGRIP LENGTH (MM)	REARGRIP LENGTH (MM)	NUMBER OF GUIDE	HANDLE	WEIGHT (G)
HELIOS SX TRAVEL RODS									
HSX-S-704ML	ML	213	2-pcs	5-20	35	260	7+Tip	A	107
HSX-S-704M	M	213	2-pcs	10-30	35	260	7+Tip	A	115
HSX-S-704MH	MH	213	2-pcs	15-40	35	260	7+Tip	A	124
HSX-S-804MH	MH	244	2-pcs	15-50	35	280	8+Tip	A	137
HSX-S-804H	H	244	2-pcs	20-80	35	280	8+Tip	A	150
HSX-C-704H	H	213	2-pcs	20-60	45	305	10+Tip	B	135

C = Casting Model S = Spinning Model





EPIXOR

EPIXOR RODS

- Unique use of Bopp (Biaxially Oriented Polypropylene) Blank protect Film
- Bopp are a 2 way stretch film, which protect the carbon blank from damage, during use and transportation
- Bopp can be recycled
- 30/36-Ton carbon, ultra-light, slim and balanced blanks
- Seaguide XO anti-tangle 316-stainless steel guides
- Zirconium guides inserts reduce friction from braided lines
- Unique light weight ergonomic touch blank reel seats
- AAA cork quality handles
- Durable rubber cork end cap for the balance
- Luxury velvet rod bag

MODEL	PWR	LENGTH (CM)	SECTIONS	LURE WT. (G)	FOREGRIP LENGTH (MM)	REARGRIP LENGTH (MM)	NUMBER OF GUIDE	WEIGHT (G)
EPIXOR RODS								
EPI-S-662L-1	L	198	2-pcs	2-12	40	250	6+Tip	97
EPI-S-702L-1	L	213	2-pcs	3-18	40	250	7+Tip	104
EPI-S-742M-1	M	224	2-pcs	10-32	40	270	7+Tip	121
EPI-S-802L-1	L	244	2-pcs	5-20	40	290	7+Tip	123
EPI-S-802ML-1	ML	244	2-pcs	10-32	40	290	7+Tip	133
EPI-S-862M-1	M	259	2-pcs	15-40	40	300	8+Tip	154
EPI-S-902L-1	L	274	2-pcs	5-25	40	340	8+Tip	137
EPI-S-902ML-1	ML	274	2-pcs	10-32	40	340	8+Tip	150
EPI-S-902M-1	M	274	2-pcs	15-50	40	340	8+Tip	171
EPI-S-902MH-1	MH	274	2-pcs	30-70	40	340	8+Tip	189
EPI-S-922ML-1	ML	279	2-pcs	10-32	40	340	8+Tip	158
EPI-S-962M-1	M	290	2-pcs	15-50	40	350	8+Tip	188
EPI-S-1002ML-1	ML	305	2-pcs	10-40	40	380	8+Tip	187
EPI-S-1153M-1	M	348	3-pcs	20-50	40	455	10+Tip	236

C = Casting Model S = Spinning Model

EPIXOR Travel rods



Ceymar SPR



EPIXOR TRAVEL RODS

- Unique use of Bopp (Biaxially Oriented Polypropylene) Blank protection Film
- Bopp is a 2 way stretch film, that protect the carbon blank from damage, during use and transportation
- Bopp can be recycled
- Slim, Light and Balanced blanks
- 30 and 36T Korean carbon material
- Unique Light weight ergonomic touch blank reel seats
- AAA grade cork handles
- Coil control guide system

MODEL	PWR	LENGTH (CM)	SECTIONS	LURE WT. (G)	FOREGRIP LENGTH (MM)	REARGRIP LENGTH (MM)	NUMBER OF GUIDE	WEIGHT (G)
EPIXOR TRAVEL RODS								
EPI-S-904L	L	274	4-pcs	7-24	40	340	8+Tip	143
EPI-S-924ML	ML	279	4-pcs	8-28	40	340	8+Tip	152
EPI-S-964ML	ML	290	4-pcs	10-32	40	350	8+Tip	170
EPI-S-1004ML	ML	305	4-pcs	10-36	40	380	8+Tip	199
EPI-S-1154ML	ML	348	4-pcs	10-35	40	455	10+Tip	229

CEYMAR SPR RODS

- Ultra-sensitive and responsive carbon blank construction
- Spiral Carbon technology improves strength and durability
- Quality stainless steel frame guides with Polished Titanium Oxide inserts
- Okuma graphite reel seat with cushioned stainless steel hood
- Ergonomic shaped, split EVA handles
- Durable rubber cork end cap for the rods balance
- Supplied with a quality rod bag

MODEL	PWR	LENGTH (CM)	SECTIONS	LURE WT. (G)	FOREGRIP LENGTH (MM)	REARGRIP LENGTH (MM)	NUMBER OF GUIDE	WEIGHT (G)
CEYMAR SPR RODS								
CSPR-S-702H	H	213	2-pcs	30-120	40	300	6+Tip	167
CSPR-S-802H	H	244	2-pcs	30-120	40	350	6+Tip	182
CSPR-S-902H	H	274	2-pcs	30-120	40	380	6+Tip	204
CSPR-S-1002H	H	305	2-pcs	30-120	40	410	7+Tip	231

Pink Pearl V2



PINK PEARL V2 RODS

- 24T carbon construction
- SIC guides silver frame
- Modern graphite screw reel seat
- Okuma butt cap logo
- Designed to match to Pink Pear V2 reels
- Supplied with a quality rod bag

MODEL	PWR	LENGTH (CM)	SECTIONS	LURE WT. (G)	FOREGRIP LENGTH (MM)	REARGRIP LENGTH (MM)	NUMBER OF GUIDE	WEIGHT (G)
PINK PEARL V2 RODS								
PP-S-712ML V2	ML	213	2-pcs	5-20	35	260	6+Tip	124
PP-S-822M V2	M	249	2-pcs	10-32	35	280	7+Tip	168

AZAKI



AZAKI RODS

- 24T Carbon EPC process
- Same blank as Altera
- 3 split handle EVA & Cork
- SIC guides silver frame
- Graphite screw down reel seat with cushions
- Designed to match Azaki spinning reels
- Supplied with a quality rod bag

MODEL	PWR	LENGTH (CM)	SECTIONS	LURE WT. (G)	FOREGRIP LENGTH (MM)	REARGRIP LENGTH (MM)	NUMBER OF GUIDE	WEIGHT (G)
AZAKI RODS								
AZK-S-602ML	ML	183	2-pcs	4-12	40	235	5+Tip	88
AZK-S-602M	M	183	2-pcs	5-20	40	235	5+Tip	90
AZK-S-662L	L	198	2-pcs	7-22	40	255	5+Tip	94
AZK-S-702ML	ML	213	2-pcs	5-20	40	270	6+Tip	104
AZK-S-702M	M	213	2-pcs	10-30	40	270	6+Tip	108
AZK-S-762ML	ML	228	2-pcs	8-25	40	270	6+Tip	112
AZK-S-762M	M	228	2-pcs	12-35	40	270	6+Tip	118
AZK-S-802ML	ML	244	2-pcs	7-28	40	290	7+Tip	121
AZK-S-802M	M	244	2-pcs	12-35	40	290	7+Tip	124
AZK-S-902ML	ML	274	2-pcs	7-28	40	290	7+Tip	130
AZK-S-902M	M	274	2-pcs	12-35	40	290	7+Tip	138
AZK-S-902H	H	274	2-pcs	20-60	40	370	7+Tip	165
AZK-S-962ML	ML	286	2-pcs	7-28	40	350	9+Tip	143
AZK-S-1002ML	ML	305	2-pcs	10-30	40	350	9+Tip	158



ALARIS

ALARIS RODS

- 24T Korean carbon blank construction
- Light weight SIC guide system
- Ergonomic, touch blank reel seat
- FC-Full cork handles
- Japanese split handle style
- Supplied in rod bag

MODEL	PWR	LENGTH (CM)	SECTIONS	LURE WT. (G)	FOREGRIP LENGTH (MM)	REARGRIP LENGTH (MM)	NUMBER OF GUIDE	HANDLE	WEIGHT (G)
ALARIS RODS									
ALA-C-632ML	ML	191	2-pcs	5-22	50	300	8+Tip	A	121
ALA-C-632M	M	191	2-pcs	10-32	50	300	8+Tip	A	123
ALA-S-602L	L	183	2-pcs	2-7	40	240	4+Tip	B	102
ALA-S-612ML	ML	185	2-pcs	5-15	40	260	4+Tip	B	103
ALA-S-632M	M	191	2-pcs	10-32	40	290	4+Tip	B	119
ALA-S-712M	M	216	2-pcs	10-32	40	290	4+Tip	B	118
ALA-S-712ML	ML	216	2-pcs	5-22	40	290	4+Tip	B	147
ALA-S-742M	M	224	2-pcs	10-32	40	310	4+Tip	B	133
ALA-S-742MH	MH	224	2-pcs	15-40	40	330	4+Tip	B	146
ALA-S-822ML	ML	249	2-pcs	10-32	40	330	5+Tip	B	183
ALA-S-862MH	MH	259	2-pcs	20-60	40	380	5+Tip	B	221
ALA-S-902ML	ML	274	2-pcs	7-28	40	380	5+Tip	B	182
ALA-S-1012M	M	307	2-pcs	15-45	40	410	5+Tip	B	216

C = Casting Model S = Spinning Model



ALARIS

ALARIS RODS

- 24T carbon construction
- Slim blanks with fast action
- SCT Solid Carbon Tip on Light Jig versions
- Rubber cork butt
- Ergonomic touch reel seat
- CCS SIC gunsmoke guides
- Delivered in cloth bag

MODEL	PWR	LENGTH (CM)	SECTIONS	LURE WT. (G)	FOREGRIP LENGTH (MM)	REARGRIP LENGTH (MM)	NUMBER OF GUIDE	WEIGHT (G)
LIGHT JIG SPIN								
ALS-S-802UL	UL	244	2-pcs	up to 12	40	240	7+Tip	131
ALS-S-902UL	UL	274	2-pcs	up to 15	40	250	8+Tip	151
SOFT LURE SPIN								
ALS-S-802L	L	244	2-pcs	5-12	40	240	7+Tip	134
ALS-S-902L	L	274	2-pcs	5-15	40	250	8+Tip	154
ALS-S-802ML	ML	244	2-pcs	7-25	40	240	7+Tip	138
ALS-S-902ML	ML	274	2-pcs	7-28	40	300	8+Tip	160
ZANDER SPIN								
ALS-S-802M	M	244	2-pcs	10-35	40	260	7+Tip	148
ALS-S-902M	M	274	2-pcs	10-35	40	300	8+Tip	173

ALTERA

ALTERA RODS

- 24T carbon construction
- Slim blanks with fast action
- Japanese split EVA handles
- Ergonomic touch blanks reel seat
- Quality SIC gunsmoke frame guides
- Delivered in cloth bag



MODEL	PWR	LENGTH (CM)	SECTIONS	LURE WT. (G)	FOREGRIP LENGTH (MM)	REARGRIP LENGTH (MM)	NUMBER OF GUIDE	WEIGHT (G)
ALTERA RODS								
ALT-S-502UL	UL	152	2-pcs	2-7	33	205	5+Tip	82
ALT-S-562L	L	168	2-pcs	3-8	33	235	5+Tip	87
ALT-S-602UL	UL	183	2-pcs	2-7	33	245	5+Tip	93
ALT-S-602L	L	183	2-pcs	4-12	33	245	5+Tip	96
ALT-S-602ML	ML	183	2-pcs	5-20	33	245	5+Tip	98
ALT-S-662ML	ML	198	2-pcs	7-22	33	260	5+Tip	107
ALT-S-662M	M	198	2-pcs	10-30	33	260	5+Tip	110
ALT-S-662MH	MH	198	2-pcs	15-40	33	260	5+Tip	115
ALT-S-662H	H	198	2-pcs	25-70	33	260	6+Tip	130
ALT-S-702ML	ML	213	2-pcs	5-20	33	265	6+Tip	116
ALT-S-702M	M	213	2-pcs	10-30	33	265	6+Tip	118
ALT-S-702MH	MH	213	2-pcs	15-40	33	265	6+Tip	127
ALT-S-702H	H	213	2-pcs	20-60	33	275	6+Tip	135
ALT-S-742ML	ML	224	2-pcs	8-25	33	275	6+Tip	116
ALT-S-742M	M	224	2-pcs	12-35	33	275	6+Tip	119
ALT-S-742MH	MH	224	2-pcs	20-40	33	275	6+Tip	130
ALT-S-802ML	ML	244	2-pcs	7-28	33	285	7+Tip	129
ALT-S-802M	M	244	2-pcs	15-40	33	285	7+Tip	135
ALT-S-802MH	MH	244	2-pcs	20-45	33	285	7+Tip	144
ALT-S-802H	H	244	2-pcs	30-80	33	340	7+Tip	152
ALT-S-902ML	ML	274	2-pcs	5-25	33	285	7+Tip	147
ALT-S-902M	M	274	2-pcs	15-40	33	285	7+Tip	149
ALT-S-902MH	MH	274	2-pcs	20-80	33	360	7+Tip	164
ALT-S-902H	H	274	2-pcs	30-100	33	360	7+Tip	176
ALT-S-1002MH	MH	305	2-pcs	25-70	33	415	8+Tip	187
ALT-C-662M	M	198	2-pcs	10-30	33	300	8+Tip	114
ALT-C-662H	H	198	2-pcs	20-50	33	300	8+Tip	129

C = Casting Model S = Spinning Model



ALTERA

ALTERA TRAVEL RODS

- 24T carbon blank construction
- 4-pcs travel rod concept
- Fast action
- Matt gunsmoke frame SIC K-type guides
- Japanese Split EVA handle
- Modern Ergonomic touch blanks reel seat
- Supplied with a quality rod bag

MODEL	PWR	LENGTH (CM)	SECTIONS	LURE WT. (G)	FOREGRIP LENGTH (MM)	REARGRIP LENGTH (MM)	NUMBER OF GUIDE	HANDLE	WEIGHT (G)
TRAVEL SPIN									
ALT-S-704MH	MH	213	4-pcs	15-40	35	275	6+Tip	A	129
ALT-S-704H	H	213	4-pcs	20-60	35	285	6+Tip	A	138
ALT-S-704XH	XH	213	4-pcs	30-80	35	285	6+Tip	A	145
ALT-S-804H	H	244	4-pcs	40-80	35	350	7+Tip	A	167
TRAVEL CASTING									
ALT-C-704H	H	213	4-pcs	20-60	35	300	8+Tip	B	145
ALT-C-704XH	XH	213	4-pcs	30-80	35	300	8+Tip	B	151

C = Casting Model S = Spinning Model

ALTERA TELE SPIN



VSystem G2



ALTERA TELE SPIN RODS

- 24T ultra-light carbon blank construction
- Slim blanks with fast action
- Matt gunsmoke frame SIC guides
- Okuma graphite reel seat
- Aluminum screw end cap with non-skid rubber
- Quality guide cover and cloth bag included

MODEL	PWR	LENGTH (CM)	SECTIONS	LURE WT. (G)	FOREGRIP LENGTH (MM)	REARGRIP LENGTH (MM)	NUMBER OF GUIDE	WEIGHT (G)
ALTERA TELE SPIN								
ATE-S-605M-T	M	183	5-pcs	10-30	35	235	3+Tip	102
ATE-S-705M-T	M	213	6-pcs	10-30	35	250	4+Tip	116
ATE-S-806M-T	M	244	7-pcs	15-40	35	265	5+Tip	133
ATE-S-907M-T	M	274	7-pcs	15-40	35	310	6+Tip	147
ATE-S-1007M-T	M	305	7-pcs	15-40	35	345	6+Tip	182
ATE-S-1107M-T	M	335	7-pcs	20-50	35	360	6+Tip	211

VSYSTEM G2 RODS

- Ultra-light high modulus carbon blank construction
- Quality anti tangle stainless steel frame guides
- Okuma graphite reel seat
- Ergonomic shaped, hard EVA handles
- EVA split grip and EVA fore grip for reduced weight and feel
- Aluminum screw end cap with non-skid rubber
- Quality guide cover and cloth bag included

MODEL	PWR	LENGTH (CM)	SECTIONS	LURE WT. (G)	FOREGRIP LENGTH (MM)	REARGRIP LENGTH (MM)	NUMBER OF GUIDE	WEIGHT (G)
VSYSTEM G2 RODS								
VST-S-806M-T	M	244	6-Tele	10-40	40	305	5+TIP	163
VST-S-907M-T	M	274	7-Tele	10-40	40	360	6+TIP	179
VST-S-1007M-T	M	305	7-Tele	10-40	50	425	6+TIP	186



NEMESIS

NEMESIS RODS

- High modulus ultra-light carbon blank construction
- Quality stainless steel frame guides
- Okuma graphite reel seat
- EVA split grip and EVA fore grip for reduced weight and feel
- Aluminum end cap with Okuma epoxy logo
- Travel Cast available in 6'0"

MODEL	PWR	LENGTH (CM)	SECTIONS	LURE WT. (G)	LINRE WT. (LBS)	FOREGRIP LENGTH (MM)	REARGRIP LENGTH (MM)	NUMBER OF GUIDE	HANDLE	WEIGHT (G)
NEMESIS RODS										
NE-C-562L	L	168	2-pcs	5-10	4-10	50	220	7+Tip	A	107
NE-C-602UL	UL	183	2-pcs	2-10	2-6	50	245	8+Tip	A	108
NE-C-602ML	ML	183	2-pcs	7-15	6-12	50	245	8+Tip	A	115
NE-C-602M	M	183	2-pcs	7-28	8-17	50	270	8+Tip	A	118
NE-C-662M	M	198	2-pcs	7-28	8-17	50	290	8+Tip	A	124
NE-C-702MH	MH	213	2-pcs	10-35	10-20	50	290	9+Tip	A	141
NE-S-562L	L	168	2-pcs	5-10	4-10	50	205	6+Tip	B	102
NE-S-602UL	UL	183	2-pcs	2-10	2-6	50	245	6+Tip	B	103
NE-S-602ML	ML	183	2-pcs	7-15	6-12	50	245	6+Tip	B	107
NE-S-662M	M	198	2-pcs	7-28	8-17	50	290	7+Tip	B	121
NE-S-702MH	MH	213	2-pcs	10-35	10-20	50	290	7+Tip	B	137
TRAVEL CASTING										
NE-C-604ML	ML	183	2-pcs	7-15	6-12	50	200	9+Tip	A	129

C = Casting Model S = Spinning Model

COMPETITION



- 24T carbon blank construction
- Stainless steel guide frames
- Durable titanium oxide guide inserts
- Stainless steel hooded reel seat with Okuma tooling logo
- Split grip butt design for reduced weight and improved balance
- Comfortable EVA fore and rear grips
- Stainless steel hook keeper

MODEL	PWR	LENGTH (CM)	SECTIONS	LURE WT. (G)	FOREGRIP LENGTH (MM)	REARGRIP LENGTH (MM)	NUMBER OF GUIDE	HANDLE	WEIGHT (G)
CM-C-562L	L	168	2-pcs	2-8	35	250	7+Tip	B	90
CM-C-602UL	UL	183	2-pcs	2-8	35	275	8+Tip	B	95
CM-C-602ML	ML	183	2-pcs	5-17	35	275	8+Tip	B	102
CM-C-601M	M	183	1-pcs	8-25	35	275	8+Tip	B	106
CM-C-662ML	ML	198	2-pcs	7-18	35	275	9+Tip	B	110
CM-C-661M	M	198	1-pcs	10-30	35	275	9+Tip	B	115
CM-C-701M	M	213	1-pcs	10-30	35	275	9+Tip	B	126
CM-C-702M	M	213	2-pcs	10-30	35	275	9+Tip	B	129
CM-S-562UL	UL	168	2-pcs	0-7	35	200	5+Tip	A	89
CM-S-562L	L	168	2-pcs	2-8	35	200	5+Tip	A	92
CM-S-562ML	ML	168	2-pcs	4-15	35	200	5+Tip	A	96
CM-S-602UL	UL	183	2-pcs	2-8	35	200	5+Tip	A	98
CM-S-602L	L	183	2-pcs	2-10	35	200	5+Tip	A	102
CM-S-602ML	ML	183	2-pcs	5-17	35	200	5+Tip	A	106
CM-S-601M	M	183	1-pcs	8-25	35	200	5+Tip	A	109
CM-S-602M	M	183	2-pcs	8-25	35	200	5+Tip	A	112
CM-S-662L	L	198	2-pcs	3-15	35	225	5+Tip	A	116
CM-S-662ML	ML	198	2-pcs	7-18	35	225	5+Tip	A	121
CM-S-661M	M	198	1-pcs	10-30	35	225	5+Tip	A	120
CM-S-662M	M	198	2-pcs	10-30	35	225	5+Tip	A	123
CM-S-662MH	MH	198	2-pcs	10-40	35	225	5+Tip	A	126
CM-S-702L	L	213	2-pcs	4-15	35	240	6+Tip	A	125
CM-S-702ML	ML	213	2-pcs	8-20	35	240	6+Tip	A	130
CM-S-701M	M	213	1-pcs	10-30	35	240	6+Tip	A	135
CM-S-702M	M	213	2-pcs	10-30	35	240	6+Tip	A	136
CM-S-702MH	MH	213	2-pcs	15-40	35	240	6+Tip	A	139
CM-S-702H	H	213	2-pcs	20-60	35	240	6+Tip	A	142
CM-S-762ML	ML	229	2-pcs	8-25	35	260	7+Tip	A	140
CM-S-762M	M	229	2-pcs	12-35	35	260	7+Tip	A	145
CM-S-762MH	MH	229	2-pcs	10-20	35	260	7+Tip	A	150
CM-S-802ML	ML	244	2-pcs	10-30	50	310	7+Tip	A	152
CM-S-802M	M	244	2-pcs	15-40	50	310	7+Tip	A	157
CM-S-802MH	MH	244	2-pcs	20-45	50	310	7+Tip	A	167
CM-S-802H	H	244	2-pcs	30-80	50	310	7+Tip	A	178
CM-S-902M	M	274	2-pcs	20-50	50	360	8+Tip	A	179
CM-S-902MH	MH	274	2-pcs	20-80	50	360	8+Tip	A	186
CM-S-902H	H	274	2-pcs	30-100	50	360	8+Tip	A	198
CM-S-1002MH	MH	305	2-pcs	20-80	50	400	8+Tip	A	212
CM-S-1002H	H	305	2-pcs	40-120	50	400	8+Tip	A	228

C = Casting Model S = Spinning Model



Fuel Spin

FUEL SPIN RODS

- 24T GT blank construction
- Fast action
- Complete range with 16 lengths and CW possible
- Motor sports design inspiration
- Pure energy for fishing
- 3 Split EVA handle to reduce the weight and good balance
- Stainless steel frame SIC guides
- Graphite cushions reel seat
- Designed to match Okuma Fuel Spin reels

MODEL	PWR	LENGTH (CM)	SECTIONS	LURE WT. (G)	FOREGRIP LENGTH(MM)	REARGRIP LENGTH (MM)	NUMBER OF GUIDE	WEIGHT (G)
FUEL SPIN RODS								
FSP-S-602L	L	183	2-pcs	2-10	35	220	5+Tip	99
FSP-S-602M	M	183	2-pcs	5-20	35	230	5+Tip	100
FSP-S-602H	H	183	2-pcs	15-40	35	250	5+Tip	114
FSP-S-662L	L	197	2-pcs	3-15	35	235	5+Tip	105
FSP-S-662ML	ML	197	2-pcs	7-22	35	245	5+Tip	107
FSP-S-662M	M	197	2-pcs	10-30	35	255	5+Tip	113
FSP-S-662H	H	197	2-pcs	20-50	35	265	5+Tip	126
FSP-S-702UL	UL	213	2-pcs	0-8	35	265	6+Tip	103
FSP-S-702L	L	213	2-pcs	5-20	35	265	5+Tip	111
FSP-S-702M	M	213	2-pcs	10-30	35	270	6+Tip	125
FSP-S-702H	H	213	2-pcs	20-60	35	280	6+Tip	138
FSP-S-762UL	UL	228	2-pcs	2-12	35	280	7+Tip	108
FSP-S-802L	L	243	2-pcs	5-25	35	295	7+Tip	140
FSP-S-802M	M	243	2-pcs	15-40	35	310	7+Tip	149
FSP-S-802H	H	243	2-pcs	30-80	35	340	7+Tip	173
FSP-S-902L	L	274	2-pcs	7-30	35	300	7+Tip	165
FSP-S-902M	M	274	2-pcs	20-50	35	310	7+Tip	179
FSP-S-902H	H	274	2-pcs	30-100	35	360	7+Tip	209

S = Spinning Model

Wave Power



WAVE POWER RODS

- 24T GT blank construction
- Fast action
- Stainless steel frame SIC guides
- 3 Split EVA handle to reduce the weight and good balance

- Graphite cushions reel seat
- Telescopic version available
- Designed to match Okuma Aria spin reels

MODEL	PWR	LENGTH (CM)	SECTIONS	LINE WT. (LBS)	CASTING WT. (G)	FOREGRIP LENGTH(MM)	REARGRIP LENGTH (MM)	NUMBER OF GUIDE	HANDLE	WEIGHT (G)
WP-S-602L	L	183	2-pcs	2.2-6.6	2-10	35	220	5+Tip	B	100
WP-S-602M	M	183	2-pcs	6.6-13.2	5-20	35	230	5+Tip	B	102
WP-S-602H	H	183	2-pcs	10-20	15-40	35	250	5+Tip	B	112
WP-S-662L	L	197	2-pcs	2.2-6.6	3-15	35	245	5+Tip	B	104
WP-S-662M	M	197	2-pcs	6.6-13.2	10-30	35	255	5+Tip	B	108
WP-S-662H	H	197	2-pcs	10-20	20-50	35	265	5+Tip	B	120
WP-S-662XH	XH	197	2-pcs	12-25	25-70	35	265	5+Tip	B	125
WP-S-702UL	UL	213	2-pcs	N/A	0-8	35	240	6+Tip	B	103
WP-S-702L	L	213	2-pcs	2.2-6.6	4-15	35	240	6+Tip	B	112
WP-S-702M	M	213	2-pcs	6.6-13.2	10-30	35	270	6+Tip	B	120
WP-S-702H	H	213	2-pcs	10-20	20-60	35	280	6+Tip	B	132
WP-S-702XH	XH	213	2-pcs	12-25	30-80	35	280	6+Tip	B	143
WP-S-762UL	UL	228	2-pcs	N/A	2-12	35	280	7+Tip	B	108
WP-S-802L	L	244	2-pcs	6.6-13.2	5-25	35	295	7+Tip	B	136
WP-S-802M	M	244	2-pcs	11-20	15-40	35	310	7+Tip	B	147
WP-S-802H	H	244	2-pcs	15.4-31	30-80	35	310	7+Tip	B	170
WP-S-902L	L	274	2-pcs	6.6-13.2	7-30	35	300	7+Tip	B	163
WP-S-902M	M	274	2-pcs	11-20	20-50	35	310	7+Tip	B	173
WP-S-902H	H	274	2-pcs	15.4-31	30-100	35	310	7+Tip	B	201
WP-S-1002M	M	305	2-pcs	N/A	25-60	35	360	9+Tip	B	203
WP-C-601M	M	183	1-pc	8-15	8-25	35	220	8+Tip	A	103
WP-C-601H	H	183	1-pc	10-20	15-45	35	220	8+Tip	A	108
WP-C-661M	M	197	1-pc	8-15	10-30	35	275	8+Tip	A	109
WP-C-661H	H	197	1-pc	10-20	20-50	35	275	8+Tip	A	117
WP-C-661XH	XH	197	1-pc	12-25	25-70	35	275	8+Tip	A	123
WP-C-662XH	XH	197	2-pcs	12-25	20-75	35	275	8+Tip	A	133
WP-C-701H	H	213	1-pc	10-20	20-60	35	275	9+Tip	A	132
WP-C-701XH	XH	213	2-pcs	10-20	20-60	35	275	9+Tip	A	142
WP-C-702XH	XH	213	1-pc	12-25	30-80	35	275	9+Tip	A	137
TELE SPIN										
WP-S-605M-T	M	183	5-pcs	N/A	5-20	35	235	4+Tip	B	101
WP-S-705M-T	M	213	5-pcs	N/A	10-30	35	250	4+Tip	B	108
WP-S-806M-T	M	244	6-pcs	N/A	15-40	35	265	5+Tip	B	143
WP-S-907M-T	M	274	7-pcs	N/A	20-50	35	300	5+Tip	B	192
WP-S-1007M-T	M	304	7-pcs	N/A	25-60	35	345	6+Tip	B	223
WP-S-1107M-T	M	335	7-pcs	N/A	30-70	35	345	6+Tip	B	244
WP-S-1208M-T	M	365	8-pcs	N/A	35-80	35	345	7+Tip	B	287

C = Casting Model S = Spinning Model



BALTIC STICK

BALTIC STICK RODS

- High modulus ultra-responsive carbon blank construction
- Double foot, stainless steel guide frames
- Zirconium guides inserts reduce friction
- Quality Okuma graphite reel seat
- EVA fore and rear grips for maximum durability
- Rubber end cap
- Supplied in quality rod bag

MODEL	PWR	LENGTH (CM)	SECTIONS	LURE WT. (G)	FOREGRIP LENGTH(MM)	REARGRIP LENGTH (MM)	NUMBER OF GUIDE	WEIGHT (G)
BALTIC STICK RODS								
BAL-S-802MH	MH	244	2-pcs	180	120	325	7+Tip	244
BAL-S-802H	H	244	2-pcs	100-250	120	325	7+Tip	263
BAL-S-902MH	MH	274	2-pcs	180	120	325	7+Tip	263
BAL-S-902H	H	274	2-pcs	100-250	120	325	7+Tip	296
BAL-S-1002MH	MH	305	2-pcs	180	120	370	7+Tip	310

S = Spinning Model



TACTICAL

TACTICAL RODS

- High modulus ultra-sensitive and responsive carbon blank construction
- Fast tape with UFR TIP design
- Anti-tangle stainless steel guides frame
- Double footed guides with polished titanium oxide guide inserts
- Okuma tooling split trigger reel seat
- Hard EVA split handle design
- Quality cloth bag package



MODEL	PWR	LENGTH	SECTIONS	LURE WT. (OZ)	LINE WT. (LBS)	REARGRIP LENGTH (MM)	NUMBER OF GUIDE	HANDLE	WEIGHT (G)
TACTICAL RODS									
TT-C-661M	M	198	1-pcs	1/8-5/8	8-14	240	9+Tip	A	105
TT-C-6101MH	MH	208	1-pcs	1/4-1	10-20	240	9+Tip	A	109
TT-C-702MH	MH	213	2-pcs	1/4-1 1/2	10-20	265	9+Tip	A	123
TT-C-701MH	MH	213	1-pcs	1/4-3/4	10-20	265	9+Tip	A	113
TT-C-701H	H	213	1-pcs	1/4-1/2	12-30	265	9+Tip	A	131
TT-C-741MH	MH	224	1-pcs	1/4-1 1/2	10-20	285	9+Tip	A	114
TT-C-741H	H	224	1-pcs	1/4-3/4	14-30	285	9+Tip	A	126
TT-S-562UL	UL	168	2-pcs	1/32-3/16	4-8	220	6+Tip	B	75
TT-S-701MH	MH	213	2-pcs	1/4-3/4	10-20	265	7+Tip	B	118
TT-S-702MH	MH	213	1-pcs	1/4-3/4	10-20	265	7+Tip	B	122

C = Casting Model S = Spinning Model

RED V1



RED V1 RODS

- High modulus ultra-sensitive and responsive carbon blank construction
- Fast tape blank special design for bass rods series
- Okuma tooling skeleton reel seat with cushioned stainless steel hood
- Durable Polymer and EVA split grip to reduce the weight and keep the balance
- Quality stainless steel guides frame
- Polished titanium oxide guide inserts
- Supplied with a quality rod bag

MODEL	PWR	LENGTH (CM)	SECTIONS	LINE WT. (LBS)	LURE WT. (OZ)	REARGRIP LENGTH (MM)	NUMBER OF GUIDE	HANDLE	WEIGHT (G)
RED V1 RODS									
REV1-C-662MH	MH	198	2-pcs	10-18	3/16-5/8	275	8+Tip	B	128
REV1-C-702MH	MH	213	2-pcs	10-20	1/4-3/4	275	9+Tip	B	145
REV1-S-702MH	MH	213	2-pcs	10-20	1/4-3/4	260	7+Tip	A	139

C = Casting Model S = Spinning Model

RED V2



RED V2 RODS

- High modulus ultra-sensitive and responsive carbon blank construction
- Fast tape blank special design for bass rods series
- Quality stainless steel guides frame
- Polished titanium oxide guide inserts
- Okuma tooling skeleton reel seat with cushioned stainless steel hood
- Camou EVA split grip and zero fore grip design to reduce the weight and keep the balance
- Supplied with a quality rod bag

MODEL	PWR	LENGTH (CM)	SECTIONS	LINE WT. (LBS)	LURE WT. (OZ)	REARGRIP LENGTH (MM)	NUMBER OF GUIDE	HANDLE	WEIGHT (G)
RAD V2 RODS									
REV2-C-662MH	MH	198	2-pcs	10-18	3/16-5/8	275	8+Tip	B	126
REV2-C-702MH	MH	213	2-pcs	10-20	1/4-3/4	275	9+Tip	B	142
REV2-C-701MH	MH	213	1-pcs	10-20	1/4-3/4	275	9+Tip	B	134
REV2-S-662MH	MH	198	2-pcs	10-18	3/16-5/8	260	6+Tip	A	120
REV2-S-702MH	MH	213	2-pcs	10-20	1/4-3/4	260	7+Tip	A	136

C = Casting Model S = Spinning Model



PSYCHO-PERCH SPIN

PSYCHO PERCH SPIN RODS

- Ultra-light high modulus carbon blank construction
- UFR: Ultimate Flex Reinforced rod tip technology
- New exclusive psychedelic blank artwork
- CCS Seaguide, 316 stainless steel frame SIC guide
- View blank screw down reel seat
- 3 split EVA handle with rubber cork inserts
- Covering all European styles of perch fishing
- High quality cloth bag



MODEL	PWR	LENGTH (CM)	SECTIONS	LURE WT. (G)	FOREGRIP LENGTH (MM)	REARGRIP LENGTH (MM)	NUMBER OF GUIDE	HANDLE	WEIGHT (G)
PSYCHO-PERCH SPIN RODS									
PSY-S-632UL	UL	190	2-pcs	1-8	25	235	7+Tip	A	78
PSY-S-632L	L	190	2-pcs	2-12	25	235	7+Tip	A	81
PSY-S-632ML	ML	190	2-pcs	3-18	25	235	7+Tip	A	84
PSY-S-732L	L	220	2-pcs	3-18	25	235	8+Tip	A	90
PSY-S-732ML	ML	220	2-pcs	4-24	25	235	8+Tip	A	96
PSY-S-732M	M	220	2-pcs	7-32	25	235	8+Tip	A	102
PSY-S-772UL	UL	230	2-pcs	1-8	25	235	9+Tip	A	93
PSY-S-772L	L	230	2-pcs	2-12	25	235	9+Tip	A	99
PSY-S-772ML	ML	230	2-pcs	3-18	25	235	9+Tip	A	105
PSY-S-892UL	UL	267	2-pcs	1-8	25	290	10+Tip	A	109
PSY-S-892L	L	267	2-pcs	2-12	25	290	10+Tip	A	112
PSY-S-892ML	ML	267	2-pcs	3-18	25	290	10+Tip	A	115
PSY-C-732ML	ML	230	2-pcs	4-24	25	275	10+Tip	B	106
PSY-C-732M	M	230	2-pcs	7-32	25	275	10+Tip	B	115

C = Casting Model S = Spinning Model



G-Control

G-CONTROL RODS

- Ultra-light high modulus carbon blank construction
- UFR sensitive tip and crossed carbon thread improve lifting power and maximum strength
- All rods have been designed for specific trout fishing
- Seaguide XO anti-tangle 316-stainless steel guides
- Zirconium guides inserts reduce friction
- Light weight ergonomic touch blank reel seats
- Ergonomic shaped, hard EVA handles
- EVA split grip and EVA fore grip for reduced weight and feel
- High quality cloth bag package



MODEL	PWR	LENGTH (CM)	SECTIONS	LURE WT. (G)	FOREGRIP LENGTH (MM)	REARGRIP LENGTH (MM)	NUMBER OF GUIDE	WEIGHT (G)
G-CONTROL RODS								
GCT-S-612XUL	XUL	188	2-pcs	0.6-3	35	150	6+Tip	73
GCT-S-622UL	UL	188	2-pcs	0.6-3	35	175	7+Tip	78
GCT-S-622L	L	188	2-pcs	1-4	35	175	7+Tip	80
GCT-S-702L	L	213	2-pcs	1-8	35	225	8+Tip	86
GCT-S-802L	L	244	2-pcs	1-8	35	245	9+Tip	97

S = Spinning Model



LRF

LFR RODS

- OKUMA Patent UFR Technology on the Tip blank, increased rod's sensitive tip, lifting power and maximum strength
- Seaguide unique XO guides, SS316 frame and SIC inserts
- Line Flow Tapered Micro Guide system
- Deluxe Okuma gold label reel seat
- Spiral Carbon tape design on the Butt section, improved strength, durability, and highlighted the whole rod
- Split grip butt design for reduced weight and improved balance



MODEL	PWR	LENGTH (CM)	SECTIONS	LURE WT. (G)	FOREGRIP LENGTH (MM)	REARGRIP LENGTH (MM)	NUMBER OF GUIDE	HANDLE	WEIGHT (G)
LFR RODS									
LRF-S-602UL	UL	183	2-pcs	1-7	35	235	7+Tip	A	78
LRF-S-662UL	UL	198	2-pcs	1-8	35	235	7+Tip	A	80
LRF-S-702UL	UL	213	2-pcs	1-8	35	235	8+Tip	A	92
LRF-S-762UL	UL	229	2-pcs	1-8	35	235	8+Tip	A	95
LRF-S-803L	L	244	3-pcs	2-12	35	305	9+Tip	A	99
DROPSHOP									
LRF-S-802M	M	244	2-pcs	5-25	35	290	9+Tip	A	107
LRF-S-702MH	MH	213	2-pcs	10-50	35	250	8+Tip	A	113
TELE SPIN									
LRF-T-605UL	UL	208	5-Tele	1-7	35	215	4+Tip	B	90
LRF-T-665UL	UL	198	5-Tele	1-8	35	215	4+Tip	B	96
LRF-T-706UL	UL	213	6-Tele	1-8	35	215	5+Tip	B	99
LRF-T-766UL	UL	229	6-Tele	1-9	35	215	5+Tip	B	103

S = Spinning Model

Light Range Fishing

LIGHT RANGE FISHING RODS

- Light weight 24T carbon material
- Japanese EVA split handle construction
- Okuma quality reel seat
- CCS SIC shooting guides
- Okuma UFR tip strength
- Cloth bag included

Okuma have patented the UFR technology - that truly gives an amazing performance on the light range fishing rods.



MODEL	PWR	LENGTH (CM)	SECTIONS	LURE WT. (G)	FOREGRIP LENGTH (MM)	REARGRIP LENGTH (MM)	NUMBER OF GUIDE	WEIGHT (G)
LIGHT RANGE FISHING RODS								
LRF-S-612L-1	L	185	2-pcs	1-7	35	245	7+Tip	80
LRF-S-712ML-1	ML	216	2-pcs	3-12	35	245	8+Tip	98
LRF-S-812ML-1	ML	246	2-pcs	8-22	35	295	9+Tip	129
LRF-S-862M-1	M	259	2-pcs	12-32	35	295	9+Tip	146

S = Spinning Model

Light Range Fishing TELE SPIN

LIGHT RANGE FISHING TELE SPIN RODS

- Light weight 24T carbon material
- Japanese EVA split handle construction
- Okuma quality reel seat
- CCS SIC shooting guides
- Okuma UFR tip strength
- Cloth bag included



MODEL	PWR	LENGTH (CM)	SECTIONS	LURE WT. (G)	FOREGRIP LENGTH (MM)	REARGRIP LENGTH (MM)	NUMBER OF GUIDE	WEIGHT (G)
LIGHT RANGE FISHING TELE SPIN RODS								
LRF-S-605UL-T	UL	183	5-Tele	1-7	35	215	4+Tip	94
LRF-S-706L-T	L	213	6-Tele	3-12	35	215	5+Tip	103
LRF-S-766ML-T	ML	229	6-Tele	8-22	35	215	5+Tip	113

S = Spinning Model



RODSTER SPIN

RODSTER SPIN RODS

- Super strong composite & graphite blank construction
- UFR: Ultimate Flex Reinforced rod tip technology
- 15% lighter than Classic UFR rods
- Double leg SIC guides
- Full EVA handle with Rubber cork top ring
- Strong graphite reel seat with cushions and hoods
- ABS butt cap on spin models
- Soft ABS gimbal on boat models



MODEL	PWR	LENGTH (CM)	SECTIONS	LURE WT. (G)	FOREGRIP LENGTH (MM)	REARGRIP LENGTH (MM)	NUMBER OF GUIDE	HANDLE	WEIGHT (G)
LFR RODS									
RST-S-562L	L	167	2-pcs	5-15	55	175	5+Tip	A	118
RST-S-562M	M	167	2-pcs	10-30	55	175	5+Tip	A	123
RST-S-662L	L	197	2-pcs	7-15	60	185	5+Tip	A	154
RST-S-702L	L	213	2-pcs	4-15	70	225	5+Tip	A	166
RST-S-702M	M	213	2-pcs	10-30	70	225	5+Tip	A	181
RST-S-702H	H	213	2-pcs	20-60	70	225	5+Tip	A	212
RST-S-802L	L	244	2-pcs	5-20	80	285	5+Tip	A	197
RST-S-802M	M	244	2-pcs	10-30	80	285	5+Tip	A	225
RST-S-802H	H	244	2-pcs	20-60	80	285	5+Tip	A	256
RST-S-902MH	MH	274	2-pcs	20-60	80	405	5+Tip	A	288
RST-S-902H	H	275	2-pcs	40-80	80	405	5+Tip	A	306
RST-S-1002H	H	304	2-pcs	40-80	90	465	6+Tip	A	328
BOAT									
RST-C-602M Boat	M	182	2-pcs	20-30lbs	120	405	6+Tip	B	246
RST-C-702M Boat	M	213	2-pcs	20-30lbs	140	425	6+Tip	B	301

S = Spinning Model

EPIXOR



EPIXOR RODS

- 30+40T Hi Modulus carbon blank construction
- Alu butt screw cap
- Supplied in quality rods bag
- Supplied in quality rods bag

MODEL	PWR	LENGTH (CM)	SECTIONS	FOREGRIP LENGTH(MM)	WEIGHT (G)
EPIXOR RODS					
EPIXOR Pole 4004	MH	400	4-pcs	1310	108
EPIXOR Pole 5005	MH	500	5-pcs	1310	174
EPIXOR Pole 6006	MH	600	6-pcs	1310	238
EPIXOR Pole 7007	MH	700	7-pcs	1310	334

COMPETITION POLE



COMPETITION POLE RODS

- Light weight carbon blank construction
- Durable components
- 6 different colors Purple, Yellow, Blue, Red, Green and Orange
- Supplied in quality rods bag

MODEL	PWR	LENGTH (CM)	SECTIONS	TRANSPORT LENGTH (MM)	WEIGHT (G)
COMPETITION POLE RODS					
Competition Pole 3003	MH	300	3-pcs	120	85
Competition Pole 4004	MH	400	4-pcs	120	157
Competition Pole 5005	MH	500	5-pcs	120	229
Competition Pole 6006	MH	600	6-pcs	120	332
Competition Pole 7007	MH	700	7-pcs	120	431
Competition Pole 8008	MH	800	8-pcs	120	578

G-POWER Tele Pole



G-POWER TELE POLO RODS

- Strong composite blank construction
- Durable components

MODEL	PWR	LENGTH (CM)	SECTIONS	TRANSPORT LENGTH (MM)	WEIGHT (G)
G-POWER TELE POLO RODS					
G-Power Tele Pole 3003	M	300	3-pcs	1150	115
G-Power Tele Pole 4004	M	400	4-pcs	1150	200
G-Power Tele Pole 5005	M	500	5-pcs	1150	331
G-Power Tele Pole 6006	M	600	6-pcs	1150	466
G-Power Tele Pole 7007	M	700	7-pcs	1150	618
G-Power Tele Pole 8008	M	800	8-pcs	1150	775

G-POWER Travel Pole



G-POWER TRAVEL POLO RODS

- Light weight composite Travel telepole.
- Ultra short travel length.

MODEL	PWR	LENGTH (CM)	SECTIONS	TRANSPORT LENGTH (MM)	WEIGHT (G)
G-POWER TRAVEL RODS					
G-Power Travel Pole 1804	M	180	4-pcs	640	
G-Power Travel Pole 2104	M	210	4-pcs	640	
G-Power Travel Pole 2405	M	240	5-pcs	640	58
G-Power Travel Pole 2705	M	270	5-pcs	640	61
G-Power Travel Pole 3006	M	300	6-pcs	640	89
G-Power Travel Pole 3607	M	360	7-pcs	640	125
G-Power Travel Pole 3908	M	390	8-pcs	640	156
G-Power Travel Pole 4208	M	420	8-pcs	64	158
G-Power Travel Pole 4509	M	450	9-pcs	64	201
G-Power Travel Pole 5411	M	540	11-pcs	64	

MERIDIANA



MERIDIANA BOLO RODS

- Toray 46T Hi modulus carbon blank construction with Okuma UFR technology
- UFR II: Ultimate Flex Reinforcement rod tip technology
- Seaguide Saltwater resistant light guides for Tele Bolo
- Fuji NS stainless steel plate reel seat
- Protected in a quality guides cover



MODEL	PWR	LENGTH (CM)	SECTIONS	REARGRIP LENGTH (MM)	NUMBER OF GUIDE	TRANSPORT LENGTH (MM)	WEIGHT (G)
MERIDIANA BOLO RODS							
MERIDIANA BOLO 6006	MH	600	6-pcs	420	8+Tip	148	618
MERIDIANA BOLO 7007	MH	700	7-pcs	420	9+Tip	148	775

HELIOS Bolo



HELIOS BOLO RODS

- 40T Toray carbon material, slim, light and powerful blank construction
- Fuji Saltwater resistant guides with Alconite inserts
- Protected in a quality guide cover
- Fuji NS stainless steel plate reel seat
- Supplied in a quality rod bag

MODEL	PWR	LENGTH (CM)	SECTIONS	LURE WT.(G)	REARGRIP LENGTH (MM)	NUMBER OF GUIDE	TRANSPORT LENGTH (MM)	WEIGHT (G)
HELIOS BOLO RODS								
HELIOS Bolo 4004	MH	400	4-pcs	10-30	420	6+Tip	137	182
HELIOS Bolo 5005	MH	500	5-pcs	10-30	420	7+Tip	137	234
HELIOS Bolo 6006	MH	600	6-pcs	10-30	420	8+Tip	137	297
HELIOS Bolo 7007	MH	700	7-pcs	10-30	420	9+Tip	137	396

EPIXOR Bolo



EPIXOR BOLO RODS

- 36-Ton Hi Modulus carbon blank construction
- Seaguide Saltwater resistant light guides for Tele Bolo
- Protected in a quality guide cover
- Fuji NS stainless steel plate reel seat
- Supplied in a quality rod bag

MODEL	PWR	LENGTH (CM)	SECTIONS	REARGRIP LENGTH (MM)	NUMBER OF GUIDE	TRANSPORT LENGTH (MM)	WEIGHT (G)
EPIXOR BOLO RODS							
EPIXOR Bolo 4004	MH	400	4-pcs	420	6+Tip	140	145
EPIXOR Bolo 5005	MH	500	5-pcs	420	7+Tip	140	209
EPIXOR Bolo 6006	MH	600	6-pcs	420	8+Tip	140	275
EPIXOR Bolo 7007	MH	700	7-pcs	420	9+Tip	140	381

COMPETITION Bolo



COMPETITION BOLO RODS

- Durable 24+30T carbon blank construction
- Quality stainless steel light guides for Tele Bolo
- Protected in a quality guide cover
- Quality stainless steel plate reel seat
- Supplied in a quality rod bag

MODEL	PWR	LENGTH (CM)	SECTIONS	REARGRIP LENGTH (MM)	NUMBER OF GUIDE	TRANSPORT LENGTH (MM)	WEIGHT (G)
COMPETITION BOLO RODS							
COMPETITION Bolo 4004	MH	400	4-Tele	450	5+Tip	124	186
COMPETITION Bolo 5005	MH	500	5-Tele	450	6+Tip	126	268
COMPETITION Bolo 6006	MH	600	6-Tele	450	7+Tip	127	387
COMPETITION Bolo 7007	MH	700	7-Tele	450	8+Tip	128	499



TOMCAT

TOMCAT RODS

- Responsive and durable 24T carbon blank construction
- Heavy duty matt gunsmoke SIC guides
- CCS Seaguide for Vertical item
- Strong graphite reel seat with cushions
- Rubber round butt cap
- 4 series covering all type of carfish disciplines
- Supplied in quality cloth bag

MODEL	PWR	LENGTH (CM)	SECTIONS	LURE WT.(G)	FOREGRIP LENGTH (MM)	REARGRIP LENGTH (MM)	NUMBER OF GUIDE	WEIGHT (G)
SPIN								
TMC-S-702MH	MH	213	2-pcs	60-160	120	380	6+Tip	300
TMC-S-802MH	MH	244	2-pcs	60-160	120	410	6+Tip	350
TMC-S-902M	M	274	2-pcs	40-120	120	460	6+Tip	362
TMC-S-902MH	MH	274	2-pcs	60-160	120	460	6+Tip	394
X-STRONG								
TMC-S-802XH	XH	244	2-pcs	200-300	135	465	5+Tip	388
TMC-S-902H	H	274	2-pcs	150-280	135	485	6+Tip	401
TMC-S-902XH	XH	274	2-pcs	200-300	135	485	6+Tip	445
TMC-S-992XH	XH	297	2-pcs	200-300	135	485	7+Tip	528
EXPERT								
TMC-S-1062H	H	320	2-pcs	100-250	200	465	7+Tip	198
VERTICAL								
TMC-S-601MH	MH	183	2-pcs	150	130	390	6+Tip	264



LS-8K Carp

LS-8K CARP RODS

- Toray 40T high modulus carbon, slim, light and powerful blank construction
- Gunsmoke Deep-drawn frame guides with SIC inserts
- Fuji TVS and DNPS reel seat
- Okuma carbon line clip
- Slim cone EVA with durable shrink tube butt handle
- Engraved aluminum butt cap
- New Semi tele version carp rods are available
- High quality cloth bag

MODEL	PWR	LENGTH (CM)	SECTIONS	LINE WT. (LBS)	REARGRIP LENGTH (MM)	NUMBER OF GUIDE	HANDLE	TRANSPORT LENGTH (CM)	WEIGHT (G)
LS-8K CARP RODS									
LS8K-CA-802M	M	244	2-pcs	2.50	390	5+Tip	A	125	141
LS8K-CA-1002M	M	305	2-pcs	2.75	410	5+Tip	A	155	193
LS8K-CA-1002MH	MH	305	2-pcs	3.00	410	5+Tip	A	155	221
LS8K-CA-1002H	H	305	2-pcs	3.25	410	5+Tip	A	156	231
LS8K-CA-1202M	M	366	2-pcs	2.75	495	5+Tip	A	186	256
LS8K-CA-1202MH	MH	366	2-pcs	3.00	495	5+Tip	A	186	275
LS8K-CA-1202H	H	366	2-pcs	3.25	520	5+Tip	A	186	301
LS8K-CA-1202XH	XH	366	2-pcs	3.50	520	5+Tip	A	186	330
LS8K-CA-1202XXH	XXH	366	2-pcs	4.00	520	5+Tip	A	186	338
LS8K-CA-1302XH	XH	396	2-pcs	3.50	545	5+Tip	A	202	365
LS8K-CA-1302XXH	XXH	396	2-pcs	4.00	545	5+Tip	A	202	389
SEMI TELE									
LS8K-CA-1003M-T	M	305	3-pcs	2.75	410	5+Tip	B	125	221
LS8K-CA-1003MH-T	MH	305	3-pcs	3.00	410	5+Tip	B	125	237
LS8K-CA-1003H-T	H	305	3-pcs	3.25	410	5+Tip	B	125	252
LS8K-CA-1003XH-T	XH	305	3-pcs	3.50	435	5+Tip	C	125	277
LS8K-CA-1203M-T	M	366	3-pcs	2.75	495	5+Tip	B	152	276
LS8K-CA-1203MH-T	MH	366	3-pcs	3.00	495	5+Tip	B	152	300
LS8K-CA-1203H-T	H	366	3-pcs	3.25	520	5+Tip	B	150	330
LS8K-CA-1203XH-T	XH	366	3-pcs	3.50	540	5+Tip	C	150	350

8K Carp



8K CARP RODS

- 40T Toray carbon material, slim, light and powerful blank construction
- Black stainless steel frame guides with SIC inserts
- Fuji DPS pate reel seat
- Okuma carbon line clip
- Slim and Ergonomic shape EVA with durable shrink tube butt handle
- Engraved aluminum butt cap
- High quality cloth bag

MODEL	PWR	LENGTH (CM)	SECTIONS	LINE WT.(LBS)	FORGRIP LENGTH (MM)	REARGRIP LENGTH (MM)	NUMBER OF GUIDE	WEIGHT (G)
8K CARP RODS								
8K-CA-1002MH	MH	305	2-pcs	3.0	20	560	5+Tip	213
8K-CA-1202MH	MH	366	2-pcs	3.0	20	560	5+Tip	252
8K-CA-1202H	H	366	2-pcs	3.5	20	560	5+Tip	290
8K-CA-1302H	H	396	2-pcs	3.5	20	560	5+Tip	319

LS-6K Carp



LS-6K CARP RODS

- Slim and light weight 30T carbon Blank
- Exclusive Okuma BOPP blank covering
- Okuma DPS reel seat
- Okuma carbon line clip
- Ergonomic shape EVA with durable shrink tube butt handle
- Engraved aluminum butt cap
- High quality cloth bag

MODEL	PWR	LENGTH (CM)	SECTIONS	LINE WT.(G)	FORGRIP LENGTH (MM)	REARGRIP LENGTH (MM)	NUMBER OF GUIDE	WEIGHT (G)
LS-6K CARP RODS								
LS-CA-1002MH	MH	305	2-pcs	3.0	20	560	5+Tip	261
LS-CA-1202MH	MH	366	2-pcs	3.0	20	560	5+Tip	296
LS-CA-1202H	H	366	2-pcs	3.5	20	560	5+Tip	341
LS-CA-1302H	H	396	2-pcs	3.5	20	590	5+Tip	378
LS-CA-1303H	H	396	3-pcs	3.5	20	590	5+Tip	385
LS-CA-1202XXH	XXH	366	2-pcs	5.0	20	560	5+Tip	396



Custom Black Carp

CUSTOM BLACK CARP RODS

- Slim and light weight 24T carbon blank
- SIC Guides
- Heavy Duty Okuma graphite reel seat
- Ergonomic shaped EVA with durable shrink tube handle
- Supplied in a quality rod bag

MODEL	PWR	LENGTH (CM)	SECTIONS	LINE WT.(LBS)	FORGRIP LENGTH (MM)	REARGRIP LENGTH (MM)	NUMBER OF GUIDE	WEIGHT (G)
CUSTOM BLACK CARP								
CB-CA-1202MH	MH	366	2-pcs	3.0	20	560	5+Tip	334
CB-CA-1202H	H	366	2-pcs	3.5	20	560	5+Tip	370
CB-CA-1203H	H	366	3-pcs	3.5	20	560	5+Tip	367
CB-CA-1302H	H	396	2-pcs	3.5	20	590	5+Tip	423
CB-CA-1303H	H	396	3-pcs	3.5	20	590	5+Tip	388
CB-CA-1202XXH	XXH	366	2-pcs	5.0	20	590	5+Tip	391
CB-CA-1302XXH	XXH	396	2-pcs	5.0	20	590	5+Tip	430



C-FIGHT Carp

C-FIGHT CARP RODS

- Light weight 24T carbon blank
- Exclusive camouflage blank covering
- Minimalistic artwork matching UK codes
- Semi matt frame SIC guides
- Starting guide 50mm on 12'0"
- Slim EVA butt handle
- Engraved aluminum butt cap
- Graphite reel seat with cushions
- Telescopic version available

MODEL	PWR	LENGTH (CM)	SECTIONS	LINE WT.(LBS)	FORGRIP LENGTH (MM)	REARGRIP LENGTH (MM)	NUMBER OF GUIDE	WEIGHT (G)
C-FIGHT CARP RODS								
CF-CA-802M	M	244	2-pcs	2.50	N/A	380	5+Tip	168
CF-CA-902M	M	274	2-pcs	2.75	N/A	450	5+Tip	208
CF-CA-1002MH	MH	305	2-pcs	3.00	N/A	500	5+Tip	273
CF-CA-1202MH	MH	366	2-pcs	3.00	N/A	550	5+Tip	327
CF-CA-1202H	H	366	2-pcs	3.25	N/A	550	5+Tip	354
CF-CA-1202XH	XH	366	3-pcs	3.50	N/A	550	5+Tip	378
CF-CA-1203XH	XH	366	3-pcs	3.50	N/A	550	5+Tip	350
CF-CA-1302XH	XH	396	2-pcs	3.50	N/A	550	6+Tip	408
CF-CA-1202XXH	XXH	366	2-pcs	4.5	N/A	550	5+Tip	382
CF-CA-1206H-T	H	366	6-Tele	3.25	N/A	570	5+Tip	295
CF-CA-1206XH-T	XH	366	6-Tele	3.50	N/A	570	5+Tip	312
CF-CA-1306XH-T	XH	396	6-Tele	3.50	N/A	570	5+Tip	334



AVENGER Carp

AVENGER CARP RODS

- Light weight carbon blanks
- Quality stainless steel guides
- Heavy Duty Okuma graphite reel seat
- Supplied in rod bag

MODEL	PWR	LENGTH (CM)	SECTIONS	LINE WT.(LBS)	FORGRIP LENGTH (MM)	REARGRIP LENGTH (MM)	NUMBER OF GUIDE	WEIGHT (G)
AVENGER CARP RODS								
AV-CA-1002MH	MH	305	2-pcs	3.0	20	500	5+Tip	268
AV-CA-1202MH	MH	366	2-pcs	3.0	20	560	5+Tip	324
AV-CA-1202H	H	366	2-pcs	3.5	20	560	5+Tip	344
AV-CA-1203H	H	366	3-pcs	3.5	20	560	5+Tip	367
AV-CA-1302H	H	396	2-pcs	3.5	20	560	6+Tip	420
AV-CA-1206MH-T	MH	366	6-Tele	3.5	20	560	5+Tip	305
AV-CA-1206H-T	H	366	6-Tele	3.5	20	560	5+Tip	319

LONGBOW Carp



LONGBOW CARP RODS

- Durable carbon blanks construction
- Quality stainless steel minima guides
- Okuma DPS pipe reel seat

MODEL	PWR	LENGTH (CM)	SECTIONS	LINE WT.(LBS)	FORGRIP LENGTH (MM)	REARGRIP LENGTH (MM)	NUMBER OF GUIDE	WEIGHT (G)
LONGBOW CARP RPDS								
LB-CA-1202H	H	366	2-pcs	3.5	20	560	5+Tip	365
LB-CA-1302H	H	396	2-pcs	3.5	20	560	5+Tip	388

ALTERA



ALTERA TELE CAST RODS

- Light weight 24T carbon blank
- Matt gunsmoke frame SIC guides
- Okuma graphite reel seat
- Slim EVA butt handle
- Aluminum screw end cap with non-skid rubber
- Supplied in quality cloth bag

MODEL	PWR	LENGTH (CM)	SECTIONS	LURE WT.(G)	FORGRIP LENGTH (MM)	REARGRIP LENGTH (MM)	NUMBER OF GUIDE	WEIGHT (G)
ALTERA TELE CAST RODS								
ALT-S-1206MH-T	MH	366	6-Tele	40-80	N/A	510	5+Tip	278
ALT-S-1206H-T	H	366	6-Tele	50-100	N/A	510	5+Tip	296
ALT-S-1306H-T	H	396	6-Tele	60-120	N/A	540	5+Tip	364



8K

8K FEEDER RODS

- Ultra light 40T carbon blank construction
- Faster action with 2 different power tips
- Black frame SIC guides
- Fuji DPS plate reel seat
- AAA cork quality full handle
- High quality rods bags

MODEL	PWR	LENGTH (CM)	SECTIONS	LURE WT.(G)	FORGRIP LENGTH (MM)	REARGRIP LENGTH (MM)	NUMBER OF GUIDE	WEIGHT (G)
8K FEEDER RODS								
8K-F-1002M	M	305	2-pcs	30	65	430	12+Tip	130
8K-F-1102M	M	335	2-pcs	45	65	430	12+Tip	139
8K-F-1203M	M	366	3-pcs	20-60	65	450	13+Tip	186
8K-F-1203MH	MH	366	3-pcs	40-80	65	450	13+Tip	192
8K-F-1203H	H	366	3-pcs	60-120	65	450	13+Tip	202
8K-F-1303MH	MH	396	3-pcs	40-80	65	450	14+Tip	206
8K-F-1303H	H	396	3-pcs	60-120	65	450	14+Tip	208
8K-F-1403XH	XH	427	3-pcs	150	65	470	15+Tip	264

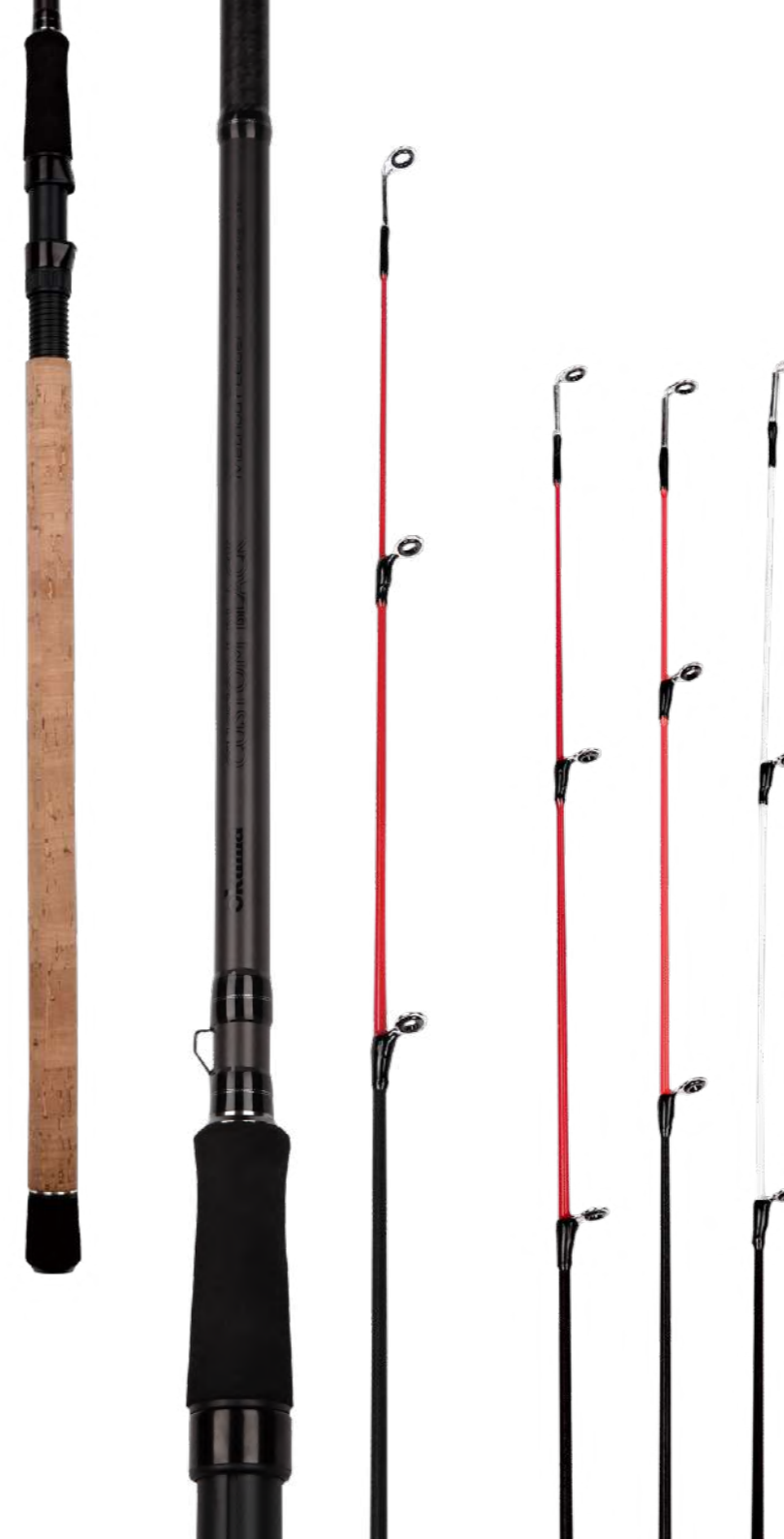


LS-6K

LS-6K FEEDER RODS

- Slim and light weight 30T carbon blanks
- Faster action with 2 different power tips
- Exclusive Okuma BOPP blank covering
- Gun-smoke SIC guides
- Okuma DPS reel seat
- Quality cork quality full handle
- Supplied in quality rods bags

MODEL	PWR	LENGTH (CM)	SECTIONS	LURE WT.(G)	FORGRIP LENGTH (MM)	REARGRIP LENGTH (MM)	NUMBER OF GUIDE	WEIGHT (G)
LS-6K FEEDER RODS								
6K-F-1002M	M	305	2-pcs	30	65	430	12+Tip	163
6K-F-1102M	M	335	2-pcs	45	65	430	12+Tip	175
6K-F-1203M	M	366	3-pcs	20-60	65	450	13+Tip	191
6K-F-1203MH	MH	366	3-pcs	40-80	65	450	13+Tip	204
6K-F-1203H	H	366	3-pcs	60-120	65	450	13+Tip	216
6K-F-1303MH	MH	396	3-pcs	40-80	65	450	14+Tip	219
6K-F-1303H	H	396	3-pcs	60-120	65	450	14+Tip	235
6K-F-1203XH	XH	366	3-pcs	>150	65	450	13+Tip	252
6K-F-1303XH	XH	396	3-pcs	>150	65	470	14+Tip	261
6K-F-1403XH	XH	427	3-pcs	>150	65	470	15+Tip	305
6K-F-1203XXH	XXH	366	3-pcs	>180	65	450	13+Tip	275
6K-F-1303XXH	XXH	396	3-pcs	>180	65	470	14+Tip	292



Custom Black Feeder

CUSTOM BLACK FEEDER RODS

- Slim and light weight 30T carbon blanks
- Fast action with 3 different power tips
- Unique use of Bopp Blank protect film
- Quality stainless steel guides
- Okuma graphite reel seat
- Supplied in quality rod bag

MODEL	PWR	LENGTH (CM)	SECTIONS	LURE WT.(G)	FORGRIP LENGTH (MM)	REARGRIP LENGTH (MM)	NUMBER OF GUIDE	WEIGHT (G)
CUSTOM BLACK FEEDER RODS								
CB-F-1003MH	MH	305	3-pcs	>80	65	450	12+Tip	172
CB-F-1203MH	MH	366	3-pcs	40-80	65	450	13+Tip	219
CB-F-1203H	H	366	3-pcs	60-120	65	450	13+Tip	248
CB-F-1303MH	MH	396	3-pcs	40-80	65	450	14+Tip	249
CB-F-1303H	H	396	3-pcs	60-120	65	450	14+Tip	294
CB-F-1103MH	MH	335	3-pcs	>60	65	430	12+Tip	197
CB-F-1203MH	MH	366	3-pcs	>60	65	450	13+Tip	213
CB-F-1203XH	XH	366	3-pcs	>150	65	450	13+Tip	245
CB-F-1303XH	XH	396	3-pcs	>150	65	470	14+Tip	299
CB-F-1403XH	XH	427	3-pcs	>150	65	490	15+Tip	327

Ceymar



CEYMAR FEEDER RODS

- Slim and balance carbon blank construction
- Progressive action
- Supplied with 3 solid tips in tube
- Quality stainless steel frame guides
- Polished Titanium Oxide guide inserts
- Okuma DPS reel seat
- Quality cork and EVA handles
- Supplied in quality rods bag

MODEL	PWR	LENGTH (CM)	SECTIONS	LURE WT.(G)	FOREGRIP LENGTH (MM)	REARGRIP LENGTH (MM)	NUMBER OF GUIDE	WEIGHT (G)
FEEDER								
C-F-1003MH	MH	305	3-pcs	40-80	65	450	12+Tip	202
C-F-1203MH	MH	366	3-pcs	40-80	65	450	13+Tip	261
C-F-1203H	H	366	3-pcs	60-120	65	450	13+Tip	282
C-F-1303MH	MH	396	3-pcs	40-80	65	450	14+Tip	295
C-F-1303H	H	396	3-pcs	60-120	65	450	14+Tip	334
METHOD FEEDER								
C-F-1103MH-1	MH	335	3-pcs	>60g	65	430	12+Tip	232
C-F-1203MH-1	MH	366	3-pcs	>60g	65	450	13+Tip	254
RIVER FEEDER								
C-F-1303XH-1	XH	396	3-pcs	>150g	65	450	14+Tip	369
C-F-1403XH-1	XH	427	3-pcs	>150g	65	470	15+Tip	386

OKUMA FEEDER SOLID TIP

- Okuma Standard Feeder solid tips
- They are workable for all Okuma feeder rods, like Ceymar feeder/Custom feeder/LS-6k/8K feeder rods
- Solid Glass 1oz/2oz/3oz and Solid carbon 3oz/4oz/5oz are available
- You can choose anyone for your feeder rods, or as the spare parts

MODEL	PWR
Feeder Solid Tip LG	Feeder Solid Glass Tip LG 1oz Green
Feeder Solid Tip MLG	Feeder Solid Glass Tip MLG 2oz White
Feeder Solid Tip MG	Feeder Glass Solid Tip MG 3oz Yellow
Feeder Solid Tip MC	Feeder Carbon Solid Tip MC 3oz Yellow
Feeder Solid Tip MHC	Feeder Carbon Solid Tip MHC 4oz Orange
Feeder Solid Tip HC	Feeder Carbon Solid Tip HC 5oz Red
Feeder Tip PVC tube	Feeder Solid Tip PVC tube



Custom Black



CUSTOM BLACK MATCH RODS

- 30T+40T Hi modulus carbon, slim, light weight and balanced blanks
- Okuma Unique Bopp blank protect film
- Quality stainless steel frame guides
- Polished Titanium Oxide guide inserts
- Okuma DPS pipe reel seat
- Quality cork and EVA handles
- Supplied in quality rods bag

MODEL	PWR	LENGTH (CM)	SECTIONS	LURE WT.(G)	FOREGRIP LENGTH (MM)	REARGRIP LENGTH (CM)	NUMBER OF GUIDE	WEIGHT (G)
CUSTOM BLACK MATCH RODS								
CB-MA-1303M	M	396	3-pcs	5-25	65	430	12+Tip	204
CB-MA-1303MH	MH	396	3-pcs	10-35	65	430	12+Tip	216
CB-MA-1403M	M	427	3-pcs	5-25	65	430	13+Tip	221

Ceymar



CEYMAR MATCH / FEEDER RODS

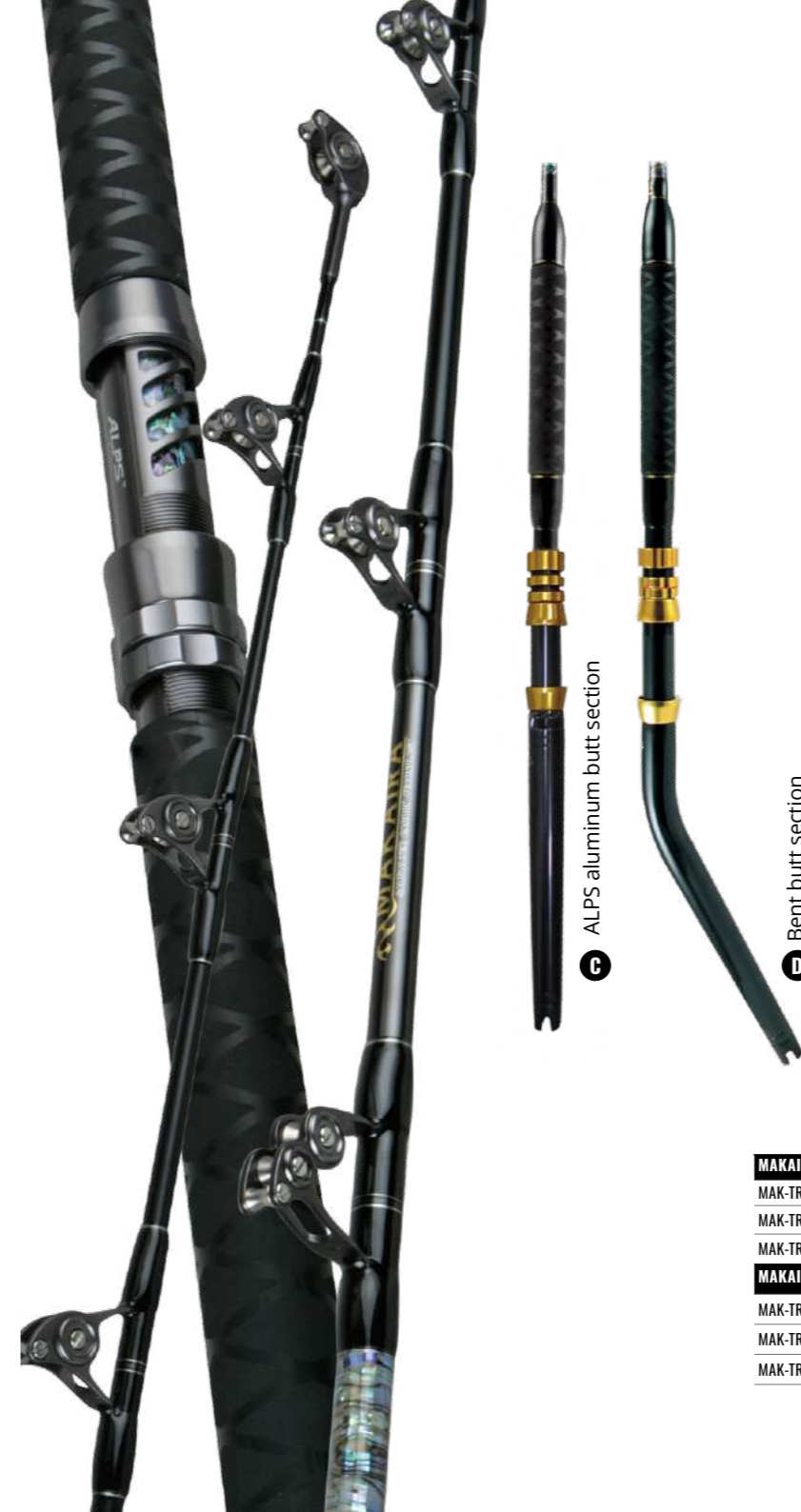
- Light weight and balance carbon blank construction
- Progressive action
- Quality stainless steel frame guides
- Polished Titanium Oxide guide inserts
- Okuma DPS pipe reel seat
- Quality cork and EVA handles
- Supplied in quality rods bag

MODEL	PWR	LENGTH (CM)	SECTIONS	LURE WT.(G)	FOREGRIP LENGTH (MM)	REARGRIP LENGTH (MM)	NUMBER OF GUIDE	WEIGHT (G)
CEYMAR MATCH								
C-M-1403M	M	396	3-pcs	5-25	65	430	12+Tip	237
C-M-1403MH	MH	427	3-pcs	10-35	65	430	12+Tip	239
C-M-1403M	M	427	3-pcs	5-25	65	430	13+Tip	257



ALPS RX PREMIUM ROLLER GUIDES

- * Tournament IGFA series rods feature blank and gold RX roller guides
- * All Roller Trolling rods feature gunsmoke RX roller guides

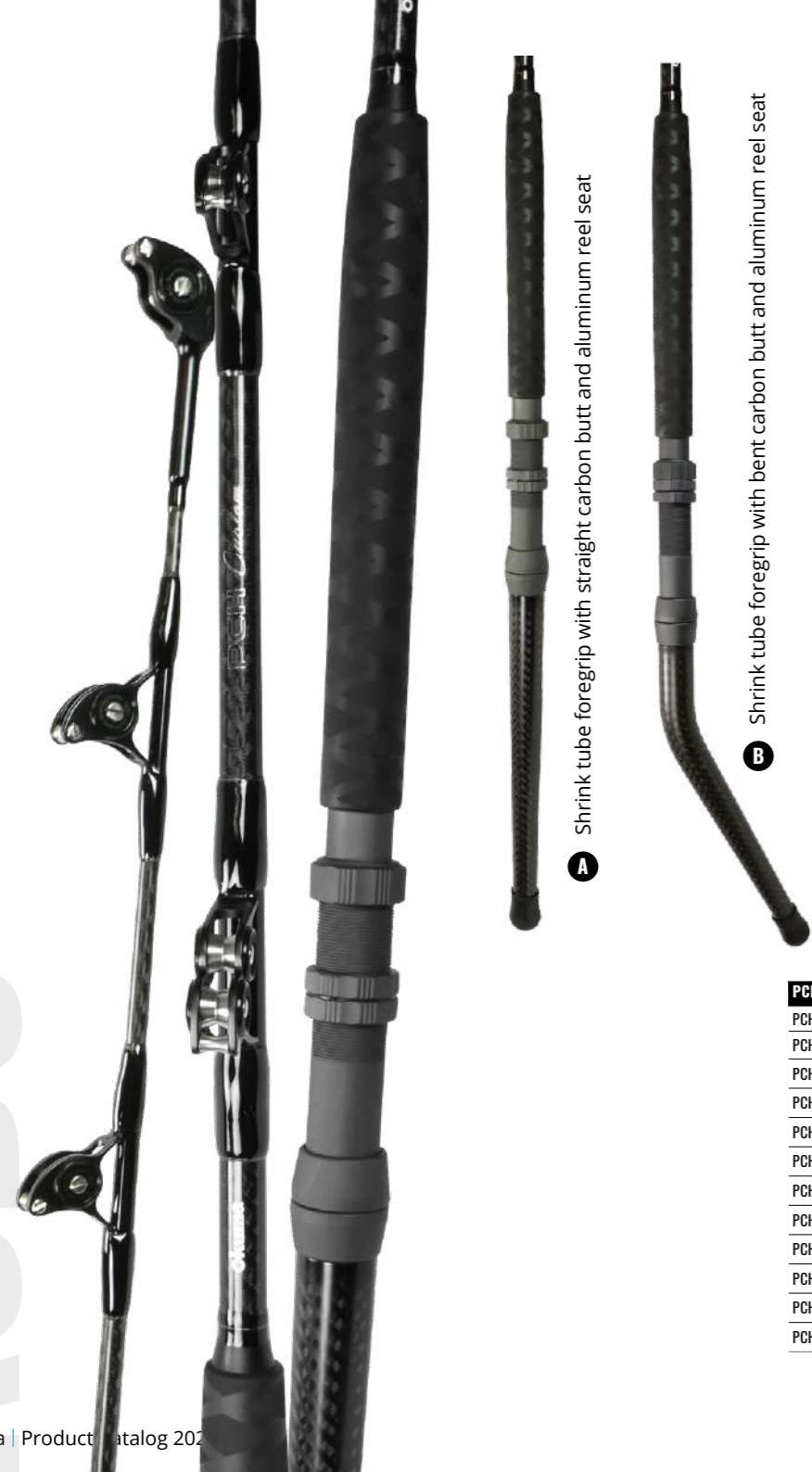


MAKAIRA[®] SALTWATER CARBON TECHNOLOGY

MAKAIRA RODS

- Carbon composite rod blank technology
- ALPS deep press 316 stainless guide frames
- Hard Zirconium guide inserts for compatibility with braided lines
- Custom ALPS aluminum reel seats with Abalone under lay
- IGFA tournament rods with full straight or bent aluminum rod butts
- Shrink tube grips for ultimate durability
- ALPS roller guides on trolling rods with large knot clearance
- Aluminum gimbals on trolling and popping rods
- Integrated rubber butt cap/gimbal design on all casting and spinning rods
- Custom abalone decoration above fore grip
- Custom leather wrapped fore grip on IGFA Stand Up rods

MODEL	PWR	ROD TAPER	LENGTH (CM)	LINE WT.(G)	LURE WT. (G)	SECTIONS	FOREGRIP LENGTH (MM)	REARGRIP LENGTH (MM)	NUMBER OF GUIDE	HANDLE	WEIGHT (G)
MAKAIRA IGFA STRAIGHT BUTT STAND-UP RODS											
MAK-TR-581-30S	H	M/MF	173	30	N/A	1-pcs	330	300	4 + Tip	C	1012
MAK-TR-581-50S	XH	M/MF	173	50	N/A	1-pcs	330	300	4 + Tip	C	1055
MAK-TR-5101-80S	XXXH	M/MF	178	80	N/A	1-pcs	330	360	4 + Tip	C	1165
MAKAIRA IGFA BENT BUTT STAND-UP RODS											
MAK-TR-5101-50B	XH	M/MF	178	50	N/A	1-pcs	330	380	4 + Tip	D	1311
MAK-TR-5101-80B	XXH	M/MF	178	80	N/A	2-pcs	330	380	4 + Tip	D	1342
MAK-TR-5101-120B	XXH	M/MF	178	120	120 lbs	2-pcs	330	380	4 + Tip	D	1440



A Shrink tube foregrip with straight carbon butt and aluminum reel seat

B Shrink tube foregrip with bent carbon butt and aluminum reel seat

PCH Custom

PCH CUSTOM TROLLONG RODS

- Durable 24-ton carbon and E-Glass constructed rod blanks
- 3K-woven carbon outer blank wrap improves hoop strength
- ALPS RX series roller guides with 316 stainless steel rollers
- Proprietary curved or straight woven carbon fiber butt sections
- Detachable butt section with machined aluminum reel seats
- Tapered shrink tube foregrips offer maximum durability

MODEL	PWR	LENGTH	SECTIONS	LINE WT.(LBS)	FOREGRIP LENGTH (MM)	REARGRIP LENGTH (MM)	NUMBER OF GUIDE	HANDLE	WEIGHT (G)
PCH CUSTOM RODS									
PCH-TRS-561M	MH	168	1-pcs	40-100	330	330	4+Tip	A	754
PCH-TRS-561MH	MH	168	1-pcs	60-130	330	330	4+Tip	A	771
PCH-TRS-5101H	H	155	1-pcs	80-150	279	355	4+Tip	A	970
PCH-TRS-5101XH	XH	155	1-pcs	100-250	279	355	4+Tip	A	1026
PCH-TRS-661M	M	198	1-pcs	40-100	330	330	5+Tip	A	839
PCH-TRS-661MH	MH	198	1-pcs	60-130	330	355	5+Tip	A	853
PCH-TRS-6101H	H	185	1-pcs	80-150	279	393.7	5+Tip	A	1014
PCH-TRS-6101XH	XH	185	1-pcs	100-250	279	393.7	5+Tip	A	1134
PCH-TRB-5101H	H	155	1-pcs	80-150	279	355	5+Tip	B	833
PCH-TRB-5101XH	XH	155	1-pcs	100-250	279	355	5+Tip	B	899
PCH-TRB-6101H	H	185	1-pcs	80-150	279	393.7	5+Tip	B	907
PCH-TRB-6101XH	XH	185	1-pcs	100-250	279	393.7	5+Tip	B	1006



SLX



OKUMA WOVEN CARBON BUTT

- 220g lighter for the Bent one
- 150g lighter for the straight one
- Strength 30kg broken the Alu reel seat, but the carbon is no problem
- 2# straight/bent and 4# straight/bent are available
- Changeable with ALPS Alu butt
- MOQ 5pcs for our Okuma friends
- Supplied in quality bag

MODEL	TRANSPORT LENGTH (MM)	CONNECTION ID (MM)	HANDLE	WEIGHT (G)
OKUMA CARBON BUTT				
Carbon Straight Butt #2	465	24.8	A	316
Carbon Straight Butt #4	585	28.8	A	466
Carbon Bent Butt #2	510	24.8	B	383
Carbon Bent Butt #4	570	28.8	B	448

SLX TROLLING RODS

- Responsive and durable 24-ton carbon blank construction
- Split handle ferrule connection, for natural bending and easy transportation
- Anti-tangle stainless steel guides frames
- Zirconium guides inserts reduce friction from braided lines
- Machined aluminum reel seat with extra locking nut

MODEL	PWR	LENGTH (CM)	SECTIONS	LINE WT.(LBS)	FOREGRIP LENGTH (MM)	REARGRIP LENGTH (MM)	NUMBER OF GUIDE	WEIGHT (G)
SLX RODS								
SLX-C-682ML	ML	203	1+1	4-6	220	375	7+TIP	283
SLX-C-682M	M	203	1+1	8-12	220	375	7+TIP	295
SLX-C-682MH	MH	203	1+1	16-20	220	375	7+TIP	320

SLY



SLY RODS

- Durable E-glass blank construction
- Fuji K-concept tangle free guides with Alconite inserts
- Special spiral guides design for all trolling and tuna rods
- ALPS Aluminum reel seat with large knot clearance
- Alps Aluminum gimbal

MODEL	PWR	LENGTH (CM)	SECTIONS	LINE WT.(LBS)	FOREGRIP LENGTH (MM)	REARGRIP LENGTH (MM)	NUMBER OF GUIDE	WEIGHT (G)
SLY TROLLING RODS								
SLY-C-661ML	ML	198	1+1	6-8	270	300	9+Tip	442
SLY-C-621M	M	185	1+1	12-20	270	300	8+Tip	458
TUNA								
SLY-C-621MH	MH	185	1+1	20-30	270	300	8+Tip	534
SLY-C-621H	H	185	1+1	30-50	270	300	8+Tip	562

CORTEZ



CORTEZ BOAT RODS

- Light weight, high modulus carbon fiber blanks
- Stainless steel highrise guide frames with SIC rings
- Deluxe Okuma silver label reel seats
- Hard, durable EVA handle
- Okuma rubber gimbal for sea fishing
- High quality cloth bag package
- 3-sec rods supplied in deluxe travel bag

MODEL	PWR	LENGTH (CM)	SECTIONS	LINE WT.(LBS)	FOREGRIP LENGTH (MM)	REARGRIP LENGTH (MM)	NUMBER OF GUIDE	WEIGHT (G)
CORTEZ BOAT RODS								
CZ-C-662M	M	198	2-pcs	20-30	200	30	8+Tip	287
CZ-C-662MH	MH	223	2-pcs	30-50	200	30	8+Tip	298
CZ-C-742L	L	224	2-pcs	6-12	200	300	9+Tip	293
CZ-C-742ML	ML	224	2-pcs	12-20	200	300	9+Tip	298
CZ-C-742M	M	224	2-pcs	20-30	200	300	9+Tip	302
CZ-C-742MH	MH	224	2-pcs	30-50	200	300	9+Tip	306
TRAVEL CAST								
CZ-C-663M	M	198	3-pcs	20-30	230	340	8+Tip	309
CZ-C-663MH	MH	198	3-pcs	30-50	230	340	8+Tip	320

Cold Water



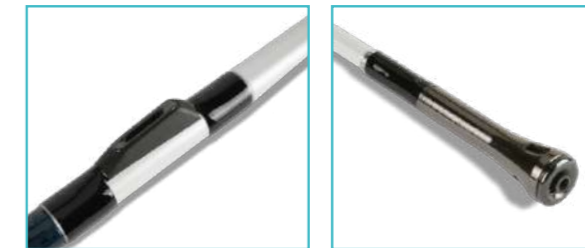
Pipe reel seat with EVA fore and rear grips and rubber gimbal

AZORES V2



COLD WATER RODS

- Responsive and durable 24-ton carbon blank construction
- Okuma Stronger DPS reel seat
- EVA fore grips and Durable shrink tube rear grips
- Okuma rubber gimbal on all models
- High quality guide lines special for inline rods



MODEL	PWR	LENGTH (CM)	SECTIONS	LINE WT.(LBS)	FOREGRIP LENGTH (MM)	REARGRIP LENGTH (CM)	NUMBER OF GUIDE	WEIGHT (G)
COLD WATER INLINE RODS								
CW-C-742M	M	220	1+1	30	290	315	1+Tip	325
CW-C-742MH	MH	220	1+1	50	290	315	1+Tip	332
CW-C-742H	H	220	1+1	70	290	315	1+Tip	347

AZORES V2 BLUE RODS

- Korean Quality high modulus carbon material
- Split handle ferrule connection design on popping rods
- ALPS deep press 316 stainless steel frames
- Zirconium guides inserts reduce friction from braided lines
- Hard, durable EVA handles
- Integrated rubber butt cap/gimbal
- 2-tone anodized metal parts
- Better quality cloth bag package

MODEL	PWR	LENGTH (CM)	SECTIONS	LINE WT.	LURE WT. (G)	FOREGRIP LENGTH (MM)	REARGRIP LENGTH (MM)	NUMBER OF GUIDE	WEIGHT (G)
AZORES POPPING RODS									
AZ-S-792MH	MH	236	1+1	PE 4-6	45-150	180	425	6+Tip	366
AZ-S-792H	H	236	1+1	PE 6-8	60-190	180	425	6+Tip	443
AZ-S-793MH	MH	236	3-pcs	PE 4-6	45-150	180	385	6+Tip	378



TPE/Compressed cork rear split grip with Fuji pipe reel seat

METALOID S



HAWAIIAN CUSTOM POPPING RODS

- Light and responsive 24/30-Ton, low resin carbon rod blanks
- 70/30 rod blank design, 2-pcs construction butted in foregrip
- Premium Fuji reel seat for maximum reliability
- Fuji K-concept double foot guide frames, help reduce tangles
- Fuji Alconite guide inserts for abrasion resistance
- Oversized guide sizing allows for improved knot clearance while casting
- 2-pcs blank aides in transportation, but offers max power, based on ferrule location
- Tapered TPE foregrip with TPE rear split grips for reduced weight and balance

MODEL	PWR	LENGTH (CM)	SECTIONS	LINE WT.(LBS)	LURE WT.(G)	FOREGRIP LENGTH (MM)	REARGRIP LENGTH (MM)	NUMBER OF GUIDE	WEIGHT (G)
HAWAIIAN CUSTOM POPPING RODS									
HWP-S-832Ma	M	251	1+1	30-60	30-160	140	490	6+Tip	378
HWP-S-832MHa	MH	251	1+1	50-100	90-200	165	520	6+Tip	396

METALOID S POPPING RODS

- KOREAN Quality carbon material
- OC-9 carbon outer wrap to improve blank strength
- Deep press tangle free frame SIC guides
- Fuji black reel seat with LO/AN double lock
- Hard black EVA handles with slim dark grey design
- Extended front handle for fight gripping
- Pac bay graphite gimbal
- Fast dry mesh rod bag

The metalloids rods are made to handle the toughest saltwater fishing, only using the best materials and components available. These rods will cast the big lures and poppers, and fight the torpedoes of the ocean.

MODEL	PWR	LENGTH (CM)	SECTIONS	LINE WT.(LBS)	LURE WT.(G)	FOREGRIP LENGTH (MM)	REARGRIP LENGTH (MM)	NUMBER OF GUIDE	WEIGHT (G)
METALOID S POPPING RODS									
MTL-S-762Ma	M	229	1+1	30-65	30-160	165	455	6+Tip	320
MTL-S-792Ma	M	236	1+1	50	50-150	195	455	6+Tip	343
MTL-S-792MHa	MH	236	1+1	80	80-200	195	455	6+Tip	361



METALOID

METALOID JIGGING RODS

- Extremely light weight and responsive 24T carbon rods blanks
- Okuma special blanks design to improve hoop strength
- Crossed carbon design to highlight METALIOD jiggging and reinforce the whole rod
- ALPS deep press 316 stainless steel guides frame for saltwater fishing
- Zirconium guides inserts reduce friction from braided lines
- Fuji reel seat on casting and spinning models
- 2-tone anodized metal parts
- Fast dry mesh rod bag
- 4 new modes with new cosmetic

MODEL	PWR	LENGTH	SECTIONS	LINE WT.	LURE WT. (G)	FOREGRIP LENGTH (MM)	REARGRIP LENGTH (MM)	NUMBER OF GUIDE	HANDLE STYLE	WEIGHT (G)
METALOID RODS										
MTL-S-531L	L	160	1-pcs	PE 1.5-4	100-200	150	410	5+Tip	A	220
MTL-S-501M	M	152	1-pcs	PE 3-6	200-350	150	410	5+Tip	A	287
MTL-C-531L	L	160	1-pcs	PE 1.5-4	100-200	150	410	6+Tip	B	237
MTL-C-501M	M	152	1-pcs	PE 3-6	200-350	150	410	6+Tip	B	298
M-C-531ML	ML	160	1-pcs	PE 2-4	<200	150	410	6+Tip	C	291
M-C-531M	M	160	1-pcs	PE 3-5	<300	150	410	6+Tip	C	313
M-C-521MH	MH	160	1-pcs	PE 4-6	<400	150	410	6+Tip	C	326

C = Casting Model S = Spinning Model



TESORO

TESORO JIGGING RODS

- Extremely light weight and responsive 24T carbon rod blanks
- UFR: Ultimate Flex Reinforcement technology increases
- ALPS high-rise 316 stainless steel frame SIC guides
- ALPS Aluminum anodized gimbal with rubber cover
- Fuji heavy duty reel seat with LO/AN double lock
- Special camou BOPP blank covering
- High quality rods bag



MODEL	PWR	LENGTH (CM)	SECTIONS	LINE WT.	LURE WT. (G)	FOREGRIP LENGTH (MM)	REARGRIP LENGTH (CM)	NUMBER OF GUIDE	HANDLE	WEIGHT (G)
TESORO JIGGING RODS										
TSR-C-511ML	ML	155	1-pc	PE1-3	100-200	150	400	6+Tip	A	264
TSR-C-511M	M	155	1-pc	PE3-5	250-350	150	400	6+Tip	A	273
TSR-C-501MH	MH	152	1-pc	PE3.5-5	300-400	150	400	6+Tip	A	275
TSR-C-501H	H	152	1-pc	PE4-6	350-500	150	400	6+Tip	A	278
TSR-C-491XH	XH	145	1-pc	PE5-8	>500	150	400	6+Tip	A	282
TSR-S-511ML	ML	155	1-pc	PE-1-3	100-200	150	390	6+Tip	B	254
TSR-S-511M	M	155	1-pc	PE3-5	250-350	150	390	5+Tip	B	263
TSR-S-501MH	MH	152	1-pc	PE3.5-5	300-400	150	390	6+Tip	B	265
TSR-S-501H	H	152	1-pc	PE4-6	350-500	150	390	6+Tip	B	268
TSR-S-491XH	XH	145	1-pc	PE5-8	>500	150	390	6+Tip	B	276

C = Casting Model S = Spinning Model



METALOID

METALOID SLOW JIGGING RODS

- Slim high modulus carbon blank, with power carbon wrap
- Handle Ferrule connection allows for natural bend of the rod and 1-pc feeling
- Ergonomic shaped, Hard EVA handles
- Strong trigger and pipe Fuji reel seat for casting and spinning models
- Split handle design for reduced weight and add comfort
- Guides from Fuji KWAG Alconite, anti-tangle and saltwater resistant
- Delivered in quality cloth bag

MODEL	PWR	LENGTH (CM)	SECTIONS	LURE WT.(G)	FOREGRIP LENGTH (MM)	REARGRIP LENGTH (CM)	NUMBER OF GUIDE	HANDLE	WEIGHT (G)
METALOID SLOW JIGGING RODS									
TSR-S-661ML	ML	198	1-PCS	20-90	35	410	7+Tip	A	137
TSR-S-661M	M	198	1-PCS	40-150	35	410	7+Tip	A	146
TSR-S-661MH	MH	198	1-PCS	60-200	35	410	7+Tip	A	157
TSR-S-661H	H	198	1-PCS	80-240	35	410	7+Tip	A	167
TSR-S-662M	M	198	1+1	40-150	35	410	7+Tip	A	147
TSR-S-662MH	MH	198	1+1	60-200	35	410	7+Tip	A	159
TSR-C-661ML	ML	198	1+1	20-90	35	410	9+Tip	B	135
TSR-C-661M	M	198	1-PCS	40-150	35	410	9+Tip	B	146
TSR-C-661MH	MH	198	1-PCS	60-200	35	410	9+Tip	B	156
TSR-C-661H	H	198	1-PCS	80-240	35	410	9+Tip	B	166
TSR-C-662M	M	198	1+1	40-150	35	410	9+Tip	B	148
TSR-C-662MH	MH	198	1+1	60-200	35	410	9+Tip	B	158

C = Casting Model S = Spinning Model



TESORO slow jigging

TESORO SLOW JIGGING RODS

- Extremely light weight and responsive 24T carbon rod blanks
- Special camou BOPP blank covering
- 1-pc and 1+1 blank design for perfect bending action
- Fuji K-concept tangle free frame Alconite guides
- Fuji DPS and TCS reel seat
- High quality rods bag

MODEL	PWR	LENGTH (CM)	SECTIONS	LURE WT.(G)	FOREGRIP LENGTH (MM)	REARGRIP LENGTH (MM)	NUMBER OF GUIDE	HANDLE	WEIGHT (G)
TESORO SLOW JIGGING RODS									
TSR-S-661ML	ML	198	1-PCS	20-90	35	410	7+Tip	A	137
TSR-S-661M	M	198	1-PCS	40-150	35	410	7+Tip	A	146
TSR-S-661MH	MH	198	1-PCS	60-200	35	410	7+Tip	A	157
TSR-S-661H	H	198	1-PCS	80-240	35	410	7+Tip	A	167
TSR-S-662M	M	198	1+1	40-150	35	410	7+Tip	A	147
TSR-S-662MH	MH	198	1+1	60-200	35	410	7+Tip	A	159
TSR-C-661ML	ML	198	1+1	20-90	35	410	9+Tip	B	135
TSR-C-661M	M	198	1-PCS	40-150	35	410	9+Tip	B	146
TSR-C-661MH	MH	198	1-PCS	60-200	35	410	9+Tip	B	156
TSR-C-661H	H	198	1-PCS	80-240	35	410	9+Tip	B	166
TSR-C-662M	M	198	1+1	40-150	35	410	9+Tip	B	148
TSR-C-662MH	MH	198	1+1	60-200	35	410	9+Tip	B	158



AZORES

AZORES SLOW JIGGING RODS

- Slim high modulus carbon blank, with power carbon wrap
- Split handle ferrule connection, for natural bending and easy transportation
- Guides from Fuji KWAG Alconite, anti-tangle and saltwater resistant
- Fuji stronger reel seat for sea fishing
- Ergonomic shaped, hard EVA handles
- Integrated rubber butt cap/gimbal
- Delivered in Quality cloth bag

MODEL	PWR	LENGTH (CM)	SECTIONS	LURE WT.(G)	REARGRIP LENGTH (MM)	NUMBER OF GUIDE	WEIGHT (G)
AZORES SLOW JIGGING RODS							
AZ-S-682M	M	203	1+1	20-90	405	6+TIP	162
AZ-S-682MH	MH	203	1+1	60-140	405	6+TIP	187
AZ-S-702MH	MH	213	1+1	60-140	355	6+TIP	194



MAGDA AIR

MAGDA AIR RODS

- Slim high modulus carbon blank, with crossed carbon wrap reinforcement
- Okuma patent UFR TIP technology design on Light jig rods
- All 1-pcs design for perfect bending action
- Fuji K-concept tangle free guies with Alconite inserts
- Spiral guides design for all slow jig rods
- Ergonomic shaped, hard EVA handles
- Fuji reel seat
- High quality cloth bag package



MODEL	PWR	LENGTH (CM)	SECTIONS	LINE WT.	LURE WT. (G)	FOREGRIP LENGTH (MM)	REARGRIP LENGTH (MM)	NUMBER OF GUIDE	HANDLE	WEIGHT (G)
MAGDA AIR SLOW JIG										
MA-C-661ML	ML	198	1-pcs	PE 1	120	N/A	410	9+TIP	B	138
MA-C-661M	M	198	1-pcs	PE 2	160	N/A	410	9+TIP	B	151
MA-C-661MH	MH	198	1-pcs	PE 3	220	N/A	410	9+TIP	B	163
MA-C-661H	H	198	1-pcs	PE 4	300	N/A	410	9+TIP	B	173
MAGDA AIR TAI RUBBER										
MA-C-682H	H	198	1+1	PE0.8-1.5	30-170	N/A	430	12+Tip	D	159
MAGDA AIR LIGHT JIG										
MA-LJS601M	M	183	1-pcs	PE 1-3	90-150	115	350	7+TIP	A	127
MA-LJC601M	M	183	1-pcs	PE 1-3	90-150	25	375	8+TIP	C	125

KOMODO®



KOMODO LIGHT JIGGING RODS

- Slim high modulus carbon blank, with crossed carbon wrap reinforcement
- Okuma patent UFR TIP technology design on Light jig rods
- All 1-pcs design for perfect bending action
- Fuji K-concept tangle free guies with Alconite inserts
- Spiral guides design for all slow jig rods
- Fuji reel seat
- Ergonomic shaped, hard EVA handles
- High quality cloth bag package

MODEL	PWR	LENGTH (CM)	SECTIONS	LINE WT.	LURE WT.(G)	FOREGRIP LENGTH (MM)	REARGRIP LENGTH (MM)	NUMBER OF GUIDE	WEIGHT (G)
KOMODO LIGHT JIGGING RODS									
KD-S-601UL	UL	183	1-pcs	PE0.6-1	40-80	110	345	7+Tip	
KD-S-601L	L	183	1-pcs	PE0.8-1.5	50-100	110	345	7+Tip	
KD-S-601ML	ML	183	1-pcs	PE1-2	60-120	110	345	7+Tip	
KD-S-601M	M	183	1-pcs	PE1.5-3	70-150	110	345	7+Tip	
KD-S-601MH	MH	183	1-pcs	PE2-4	90-180	110	345	7+Tip	

EGI SNIPER



EGI SNIPER RODS

- Toray 46T carbon blank, light weight, sensitive and balanced
- Fuji Titanium K-guides with SIC inserts
- Fuji IPS reel seat with the light EVA for handling good feeling
- Ergonomic split EVA grips design special for the good balance
- 1K woven spigot joint and aligned spots special for the EGI SNIPER
- Supplier in a high quality rod bag

MODEL	PWR	LENGTH (CM)	SECTIONS	LINE WT.	LURE WT.	FOREGRIP LENGTH (MM)	REARGRIP LENGTH (MM)	NUMBER OF GUIDE	WEIGHT (G)
EGI SNIPER RODS									
EGS-S-862M	M	259	2-pcs	PE0.6-1.2	Egi 2.5-4	115	220	8+Tip	99

EPIXOR Egi



EPIXOR EGI RODS

- 40+46T Toray ultra-light carbon blank construction
- Fuji K-concept tangle free stainless steel guides
- Fuji Alconite inserts reduce friction
- Fuji VSS reel seat
- Ergonomic shaped, split EVA handle design to reduce weight
- Durable rubber cork end cap for good balance
- High quality cloth bag package

MODEL	PWR	LENGTH (CM)	SECTIONS	LINE WT.	LURE WT.	FOREGRIP LENGTH (MM)	REARGRIP LENGTH (MM)	NUMBER OF GUIDE	WEIGHT (G)
EPIXOR EGI RODS									
EPI-S-762M	M	229	2-pcs	PE0.6-1.2	Egi 2.5-4	100	250	8+Tip	89
EPI-S-832M	M	251	2-pcs	PE0.6-1.2	Egi 2.5-4	100	250	8+Tip	100

Egi Pro Superlative Carbon Competition



EGIPRO RODS

- Extremely light weight blank under 30T quality carbon construction
- Fuji micro guide set up and SIC top
- Japanese split handle construction
- Hard EVA + rubber cork handles
- Quality reel seat
- Supplied in quality rod bag

The Egi pro are designed to handle the light lures and delicate handling of squids and other light range species.

MODEL	PWR	LENGTH (CM)	SECTIONS	LINE WT.	LURE WT.	FOREGRIP LENGTH (MM)	REARGRIP LENGTH (MM)	NUMBER OF GUIDE	WEIGHT (G)
EGIPRO RODS									
EGI-S-822M	M	249	2-pcs	PE 0.8-1.5	Egi 2.0-3.5	115	245	7-TIP	120

ARIA Egi



ARIA EGI RODS

- 40T Toray ultra-light carbon blank construction
- Fuji KR stainless steel frame guides
- Fuji Alconite inserts reduce friction
- Fuji VSS reel seat, Fuji slidable hook keeper
- Ergonomic shaped, split EVA handle design for reduced weight and feel
- Durable rubber cork end cap for good balance
- High quality cloth bag package

MODEL	PWR	LENGTH (CM)	SECTIONS	LINE WT.	LURE WT.	FOREGRIP LENGTH (MM)	REARGRIP LENGTH (MM)	NUMBER OF GUIDE	WEIGHT (G)
ARIA EGI RODS									
ARA-S-842M	M	254	2-PCS	PE0.6-1.2	Egi 2.0-4.0	950	265	8+Tip	111

FLXTIP



FLXTIP RODS

- Low resin and responsive 24T+30T carbon rod blanks
- Okuma patent UFR technology blank
- UFR: Ultimate Flex Reinforcement rod tip technology
- X-wrap carbon reinforcement on the Butt section
- CCS Seaguide, 316 stainless steel tangle free frame SIC guides
- TVS touch blank pipe reel seat
- Ergonomic shaped, split EVA handle design to reduce weight
- Supplied in quality rods bag



MODEL	PWR	LENGTH (CM)	SECTIONS	LINE WT.	LURE WT.	FOREGRIP LENGTH (MM)	REARGRIP LENGTH (MM)	NUMBER OF GUIDE	WEIGHT (G)
FLXTIP RODS									
FLX-S-762M	M	229	2-pcs	PE0.6-1.2	Egi 2.5-4	40	260	8+Tip	109
FLX-S-832M	M	251	2-pcs	PE0.6-1.5	Egi 2.5-4	40	280	8+Tip	126

ALTERA Egi



ALTERA EGI RODS

- 24T carbon with Okuma UFR technology blank construction
- UFRII: Ultimate Flex Reinforcement rod tip technology
- Fuji quality guides
- TVS touched rod blank pipe reel seat
- Ergonomic shaped, split EVA handle design to reduce weight
- Supplied in quality rods bag



MODEL	PWR	LENGTH (CM)	SECTIONS	LURE WT.	FOREGRIP LENGTH (MM)	REARGRIP LENGTH (MM)	NUMBER OF GUIDE	WEIGHT (G)
ALTERA EGI RODS								
ALT-S-822M	M	249	2-pcs	Egi 2.5-4.0 12-28	33	260	8+Tip	126

ALTERA Egi TELE



ALTERA EGI TELE RODS

- 24T carbon with Okuma UFR technology blank construction
- UFRII: Ultimate Flex Reinforcement rod tip technology
- Fuji quality guides
- TVS touched rod blank pipe reel seat
- Ergonomic shaped, split EVA handle design to reduce weight
- Supplied in quality rods bag

MODEL	PWR	LENGTH (CM)	SECTIONS	LURE WT.	FOREGRIP LENGTH (MM)	REARGRIP LENGTH (MM)	NUMBER OF GUIDE	WEIGHT (G)
ALTERA EGI TELE RODS								
ALT-S-806ML-T	ML	244	6-Tele	Egi 1.8-3.5 10-30	33mm	260mm	7+Tip	121

TATAKY Pro



TATAKY PRO RODS

- 24T ultra-light carbon blank construction with Okuma UFR technology
- UFR: Ultimate Flex Reinforcement rod tip technology
- Visual white tip design
- Fuji Micro guides
- Quality VSS pipe reel seat
- Split EVA handle design to reduce the weight
- Supplied in quality rod bag



MODEL	PWR	LENGTH (CM)	SECTIONS	LURE WT.(G)	FOREGRIP LENGTH (MM)	REARGRIP LENGTH (MM)	NUMBER OF GUIDE	WEIGHT (G)
TATAKY PRO RODS								
TTP-S-682MH	MH	203	2-pcs	150-200	30	440	11+Tip	117

Cold Water

Designed for jigging sabiki rigs when gathering bait, with the design allowing the rig to be wound inside the rod to minimise snagging and tangling when not in use, the Okuma Sabiki UTG rod has been designed from the ground up to overcome the shortcomings of other sabiki rods that have been pointed out to us by frustrated anglers.



COLD WATER RODS

- Durable and light weight 24T Carbon with Okuma UFR technology blanks construction.
- UFRII: Ultimate Flex Reinforcement rod tip technology.
- Reduces tangles and simplifies sabiki storage
- Improved design features
- Two piece design with butt join
- Additional length to suit more sabiki jig brands
- Okuma DPS pipe reel seat and eva grips



MODEL	PWR	LENGTH (CM)	SECTIONS	LINE WT.(LBS)	FOREGRIP LENGTH (MM)	REARGRIP LENGTH (MM)	NUMBER OF GUIDE	WEIGHT (G)
SLY TROLLING RODS								
CW-C-732SBK	MH	221	1+1	10-20	120	275	N/A	238

CEDROS Surf



CEDROS SURF RODS

- Toray 40T high modulus carbon blank construction
- COMPETITION SENSOR TIP, solid carbon inserted hybrid tip
- Fuji K-concept guides with Alconite insert and SIC top
- Fuji DPS screw-lock reel seat with cushioned hood
- Ergonomic butt grip
- High quality rods bag

MODEL	PWR	LENGTH (CM)	SECTIONS	LURE WT.(G)	FOREGRIP LENGTH (CM)	REARGRIP LENGTH (CM)	NUMBER OF GUIDE	WEIGHT (G)
SLY TROLLING RODS								
CJ-S-1403H	H	420	3-pcs	100-200	N/A	700	7+Tip	473
CJ-S-1503H	H	450	3-pcs	100-200	N/A	700	7+Tip	499

AZORES XP



AZORES XP RODS

- Toray 40T high modulus carbon blank construction
- Fuji K-concept guides with Alconite insert
- Fuji DPS screw-lock reel seat with cushioned hood
- Anti slip handle design
- High quality rods bag

MODEL	PWR	LENGTH (CM)	SECTIONS	LURE WT.(G)	FOREGRIP LENGTH (CM)	REARGRIP LENGTH (CM)	NUMBER OF GUIDE	WEIGHT (G)
SLY TROLLING RODS								
ZXP-S-1403H	H	427	3-pcs	100-200g	N/A	700mm	7+Tip	443
ZXP-S-1503H	H	457	3-pcs	100-200g	N/A	700mm	7+Tip	468

AZORES II



AZORES II RODS

- AZORE SURF upgraded version, lighter and better balance
- 40T high modulus Toray carbon blank construction
- OC-9 carbon outer wrap and solid carbon tip
- Fuji or Local deep press resistant guide frames
- Fuji DPS pipe reel seat
- Anti slip handle design
- High quality rods bag

MODEL	PWR	LENGTH (CM)	SECTIONS	LURE WT.(G)	REARGRIP LENGTH (MM)	NUMBER OF GUIDE	WEIGHT (G)
AZORES II RODS							
AZII-S-4203H	H	420	3-pcs	100-200	670	5+Tip	368
AZII-S-4203XH	XH	420	3-pcs	120-250	670	5+Tip	398
AZII-S-4503H	H	450	3-pcs	100-200	670	5+Tip	393
AZII-S-4503XH	XH	450	3-pcs	120-250	670	5+Tip	433

MASTER Surf



MASTER SURF RODS

- 30T Japanese carbon material and faster action blank construction
- Seaguide deep-press guide frames with SIC inserts
- ALPS Deluxe Reel seat
- Shrink wrap Non slip handle
- High quality handbag package

MODEL	PWR	LENGTH (CM)	SECTIONS	LURE WT.(G)	FOREGRIP LENGTH	REARGRIP LENGTH (MM)	NUMBER OF GUIDE	WEIGHT (G)
SLY TROLLING RODS								
MST-S-1503M	M	457	3-pcs	120	N/A	690	7+TIP	462
MST-S-1503MH	MH	457	3-pcs	160	N/A	690	7+TIP	546
MST-S-1503H	H	457	3-pcs	200	N/A	690	7+TIP	617

TRIO-REX ARENA



TRIO-REX ARENA RODS

- 30T Korean carbon blank with HYBRID TIP
- Saltwater resistant deep press guides
- Okuma Branded quality reel seat
- Anti-slip handle design
- Supplied in a quality rod bag

MODEL	PWR	LENGTH (CM)	SECTIONS	LURE WT.(G)	FOREGRIP LENGTH	REARGRIP LENGTH (MM)	NUMBER OF GUIDE	WEIGHT (G)
TRIO-REX ARENA RODS								
TXA-S-1403M	M	427	3-pcs	60-100	N/A	685	7+TIP	415
TXA-S-1503M	M	457	3-pcs	60-100	N/A	685	7+TIP	454

TRIO- REX SURF



TRIO-REX SURF RODS

- 30T Korean Carbon material construction
- Saltwater resistant High rise guides
- Okuma Branded quality reel seat
- Anti slip handle
- Easy grip connection construction
- Supplied in a quality rod bag

MODEL	PWR	LENGTH (CM)	SECTIONS	LURE WT.(G)	FOREGRIP LENGTH	REARGRIP LENGTH (MM)	NUMBER OF GUIDE	WEIGHT (G)
TRIO-REX SURF RODS								
TX-S-1002H	H	305	2-pcs	100-200	N/A	550	5+Tip	281
TX-S-1103H	H	335	3-pcs	100-200	N/A	580	5+Tip	314
TX-S-1203H	H	366	3-pcs	100-200	N/A	600	5+Tip	360
TX-S-1303H	H	396	3-pcs	100-200	N/A	600	5+Tip	412
TX-S-1403H	H	427	3-pcs	100-200	N/A	600	5+Tip	469
TX-S-1403XH	XH	427	3-pcs	120-250	N/A	660	5+Tip	555
TX-S-1503H	H	457	3-pcs	100-200	N/A	660	6+Tip	502
TX-S-1503XH	XH	457	3-pcs	120-250	N/A	660	6+Tip	581

SURFLINER SURF



SURFLINER SURF RODS

- Light weight and responsive HM carbon construction
- Quality stainless steel guides
- Anti-slip grip for easy put in / take off
- Okuma graphite cushion reel seat
- ALPS rubber end cap for anti-slip
- Delivered in cloth bag

MODEL	PWR	LENGTH (CM)	SECTIONS	LURE WT.(G)	FOREGRIP LENGTH	REARGRIP LENGTH (MM)	NUMBER OF GUIDE	WEIGHT (G)
SURFLINER SURF RODS								
SFL-S-1002H	H	305	2-pcs	100-200	N/A	550	5+Tip	290
SFL-S-1103H	H	335	3-pcs	100-200	N/A	580	5+Tip	331
SFL-S-1203H	H	366	3-pcs	100-200	N/A	600	5+Tip	378
SFL-S-1303H	H	396	3-pcs	100-200	N/A	600	5+Tip	413
SFL-S-1403H	H	427	3-pcs	100-200	N/A	660	5+Tip	470
SFL-S-1403XH	XH	427	3-pcs	120-250	N/A	660	6+Tip	506
SFL-S-1503H	H	457	3-pcs	100-200	N/A	660	5+Tip	507
SFL-S-1503XH	XH	457	3-pcs	120-250	N/A	660	6+Tip	560

DISTANCE SURF ARENA



DISTANCE SURF ARENA RODS

- Light weight and responsive HM carbon construction
- UFR: Ultimate Flex Reinforcement rod tip technology
- Visual Orange tip section
- Lowrider SIC guides
- Anti-slip grip for easy put in/take off
- Okuma graphite cushion reel seat
- ALPS rubber end cap for anti-slip
- Delivered in cloth bag



MODEL	PWR	LENGTH (CM)	SECTIONS	LURE WT.(G)	FOREGRIP LENGTH	REARGRIP LENGTH (MM)	NUMBER OF GUIDE	WEIGHT (G)
SLY TROLLING RODS								
DSA-S-1403H	H	427	3-pcs	100-200	N/A	660	5+Tip	461
DSA-S-1403XH	XH	427	3-pcs	120-250	N/A	660	6+Tip	478
DSA-S-1503H	H	457	3-pcs	100-200	N/A	660	5+Tip	481
DSA-S-1503XH	XH	457	3-pcs	120-250	N/A	660	6+Tip	538

NEMESIS SURF



NEMESIS SURF RODS

- Ultra-responsive 24-carbon blank construction
- Quality stainless steel frame guides with saltwater treatment
- Strong graphite reel seats
- Anti-slip grip for easy put in/take off
- Alu screw end cap with Rubber cushion for anti-slip

MODEL	PWR	LENGTH (CM)	SECTIONS	CASTING WT.(G)	FOREGRIP LENGTH	REARGRIP LENGTH (MM)	NUMBER OF GUIDE	WEIGHT (G)
SLY TROLLING RODS								
NE-S-1403MH	MH	427	3-pcs	150-300	N/A	670	5+Tip	528
NE-S-1503MH	MH	457	3-pcs	150-300	N/A	710	6+Tip	596
NE-S-1603MH	MH	488	3-pcs	150-300	N/A	710	6+Tip	683

Wave Power

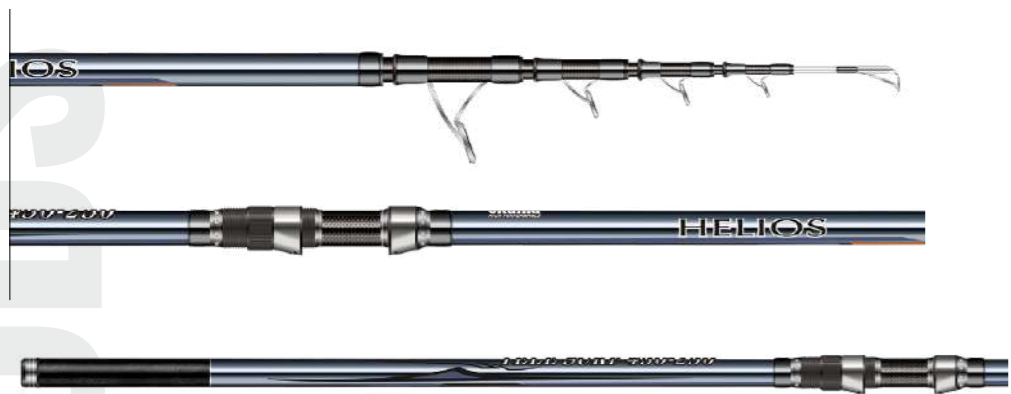


WAVE POWER RODS

- 24T GT blank construction
- Saltwater resistant deep press guides
- Okuma DPS plate reel seat
- Anti slip handle design

MODEL	PWR	LENGTH (CM)	SECTIONS	LURE WT.(G)	FOREGRIP LENGTH	REARGRIP LENGTH (MM)	NUMBER OF GUIDE	WEIGHT (G)
WAVE POWER RODS								
WP-S-1403H	H	427	3-pcs	100-200	N/A	670	5+Tip	528
WP-S-1403XH	XH	427	3-pcs	120-250	N/A	670	5+Tip	596
WP-S-1503H	H	457	3-pcs	100-200	N/A	670	5+Tip	683
WP-S-1503XH	XH	457	3-pcs	120-250	N/A	670	5+Tip	

HELIOS TELE SURF



HELIOS TELE SURF RODS

- Fuji K-concept and Titanium guide frames
- Fuji SIC insert for braided line
- Protected in a quality guide cover
- Fuji Split reel seat with 1K woven tube
- Anti split handle design
- Screw end cap
- High quality travel bag
- Build on Toray 46T carbon material, slim, light and ultra-sensitive blanks construction

MODEL	PWR	LENGTH (CM)	SECTIONS	LURE WT.(G)	FOREGRIP LENGTH	REARGRIP LENGTH (MM)	NUMBER OF GUIDE	WEIGHT (G)
HELIOS TELE SURF RODS								
HE-S-1486MH-T	MH	447	6-Tele	100-200	N/A	670	4+Tip	388

MAKAIRA TELE SURF



MAKAIRA TELE SURF RODS

- 46T Toray high modulus carbon material, slim, light and ultra-sensitive blanks construction
- Dual helix carbon tape wrap configuration improved strength and durability
- Fuji KW anti tangle guides improves casting distance
- Fuji Alconite guides inserts reduce friction
- Fuji dual reel seat with spiral carbon tube body
- Durable and comfortable special handle design
- Anti-slip grip for easy put in/take off
- High quality handbag package

MODEL	PWR	LENGTH (CM)	SECTIONS	LURE WT.(G)	REARGRIP LENGTH (CM)	NUMBER OF GUIDE	WEIGHT (G)
MAKAIRA TELE SURF RODS							
MK-S-1486H-T	H	447	6-Tele	100-200	670	4+TIP	498

AZORES TELE SURF



AZORES TELE SURF RODS

- 40T high modulus Toray carbon blank construction
- OC-9 carbon outer wrap and solid carbon tip on tele surf rod
- Fuji deep press resistant guide frames
- Fuji Alconite insert for braided line friction
- Fuji DPS pipe reel seat
- Anti slip handle design
- High quality travel bag package

MODEL	PWR	LENGTH (CM)	SECTIONS	LURE WT.(G)	REARGRIP LENGTH (CM)	NUMBER OF GUIDE	WEIGHT (G)
AZORES TELE SURF RODS							
AZ-S-1446H-T	H	437	6-Tele	100-250	670	4+Tip	473

TRIO- REX TELE SURF



TRIO-REX RODS

Powerful 30T carbon blank, Fuji MN frame with O-ring guide, Fuji DPS reel seat, durable and comfortable special handle design, high quality velvet cloth bag.

MODEL	PWR	LENGTH (CM)	SECTIONS	LURE WT.(G)	FOREGRIP LENGTH	REARGRIP LENGTH (MM)	NUMBER OF GUIDE	WEIGHT (G)
TRIO-REX TELE SURF RODS								
TRX-S-1426H-T	H	432	6-Tele	100-250	N/A	675	4-TIP	532

AVENGER TELE SURF



Powerful 24T carbon blank, Strong guide frame with super hard titanium oxide insert, FUJI reel seat, comfortable handle design, with high quality velvet cloth bag package

MODEL	PWR	LENGTH (CM)	SECTIONS	LURE WT.(G)	FOREGRIP LENGTH	REARGRIP LENGTH (MM)	NUMBER OF GUIDE	WEIGHT (G)
AVENGER TELE SURF RODS								
AV-S-1306H-T	H	396	6-Tele	100-200	N/A	680	4+Tip	424
AV-S-1406H-T	H	427	6-Tele	100-250	N/A	680	4+Tip	498

Ceymar TELE SURF



CEYMAR TELE SURF RODS

- Extremely light weight and responsive 30-ton carbon blanks
- Solid carbon tip for the tele rods
- Quality deep press stainless steel frame guides
- Fuji DPS reel seat
- Non-slip handle design
- Aluminum screw end cap
- High quality cloth bag package

MODEL	PWR	LENGTH (CM)	SECTIONS	LURE WT.(G)	FOREGRIP LENGTH	REARGRIP LENGTH (MM)	NUMBER OF GUIDE	WEIGHT (G)
CEYMAR TELE SURF RODS								
C-S-1446H-T	H	437	6-Tele	100-250	N/A	670	4-TIP	446

ELETTRA

Surf Performance



ELETTRA SURF RODS

- 24T and 30T carbon blank construction with solid carbon tip
- Fuji resistant guides
- Protected in a quality guide cover
- Fuji DPS pipe reel seat
- Durable shrink tube handle
- Screw end cap
- High quality travel bag

MODEL	PWR	LENGTH (CM)	SECTIONS	LURE WT.(G)	FOREGRIP LENGTH	REARGRIP LENGTH (MM)	NUMBER OF GUIDE	WEIGHT (G)
ELETTRA SURF RODS								
ELT-S-1446ML-T	ML	437	6-Tele	80	N/A	660	4-TIP	394
ELT-S-1446M-T	M	437	6-Tele	100	N/A	660	4-TIP	402
ELT-S-1446MH-T	MH	437	6-Tele	120	N/A	660	4-TIP	410
ELT-S-1446H-T	H	437	6-Tele	150	N/A	660	4-TIP	448
ELT-S-1446XH-T	XH	437	6-Tele	170	N/A	660	4-TIP	483
ELT-S-1446XXH-T	XXH	437	6-Tele	200	N/A	660	4-TIP	498

REVENGER TELE SURF



REVENGER TELE SURF RODS

- High modulus carbon blank construction
- Deep press guide frames with Titanium Oxide inserts
- Protected in a quality guide cover
- Okuma branded quality reel seat
- Aluminum Screw end cap
- Supplied in quality handbag package

MODEL	PWR	LENGTH (CM)	SECTIONS	LURE WT.(G)	FOREGRIP LENGTH	REARGRIP LENGTH (MM)	NUMBER OF GUIDE	WEIGHT (G)
REVENGER TELE SURF RODS								
RV-S-1304H-T	H	396	4-Tele	100-200	N/A	660	3+TIP	456
RV-S-1404XH-T	XH	427	4-Tele	150-250	N/A	660	3+TIP	471
RV-S-1505XH-T	XH	457	5-Tele	150-250	N/A	660	4+TIP	499

ALARIS TELE SURF



ALARIS TELE SURF RODS

- Carbon construction
- Telescopic 5 sections for fast action
- Visual white tip section
- Double legged SIC guides with rubber shock absorbers
- Okuma graphite and Alu reel seat with cushions
- Aluminum screw butt cap
- Delivered in cloth bag

MODEL	PWR	LENGTH (CM)	SECTIONS	LURE WT.(G)	REARGRIP LENGTH (MM)	NUMBER OF GUIDE	WEIGHT (G)
ALARIS TELE SURF RODS							
ALS-S-1305H-T	H	396	5-Tele	100-200	640	4+Tip	434
ALS-S-1405H-T	H	427	5-Tele	100-200	640	4+Tip	494

Wave Power TELE SURF



WAVE POWER TELE SURF RODS

- 24T GT blank construction
- Visual white tip section
- Saltwater resistant deep press guides
- Okuma DPS pipe reel seat.
- Anti slip handle design
- Alu screw butt cap

MODEL	PWR	LENGTH (CM)	SECTIONS	LURE WT.(G)	REARGRIP LENGTH (MM)	NUMBER OF GUIDE	WEIGHT (G)
WAVE POWER TELE SURF RODS							
WP-S-1305MH-T	MH	396	5-Tele	80-150	650	4+Tip	422
WP-S-1305H-T	H	396	5-Tele	100-200	650	4+Tip	447
WP-S-1405MH-T	MH	427	5-Tele	80-150	650	4+Tip	460
WP-S-1405H-T	H	427	5-Tele	100-200	650	4+Tip	491

FINA PRO TELE SURF



FINA PRO TELE SURF RODS

- 24T carbon ultra-responsive blank construction
- Stainless steel deep-drawn frame protect the inserts
- Polished Titanium Oxide insert for friction
- Okuma graphite reel seat
- Aluminum screw end cap with non-skid rubber
- Supplied in rod bag

MODEL	PWR	LENGTH (CM)	SECTIONS	LURE WT.(G)	FOREGRIP LENGTH	REARGRIP LENGTH (MM)	NUMBER OF GUIDE	WEIGHT (G)
FINA PRO TELE SURF RODS								
FP-S-1304H-T	H	396	4-Tele	100-200	N/A	660	3+TIP	434
FP-S-1404H-T	H	427	4-Tele	100-250	N/A	660	3+TIP	494



5



Nothing inspires the senses like getting out & traveling to a new destination & fishing new waters. The thrill of discovery fills us all. Whether you are hiking to a high mountain lake to chase beautiful golden trout, tying on a big swimbait to try to catch a giant striped bass, or dropping back a live sardine in hopes of breaking the triple digit mark on a yellowfin tuna, Okuma has your travel gear needs covered. Our travel gear is designed to not only help you get to your hidden destination, but to land that fish of a lifetime.



Fuel Spin

FUEL SPIN COMBOS RODS

- 24T GT blank construction
- Fast action
- 3 Split EVA handle to reduce the weight and good balance
- Stainless steel frame SIC guides
- Graphite cushions reel seat
- Multi-disc, Japanese oiled felt drag washers
- 1 ball bearing drive for smoothness and durability
- Precision machine cut brass pinion gear
- Corrosion resistant graphite body and rotor
- CFR: Cyclonic Flow Rotor technology
- Machined aluminum, anodized spool
- Corrosion-resistant stainless steel bail wire
- RESII: Computer balanced Rotor Equalizing System

MODEL	ROD PWR	LENGTH (CM)	SECTIONS	CASTING WT.(G)	REEL MODEL	BEARINGS	LINE CAPACITY (DIAMETER IN MM.)	NUMBER OF GUIDE
FUEL SPIN COMBOS								
FSP-702L-3000	L	213	2-pcs	5-20	FSP-3000	1BB	0.20/300, 0.25/200, 0.30/130	5+Tip
FSP-902L-C4000	L	274	2-pcs	7-30	FSP-C4000	1BB	0.20/300, 0.25/200, 0.30/130	7+Tip

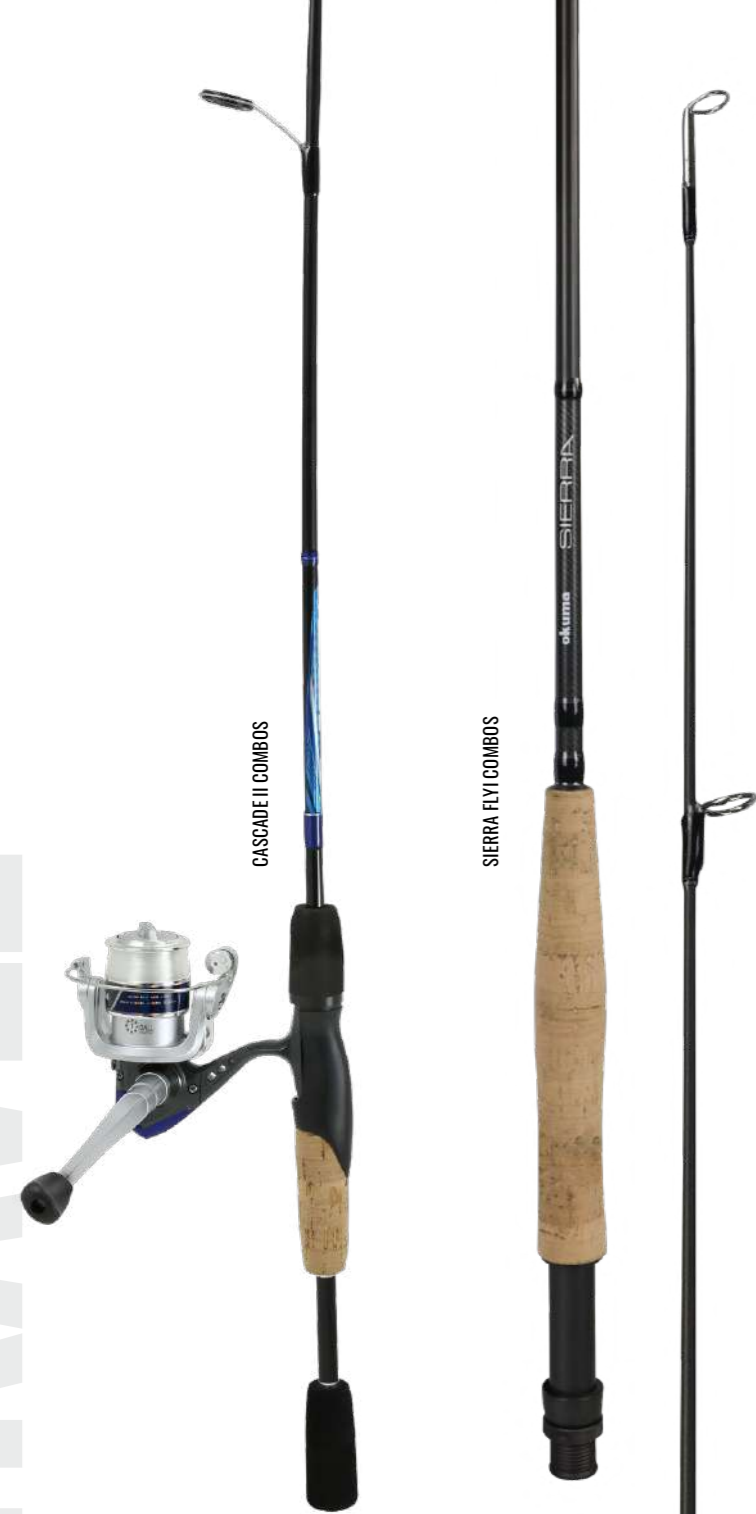


STEELEER *XP*

STEELEER XP COMBOS RODS

- Durable glass fiber rod blank construction
- Feature comfortable EVA fore and rear split grip
- Multi-disc front drag washer system
- All models feature a 1 ball bearing drive system
- Reels are pre-spooled with monofilament line
- All Steeler rods are 2-pcs for easy transportation

MODEL	ROD PWR	ROD LENGTH (CM)	LINE WEIGHT	LURE WEIGHT (OZ.)	SECTIONS	REEL MODEL	BEARINGS	REEL COLOR	WITH LINE	LINE CAPACITY
STEELEER XP COMBOS										
SLXP-562-20BO	M	168	N/A	1/8-3/8	2-pcs	SLXP-20	1BB	Orange	Yes	265/3, 220/4, 180/6
SLXP-562-20GR	M	168	N/A	1/8-3/8	2-pcs	SLXP-20	1BB	Green	Yes	265/3, 220/4, 180/6
SLXP-562-20PK	M	168	N/A	1/8-3/8	2-pcs	SLXP-20	1BB	Pink	Yes	265/3, 220/4, 180/6
SLXP-602-20BO	M	183	N/A	1/8-3/8	2-pcs	SLXP-20	1BB	Orange	Yes	265/3, 220/4, 180/6
SLXP-602-20GR	M	183	N/A	1/8-3/8	2-pcs	SLXP-20	1BB	Green	Yes	265/3, 220/4, 180/6
SLXP-602-20PK	M	183	N/A	1/8-3/8	2-pcs	SLXP-20	1BB	Pink	Yes	265/3, 220/4, 180/6
SLXP-662-20BO	M	198	N/A	1/8-1/2	2-pcs	SLXP-20	1BB	Orange	Yes	265/3, 220/4, 180/6
SLXP-662-20GR	M	198	N/A	1/8-1/2	2-pcs	SLXP-20	1BB	Green	Yes	265/3, 220/4, 180/6
SLXP-662-20PK	M	198	N/A	1/8-1/2	2-pcs	SLXP-20	1BB	Pink	Yes	265/3, 220/4, 180/6



CASCADE II

CASCADE II COMBOS RODS

- Durable glass fiber rod blank construction
- Features comfortable EVA fore grips
- Rear grip is split configuration EVA and cork
- Multi-disc front drag washer system
- All models feature a 1 ball bearing drive system
- Reels are pre-spooled with monofilament line
- All Cascade rods are 2-pcs for easy transportation

MODEL	ROD PWR	ROD LENGTH (CM)	SECTIONS	REEL MODEL	BEARINGS	REEL COLOR	WITH LINE	LINE CAPACITY (DIAMETER IN MM.)
CASCADE II COMBOS								
CSII-502L-20	L	152	2-pcs	CSII-20	1BB	N/A	Yes	265/3, 220/4, 180/6
CSII-562ML-20	ML	168	2-pcs	CSII-20	1BB	N/A	Yes	265/3, 220/4, 180/6
CSII-602ML-20	ML	183	2-pcs	CSII-20	1BB	N/A	Yes	265/3, 220/4, 180/6

SIERRA

SIERRA FLY COMBOS RODS

- Light weight graphite construction
- Medium fast action
- Custom made aluminum pipe reel seat
- High quality Portuguese cork handles
- Stainless steel snake guides
- Saltwater resistant stripping guides
- Luxury velvet rod bag with a PVC tube

MODEL	ROD LENGTH (CM)	LINE WEIGHT	SECTIONS	REEL SEAT DESCRIPTION	ROD BLANK	NUMBER OF GUIDES	WEIGHT (G)
SIERRA FLY COMBOS							
SRF-904-5	274	5 Wt.	4-pcs	Special Alu Fly reel seat	24T Carbon	8+Tip	116
SRF-904-6	274	6 Wt.	4-pcs	Special Alu Fly reel seat	24T Carbon	8+Tip	118



FIN-CHASER X

FIN CHASER "X" SERIES COMBOS RODS

- Durable glass fiber rod blank construction
- All models feature a comfortable EVA fore grip
- Rear grip on 6'-7' combos feature split cork
- Rear grips on 8' and larger combos is full EVA
- Multi-disc oil felt drag washers
- All models feature a 1 ball bearing drive system
- Machined aluminum, anodized spool
- Fin Chaser 8' and larger feature double foot guide construction
- All Fin Chaser rods feature 2-pcs blanks for transportation

MODEL	ROD PWR	ROD LENGTH(MM)	LURE WEIGHT(OZ)	SECTIONS	ROD MODEL	BEARINGS	REEL COLOR	WITH LINE	WEIGHT (G)
FIN-CHASER X COMBOS									
FNX-602-30PK	ML	183	1/8-3/8	2-pcs	FNX-30	1BB	Pink	Yes	310/3, 250/4, 165/6
FNX-662-30BL	M	198	1/8-1/2	2-pcs	FNX-30	1BB	Blue	Yes	310/3, 250/4, 165/6
FNX-662-30YL	M	198	1/8-1/2	2-pcs	FNX-30	1BB	Yellow	Yes	310/3, 250/4, 165/6
FNX-662-30PK	M	198	1/8-1/2	2-pcs	FNX-30	1BB	Pink	Yes	310/3, 250/4, 165/6
FNX-70-40BL	MH	213	1/4-3/4	2-pcs	FNX-40	1BB	Blue	Yes	190/10, 140/12, 110/15
FNX-70-40YL	MH	213	1/4-3/4	2-pcs	FNX-40	1BB	Yellow	Yes	190/10, 140/12, 110/15
FNX-80-40BL	MH	244	1/2-1 1/2	2-pcs	FNX-40	1BB	Blue	Yes	190/10, 140/12, 110/15
FNX-80-40YL	MH	244	1/2-1 1/2	2-pcs	FNX-40	1BB	Yellow	Yes	190/10, 140/12, 110/15
FNX-90-60BL	MH	274	3/4-2 1/2	2-pcs	FNX-60	1BB	Blue	Yes	155/18, 125/20, 90/30
FNX-90-60YL	MH	274	3/4-2 1/2	2-pcs	FNX-60	1BB	Yellow	Yes	155/18, 125/20, 90/30
FNX-100-65BL	MH	305	1-3	2-pcs	FNX-65	1BB	Blue	Yes	300/15, 190/20, 130/35
FNX-100-65YL	MH	305	1-3	2-pcs	FNX-65	1BB	Yellow	Yes	300/15, 190/20, 130/35



Reel included with Voyager Express Kit



NOMAD Xpress Fly

NOMAD XPRESS FLY COMBOS RODS

- 24/30-Ton carbon, ultra-sensitive and responsive blank construction
- 4-pcs rod blank construction for easy transportation
- Aluminum large arbor fly reel design allows for increased line pickup
- Fly reel is pre-spooled with fly line, backing and tippet
- Traditional contoured cork grips for durability and comfort
- Rugged and compact carry bag for hiking and storage

MODEL	TAPER	LENGTH (CM)	SECTIONS	LINE WT.	REEL SEAT DESCRIPTION	FOREGRIP LENGTH	REARGRIP LENGTH	NUMBER OF GUIDES	REEL
NOMAD XPRESS FLY RODS									
NTxf-904-5	MF	274	4-pcs	5 wt.	Machined aluminum	7-1/2"	N/A	9 + Tip	SX-5/6
NTxf-904-6	MF	274	4-pcs	6 wt.	Machined aluminum	7-1/2"	1-1/2"	9 + Tip	SX-5/6
NEW NTxf-904-7	MF	274	4-pcs	7 wt.	Machined aluminum	7-1/2"	1-1/2"	9 + Tip	SX-7/8
NTxf-904-8	MF	274	4-pcs	8 wt.	Machined aluminum	7-1/2"	1-1/2"	9 + Tip	SX-7/8



Airframe

AIRFRAME FLY COMBOS RODS

- Spooled with backing, fly line and tippet
- 3-piece, sensitive graphite rods
- Aluminum oxide stripper guides
- Stainless steel snake guide
- Fully adjustable disc drag system
- Roller bearing engages drag in one direction
- Lightweight graphite frame construction
- Graphite large arbor spool design
- Quick change left/right hand retrieve

MODEL	TAPER	LENGTH (CM)	SECTIONS	LINE WT.	REEL SEAT DESCRIPTION	FOREGRIP LENGTH	REARGRIP LENGTH	NUMBER OF GUIDES	REEL
AIRFRAME FLY RODS									
Afa-903-5	MF	274	3-pcs	5 wt.	Machined Aluminum	180mm	N/A	9+Tip	AF-4/6
Afa-903-6	MF	274	3-pcs	6 wt.	Machined Aluminum	180mm	N/A	9+Tip	AF-4/6
Afa-903-7	MF	274	3-pcs	7 wt.	Machined Aluminum	190mm	30mm	9+Tip	AF-4/6



FLY & FLOAT

United by single action, 1:1 retrieve ratios, Fly and Float products highlight two very distinct strengths of Okuma Fishing Tackle. The first is the ability of our advanced CNC machining facility in Taiwan. From the same precision factory that makes Makaira offshore reels, comes our machined fly and float reels. The second is our commitment to value in our die-cast aluminum product lines. The Sierra fly reel changed the industry that used words like "traditional" to sell consumers grossly overpriced reels. Sierra redefined value in the fly fishing market, and SLV "b" products build upon that foundation. In both areas of strength, you can find bigger names, but not better product.



RAWII-1002

RAW-II 1002

RAW-II CENTERPIN FLOAT REELS

- Precision 6061-T6 machined aluminum frame and spool
- Durable Type-II, two-tone anodized frame and spool
- 2 premium stainless steel Japanese ball bearings
- Machine cut stainless steel spool shaft
- 1-pcs Machined Rigid Frame construction
- On/Off click ratchet for added spool tension
- Ported spool with exposed rim for easy spool control
- Includes Okuma's protective neoprene reel shield

MODEL	BEARINGS	WEIGHT (G)	LINE RETRIEVE	LINE CAPACITY (YDS/LBS)	FRAME/SPOOL	SPOOL WIDTH	SPOOL DIAM.
RAW-II CENTERPIN FLOAT REELS							
RAW-1002	2 BB	233	13"	275 yds / 8 lbs	AL	18.5mm	114mm



VT-1002

AVENTA

AVENTA FLOAT REELS

- Precision machined stainless steel spool shafts
- 1-piece Machined Rigid Frame construction
- Machined aluminum anodized spools
- On/Off click ratchet for added spool tension
- Ported spool with exposed rim for easy control
- 2 stainless steel Japanese ball bearings

MODEL	BEARINGS	WEIGHT (G)	LINE RETRIEVE	LINE CAPACITY (YDS/LBS)	FRAME/SPOOL	SPOOL WIDTH	SPOOL DIAM.
AVENTA FLOAT REELS							
VT-1002	2 BB	233	13"	275 yds / 8 lbs	AL	18.5mm	114mm

Float fishing is a unique and specific technique. The center-pin crowd is dedicated, knowledgeable and passionate about their sport. They are also extremely discerning about their tackle. The introduction of the Aventa center-pin sets a new standard for what can be expected in a fully-machined float reel.

The Aventa series is made from solid aluminum bar stock, for precision spool alignment and maximum freespool. The VT-1002, with two stainless steel ball bearings, is excellent for casting directly from the reel or for drag-free drifts.



SLV 5/6 b



SLV "b" FLY REELS

- Multi-disc cork and stainless steel drag washers
- Roller bearing engages drag system in one direction
- Precision machined stainless steel spool shaft
- ALC: Alumilite diecast aluminum frame design
- Rigid Diecast aluminum, super large arbor spool design
- Precision machine, brass bushing drive
- Easy-to-change left to right hand retrieval conversion

MODEL	DRAG WASHER	BEARINGS	WEIGHT (G)	LINE RETRIEVE	FLY LINE CAPACITY	FRAME/SPOOL	SPOOL WIDTH	SPOOL DIAM.
SLV "b" REELS								
SLV 23b	2.3 wt.	1RB	128	8"	WF-2, 50yds/12lbs	AL	22mm	66mm
SLV 45b	4.5 wt.	1RB	136	9"	WF-4, 95yds/12lbs	AL	24mm	75mm
SLV 56b	5.6 wt.	1RB	150	10"	WF-5, 140yds/20lbs	AL	28mm	82mm
SLV 78b	7.8 wt.	1RB	156	11"	WF-7, 145yds/20lbs	AL	31mm	88mm
SLV 89b	8.9 wt.	1RB	173	12"	WF-8, 150yds/30lbs	AL	34mm	95mm
SLV-1011b	10,11 wt.	1RB	275	13"	WF-10, 520yds/30lbs	AL	40mm	114mm
SLV "b" SPOOLS								
SLV 23b Spool	2.3 wt.	1RB	57	8"	WF-2, 50yds/12lbs	AL	22mm	66mm
SLV 45b Spool	4.5 wt.	1RB	60	9"	WF-4, 95yds/12lbs	AL	24mm	75mm
SLV 56b Spool	5.6 wt.	1RB	65	10"	WF-5, 140yds/20lbs	AL	28mm	82mm
SLV 78b Spool	7.8 wt.	1RB	71	11"	WF-7, 145yds/20lbs	AL	31mm	88mm
SLV 89b Spool	8.9 wt.	1RB	82	12"	WF-8, 150yds/30lbs	AL	34mm	95mm
SLV-1011b Spool	10,11 wt.	1RB	139	13"	WF-10, 520yds/30lbs	AL	40mm	114mm



The ultimate companion pieces to Okuma fishing rods and reels, and Okuma accessories add quality to the details of the experience. Universally, our fabrics and construction elements are top-of-the-line. The specific features are the culmination of experience and the understanding that you cannot catch fish if your gear is not in the water. Organization and accessibility are paramount. All of our accessories are built to fish hard, offering the most hard-core enthusiast a product which delivers extensive pride of ownership and long-lasting durability.

BRAIDED LINE



BRAIDED LINE

JAPAN SIZE	DIA/MM	LB	TEST TENSILE (LB)	TEST STRENGTH (KG)
0.8	0.15	9	6	4.9
1.0	0.17	12	8	6.5
1.5	0.21	15	8	8.0
2.0	0.24	20	8	10
2.5	0.26	25	8	12.5
3.0	0.29	30	8	15.0

■ 3 Color: 20CM Blue+20CM Orange +60CM Green



FT-BRAID-X4- BRAIDED LINE

JAPAN SIZE	DIA/MM	FILAMENTS	TEST TENSILE (LB)	TEST STRENGTH (KG)
0.5	0.115	4	9	4.0
0.6	0.13	4	10	4.5
0.8	0.15	4	12	5.1
1	0.165	4	13	5.9
1.5	0.205	4	18	8.2
2	0.235	4	20	9.1
2.5	0.26	4	25	11.4
3	0.285	4	27	12.3
4	0.33	4	30	13.6
5	0.37	4	40	17.5
6	0.41	4	50	23.4
7	0.44	4	55	25.8
8	0.47	4	65	31.2
10	0.52	4	75	35.6
12	0.57	4	85	40.2

■ Gray Color , Yellow Color, Green Color, Multi Color
 ■ Meters that can be produced:
 100M & 100M*10PCS & 150M&300M&500M&600M&1000M



FT-BRAID-X8- BRAIDED LINE

JAPAN SIZE	DIA/MM	FILAMENTS	TEST TENSILE (LB)	TEST STRENGTH (KG)
0.5	0.115	8	10	4.8
0.6	0.13	8	12	5.3
0.8	0.15	8	14	6.9
1	0.165	8	16	8.1
1.5	0.205	8	20	9.1
2	0.235	8	25	11.4
2.5	0.26	8	30	13.6
3	0.285	8	35	15.9
4	0.33	8	45	20.5
5	0.37	8	55	24.5
6	0.41	8	70	29.8
7	0.44	8	80	34.3
8	0.47	8	90	39.9
10	0.52	8	100	48.7
12	0.57	8	110	53.8

■ Gray Color , Yellow Color, Green Color, Multi Color
 ■ Meters that can be produced:
 100M & 100M*10PCS & 150M&300M&500M&600M&1000M



LEADCORE BRAIDED LINE

METER	TEST TENSILE (LB)	TEST TENSILE (KG)
10M	55	25
10M	77	35
10M	99	45



SAFINA BRAIDED LINE

JAPAN SIZE	DIAMETER	TEST TENSILE (LB)	TEST TENSILE (KG)
1	0.17	18	8.2
1.2	0.19	20	9.0
1.5	0.21	22	10.0
2	0.24	26	11.8
2.5	0.27	31	14.0
3.0	0.29	35	15.9
4.0	0.34	44	20.0
5.0	0.37	43	19.5
6.0	0.41	62	28.1



MAKAIRA

NO.	DIA/MM	TEST TENSILE (KG)	METER
4	0.34	7.1	1000M
5	0.37	8.9	1000M
7	0.44	12.5	1000M
12	0.57	20.5	1000M
15	0.64	24.6	1000M
18	0.70	27.2	1000M
20	0.74	29.8	1000M
30	0.91	41.2	1000M
40	1.05	52.4	1000M
50	1.17	64.2	1000M

■ Yellow Color, Clear color



X-PE BRAIDED LINE

JAPAN SIZE	DIAMETER	TEST TENSILE (LB)	TEST TENSILE (KG)
0.4	0.1	17.31	7.87
0.5	0.12	24.71	11.23
0.8	0.15	34.54	15.7
1.2	0.18	38.94	17.7
1.5	0.20	44.57	20.26
2.5	0.25	58.54	26.61
3.5	0.30	62.90	28.59
4	0.33	80.43	36.56
5	0.38	89.04	45.02
7	0.43	122.91	55.87
8	0.47	135.94	61.79
10	0.50	148.35	67.43



MAGIST SHRIMP (FIRE LINE)

JAPAN SIZE	DIA/MM	LB	TEST TENSILE (LB)	TEST STRENGTH (KG)
0.2	0.074	5	5.1	2.3
0.3	0.091	7	6.8	3.1
0.4	0.105	8	7.7	3.5
0.5	0.116	8	8.4	3.8
0.6	0.128	9	9.0	4.1
0.8	0.148	10	10.1	4.6
1	0.165	13	12.8	5.8
1.2	0.185	15	15.2	6.9
1.5	0.205	18	17.8	8.1
2	0.235	20	20.2	9.2
2.5	0.26	23	22.9	10.4



CEYMAR X4 BRAIDED LINE

JAPAN SIZE	DIA/MM	FILAMENTS	LB	TEST TENSILE (LB)	TEST STRENGTH (KG)
1	0.165	4	13	13	5.9
1.5	0.205	4	18	18	8.2
2	0.235	4	20	20	9.1
2.5	0.26	4	25	25	11.4
3	0.285	4	27	27	12.3
4	0.33	4	30	30	13.6
5	0.37	4	40	40	18.2
6	0.41	4	55	55	25.0
7	0.44	4	65	65	29.5
8	0.47	4	80	80	36.4
10	0.52	4	85	85	39.6
12	0.57	4	100	100	45.5

■ Multi Color/Gray Color/Yellow Color/Light Green Color/Black Color



CEYMAR X8 BRAIDED LINE

JAPAN SIZE	DIA/MM	FILAMENTS	TEST TENSILE (LB)	TEST STRENGTH (KG)
1	0.165	8	18	8.2
1.5	0.205	8	20	9.1
2	0.235	8	25	11.4
2.5	0.26	8	30	13.6
3	0.285	8	35	15.9
4	0.33	8	45	20.5
5	0.37	8	60	27.3
6	0.41	8	70	31.8
7	0.44	8	80	36.4
8	0.47	8	90	40.9
10	0.52	8	110	50.0
12	0.57	8	130	59.1



CARP : BROWN+ GREEN

NO.	DIA/MM	TEST TENSILE (KG)	METER
2.5	0.26	5.3	1000M
3	0.285	6.5	1000M
3.5	0.31	7.4	1000M
4	0.34	8.1	1000M
5	0.37	10.8	1000M
6	0.405	11.9	1000M
7	0.43	13.8	1000M
8	0.47	15.7	1000M
10	0.52	18.4	1000M
12	0.55	21.1	1000M



AK- CARP

NO.	DIA/MM	TEST TENSILE (KG)	METER
1.7	0.22	4.1	500M
2	0.235	4.6	500M
2.5	0.26	5.9	500M
3	0.285	6.8	500M
3.5	0.31	7.7	500M
4	0.34	8.9	500M
5	0.37	10.3	500M

■ Pink purple + pink blue + Clear + black



NYLON LINE

JAPAN SIZE	DIA/MM	LENGTH	LB	TEST TENSILE (LB)	TEST STRENGTH (KG)
1.7	0.22		8	8.1	3.7
2.0	0.235		9	9.0	4.1
2.5	0.26		11	11.4	5.2
3.0	0.285		13	13.4	6.1
3.5	0.31	150M	16	15.6	7.1
4.0	0.34		17	17.4	7.9
5.0	0.37		21	21.3	9.7
6.0	0.41		25	25.3	11.5
7.0	0.44		29	29.3	13.3
8.0	0.47		33	32.8	14.9

■ 4 Color: 30CM Purple+30CM Blue +30CM Transparent +30CM Black



NYLON LINE

JAPAN SIZE	DIA./MM	LB	TEST TENSILE (LB)	TEST STRENGTH (KG)
1.5	0.2	7	6.8	3.1
1.7	0.21	8	7.7	3.5
2.0	0.235	9	8.8	4.0
2.5	0.26	11	10.8	4.9
3.0	0.285	13	12.5	5.7
3.5	0.31	15	14.5	6.6
4.0	0.34	17	16.5	7.5
5.0	0.37	20	20.0	9.1
6.0	0.41	24	23.8	10.8
8.0	0.47	31	31.0	14.1

■ 2 Color: 30cm Black + 150cm Orange
 ■ 2 Color: 30cm Black + 150cm White
 ■ 2 Color: 30cmM Black + 150cm Pink



CARP NYLON LINE

JAPAN SIZE	DIA./MM	TEST TENSILE (LB)	TEST STRENGTH (KG)	LENGTH
3	0.285	5.5	12	
3.5	0.31	6.4	14	
4	0.34	7.7	17	
5.0	0.37	10.0	22	300M
6.0	0.405	11.4	25	
7.0	0.43	12.7	28	
8	0.47	13.6	30	

■ 2color: Green+Black



SEA BASS NYLON LINE

JAPAN SIZE	DIA./MM	TEST TENSILE (LB)	TEST STRENGTH (KG)	LENGTH
2	0.24	9.97	4.53	
2.5	0.26	12.52	5.69	
3	0.29	14.37	6.53	
3.5	0.31	16.98	7.72	300M
4	0.34	19.12	8.69	
5	0.37	21.76	9.89	
6	0.41	24.11	10.96	

■ Color: Moss green



AZUL NYLON LINE

NO	DIA./MM	TEST TENSILE (LB)	TEST TENSILE (KG)
2	0.235	7.0	3.2
2.5	0.26	9.5	4.3
3	0.285	11.2	5.1
3.5	0.31	12.5	5.7
4	0.34	14.3	6.5
5	0.37	17.8	8.1
6	0.405	20.7	9.4
7	0.44	24.2	11
8	0.47	27.1	12.3
10	0.52	33.2	15.1



■ Color: Clear Green+Black / Golden

GRAND GEAR NYLON LINE

JAPAN SIZE	DIAMETER	TEST TENSILE (LB)	TEST TENSILE (KG)
0.6	0.13	1.58	2.27
0.8	0.15	2.29	3.28
1.0	0.17	2.99	4.29
1.2	0.19	3.81	5.43
1.5	0.21	4.47	6.38
2.0	0.24	6.97	9.97
2.5	0.26	8.76	12.52
3.0	0.29	10.05	14.15
3.5	0.31	11.04	16.98
4.0	0.34	12.43	19.12
5.0	0.37	14.15	21.96
6.0	0.41	15.66	24.11
7.0	0.44	18.11	27.85
8.0	0.47	21.23	21.67
10	0.52	27.90	42.90

SPINNING NYLON LINE

JAPAN SIZE	DIA./MM	TEST TENSILE (LB)	TEST STRENGTH (KG)	LENGTH
2	0.24	9.97	4.53	
2.5	0.26	12.52	5.69	
3	0.29	14.37	6.53	
3.5	0.31	16.98	7.72	300M
4	0.34	19.12	8.69	
5	0.37	21.76	9.89	
6	0.41	24.11	10.96	

■ Color: Clear



FEEDER NYLON LINE

JAPAN SIZE	DIAMETER	TEST TENSILE (LB)	TEST TENSILE (KG)
1.0	0.17	4.8	2.16
1.2	0.19	5.7	2.59
1.5	0.21	7.0	3.20
2.0	0.24	9.0	4.09
2.5	0.26	11.2	5.12
3.0	0.29	13.2	6.01
3.5	0.31	15.4	7.01
4.0	0.34	17.2	7.83
5.0	0.37	21.3	9.68
6.0	0.41	25.3	11.48
7.0	0.44	29.2	13.29
8.0	0.47	33.0	14.99
10	0.52	40.7	18.47



MAX POWER NYLON LINE

JAPAN SIZE	DIAMETER	TEST TENSILE (LB)	TEST TENSILE (KG)
0.8	0.15	3.96	2.40
1.0	0.18	5.12	3.10
1.5	0.21	6.11	3.70
2.0	0.24	7.43	4.50
2.5	0.26	9.24	5.60
3.0	0.28	11.55	7.00
3.5	0.31	16.01	9.70
4.0	0.34	17.82	10.80
5.0	0.37	21.45	13.00
6.0	0.40	25.58	15.50
7.0	0.44	30.03	18.20
8.0	0.46	33.00	20.00
10	0.50	37.65	23.00

FLUOROCARBON LINE

NEW



LEADER FLUOROCARBON LINE

JAPAN SIZE	DIAMETER	TEST TENSILE (LB)	TEST TENSILE (KG)
0.6	0.135	2.82	1.28
0.8	0.156	3.96	1.80
1.0	0.174	4.88	2.22
1.2	0.193	6.05	2.75
1.5	0.217	7.22	3.28
1.7	0.231	7.92	3.60
2.0	0.260	10.14	4.61
2.5	0.278	10.96	4.98
3.0	0.302	13.49	6.13
3.5	0.325	14.19	6.45
4.0	0.348	16.81	7.64
5.0	0.389	21.01	9.55
6.0	0.420	24.71	11.23
7.0	0.460	26.62	12.10
8.0	0.492	29.48	13.40
10	0.550	35.20	16.00
12	0.602	42.24	19.20
14	0.651	49.50	22.00
16	0.696	55.00	25.00
18	0.732	61.60	28.00
20	0.777	70.40	32.00

NEW



LEADER FLUOROCARBON LINE

JAPAN SIZE	DIAMETER	TEST TENSILE (LB)	TEST TENSILE (KG)
1	0.165	4.6	2.1
1.2	0.185	5.5	2.5
1.5	0.205	6.6	3
1.7	0.22	7.7	3.5
2	0.235	8.6	3.9
2.5	0.26	9.9	4.5
3	0.285	11.2	5.1
4	0.34	13.9	6.3
5	0.37	17.2	7.8
6	0.41	20.9	9.5
7	0.44	24	10.9
8	0.47	28.6	13



SHOTAI FLUOROCARBON LINE

JAPAN SIZE	DIAMETER	TEST TENSILE (LB)	TEST TENSILE (KG)
0.6	0.128	3.30	1.50
0.8	0.148	4.42	2.01
1.0	0.165	5.24	2.38
1.2	0.185	5.72	2.60
1.5	0.21	7.74	3.52
1.8	0.218	9.68	4.40
2.0	0.24	10.38	4.72
2.5	0.26	12.30	5.59
3.0	0.29	14.12	6.42
4.0	0.33	16.50	7.50
5.0	0.37	20.68	9.40

CHALLENGER NYLON LINE

JAPAN SIZE	DIAMETER	TEST TENSILE (LB)	TEST TENSILE (KG)
1.2	0.185	3.30	4.40
1.5	0.205	4.09	5.46
2.0	0.235	6.38	8.51
2.5	0.260	7.48	10.67
3.0	0.285	8.58	12.25
3.5	0.31	10.38	14.83
4.0	0.34	11.68	16.68
5.0	0.37	13.77	19.67
6.0	0.405	16.94	24.20
7.0	0.43	18.55	26.49
8.0	0.47	21.10	30.14

■ Color: White / Neon Yellow / Neon Yellow+Orange



ULTRA CARP NYLON LINE

JAPAN SIZE	DIAMETER	TEST TENSILE (LB)	TEST TENSILE (KG)
3.0	0.28	13.31	6.05
3.5	0.3	15.71	7.14
4.0	0.34	17.71	8.05
5.0	0.37	20.09	9.13
6.0	0.41	23.98	10.9
7.0	0.44	28.16	12.8
8.0	0.47	33.22	15.1
10	0.52	38.50	17.5
12	0.57	47.30	21.5



PLATINUM NYLON LINE

DIAMETER	TEST TENSILE (LB)	TEST STRENGTH (KG)
0.2	9	4
0.25	11	5.6
0.3	15	7.6
0.35	20	9.8
0.4	26.5	12.5
0.45	35	16.2
0.5	41.8	19.6
0.6	46	21
0.7	57	26.5
0.8	68	31.4
1	99	45



OKUMA BACKPACK (INCLUDING 4 TACKLE BOXES)
Model: PA247A



NEW
OKUMA MOTIF BLACK BEANIE
Model: PA01C024B



NEW
OKUMA MOTIF GRAY BEANIE
Model: PA01C025G

OKUMA MOTIF LONG SLEEVE SHIRT

Size	S	M	L
Model	PA01T031BS	PA01T031BM	PA01T031BL

Size	XL	2L	3L
Model	PA01T031BXL	PA01T031B2L	PA01T031B3L



UPF 50+

OKUMA MOTIF SHORT SLEEVE SHIRT

Size	S	M	L
Model	PA01T032BS	PA01T032BM	PA01T032BL

Size	XL	2L	3L
Model	PA01T032BXL	PA01T032B2L	PA01T032B3L



UPF 50+

OKUMA MOTIF TOURNAMENT JERSEY

Size	S	M	L
Model	PA01T030BS	PA01T030BM	PA01T030BL

Size	XL	2L	3L
Model	PA01T030BXL	PA01T030B2L	PA01T030B3L



UPF 50+



NEW
OKUMA MOTIF WHITE WATER RESISTANT CAP
Model: PA01C023W



OKUMA MOTIF COTTON CAP
Model: PA01C017B



OKUMA MOTIF MESH CAP
Model: PA01C018B



OKUMA MOTIF FLAT PEAK CAP
Model: PA01C022K



OKUMA PINK COTTON CAP
Model: PA01C011P



OKUMA FULL BACK CAMOUFLAGE CAP
Model: PA01C006G



OKUMA FULL BACK TWO TONE BLUE PATCH CAP
Model: PA01C007B



OKUMA WHITE COTTON CAP
Model: PA01C003W



FULL BRIM HAT
Model: PA01C014B

OKUMA GT FISHING JERSEY

Size	S	M	L
Model	PA01T048BS	PA01T048BM	PA01T048BL

Size	XL	2L	3L
Model	PA01T048BXL	PA01T048B2L	PA01T048B3L



UPF 50+

OKUMA GT FISHING JERSEY

Size	S	M	L
Model	PA01T049BS	PA01T049BM	PA01T049BL

Size	XL	2L	3L
Model	PA01T049BXL	PA01T049B2L	PA01T049B3L



UPF 50+

OKUMA TUNA FISHING JERSEY

Size	S	M	L
Model	PA01T050BS	PA01T050BM	PA01T050BL

Size	XL	2L	3L
Model	PA01T050BXL	PA01T050B2L	PA01T050B3L



UPF 50+

OKUMA TUNA FISHING JERSEY

Size	S	M	L
Model	PA01T051BS	PA01T051BM	PA01T051BL

Size	XL	2L	3L
Model	PA01T051BXL	PA01T051B2L	PA01T051B3L



OKUMA SAILFISH JERSEY

Size	S	M	L
Model	PA01T052BS	PA01T052BM	PA01T052BL

Size	XL	2L	3L
Model	PA01T052BXL	PA01T052B2L	PA01T052B3L



OKUMA SAILFISH JERSEY

Size	S	M	L
Model	PA01T053BS	PA01T053BM	PA01T053BL

Size	XL	2L	3L
Model	PA01T053BXL	PA01T053B2L	PA01T053B3L



OKUMA DORADO LONG SLEEVE SHIRT

Size	M	L	XL
Model	PA01T036WM	PA01T036WL	PA01T036WXL

Size	2L	3L
Model	PA01T036W2L	PA01T036W3L



OKUMA DORADO LONG SLEEVE SHIRT

Size	M	L	XL
Model	PA01T037WM	PA01T037WL	PA01T037WXL

Size	2L	3L
Model	PA01T037W2L	PA01T037W3L



OKUMA MOTIF COTTON SHORT SLEEVE SHIRT

Size	S	M	L
Model	PA01T033BS	PA01T033BM	PA01T033BL

Size	XL	2L	3L
Model	PA01T033BXL	PA01T033B2L	PA01T033B3L



OKUMA BASS JERSEY

Size	S	M	L
Model	PA01T054GS	PA01T054GM	PA01T054GL

Size	XL	2L	3L
Model	PA01T054GXL	PA01T054G2L	PA01T054G3L



OKUMA CARP JERSEY

Size	S	M	L
Model	PA01T055GS	PA01T055GM	PA01T055GL

Size	XL	2L	3L
Model	PA01T055GXL	PA01T055G2L	PA01T055G3L



OKUMA DORADO JERSEY

Size	S	M	L
Model	PA01T056YS	PA01T056YM	PA01T056YL

Size	XL	2L	3L
Model	PA01T056YXL	PA01T056Y2L	PA01T056Y3L



OKUMA WITHE MOTIF COTTON SHORT SLEEVE SHIRT

Size	S	M	L
Model	PA01T038WS	PA01T038WM	PA01T038WL

Size	XL	2L	3L
Model	PA01T038WXL	PA01T038W2L	PA01T038W3L



OKUMA BASS BLACK COTTON SHIRT

Size	S	M	L
Model	PA01T040BS	PA01T040BM	PA01T040BL

Size	XL	2L	3L
Model	PA01T040BXL	PA01T040B2L	PA01T040B3L



OKUMA BASS WHITE COTTON SHIRT

Size	S	M	L
Model	PA01T040WS	PA01T040WM	PA01T040WL

Size	XL	2L	3L
Model	PA01T040WXL	PA01T040W2L	PA01T040W3L



OKUMA TUNA BLACK COTTON SHIRT

Size	S	M	L
Model	PA01T041BS	PA01T041BM	PA01T041BL
Size	XL	2L	3L
Model	PA01T041BXL	PA01T041B2L	PA01T041B3L



OKUMA TUNA WHITE COTTON SHIRT

Size	S	M	L
Model	PA01T041WS	PA01T041WM	PA01T041WL
Size	XL	2L	3L
Model	PA01T041WXL	PA01T041W2L	PA01T041W3L



OKUMA PIKE BLACK COTTON SHIRT

Size	S	M	L
Model	PA01T042BS	PA01T042BM	PA01T042BL
Size	XL	2L	3L
Model	PA01T042BXL	PA01T042B2L	PA01T042B3L



OKUMA PIKE WHITE COTTON SHIRT

Size	S	M	L
Model	PA01T042WS	PA01T042WM	PA01T042WL
Size	XL	2L	3L
Model	PA01T042WXL	PA01T042W2L	PA01T042W3L



OKUMA DORADO BLACK COTTON SHIRT

Size	S	M	L
Model	PA01T045BS	PA01T045BM	PA01T045BL
Size	XL	2L	3L
Model	PA01T045BXL	PA01T045B2L	PA01T045B3L



OKUMA DORADO WHITE COTTON SHIRT

Size	S	M	L
Model	PA01T045WS	PA01T045WM	PA01T045WL
Size	XL	2L	3L
Model	PA01T045WXL	PA01T045W2L	PA01T045W3L



OKUMA SAILFISH BLACK COTTON SHIRT

Size	S	M	L
Model	PA01T046BS	PA01T046BM	PA01T046BL
Size	XL	2L	3L
Model	PA01T046BXL	PA01T046B2L	PA01T046B3L



OKUMA SAILFISH WHITE COTTON SHIRT

Size	S	M	L
Model	PA01T046WS	PA01T046WM	PA01T046WL
Size	XL	2L	3L
Model	PA01T046WXL	PA01T046W2L	PA01T046W3L



OKUMA GT BLACK COTTON SHIRT

Size	S	M	L
Model	PA01T044BS	PA01T044BM	PA01T044BL
Size	XL	2L	3L
Model	PA01T044BXL	PA01T044B2L	PA01T044B3L



OKUMA GT WHITE COTTON SHIRT

Size	S	M	L
Model	PA01T044WS	PA01T044WM	PA01T044WL
Size	XL	2L	3L
Model	PA01T044WXL	PA01T044W2L	PA01T044W3L



OKUMA CARP BLACK COTTON SHIRT

Size	S	M	L
Model	PA01T043BS	PA01T043BM	PA01T043BL
Size	XL	2L	3L
Model	PA01T043BXL	PA01T043B2L	PA01T043B3L



OKUMA GT WHITE COTTON SHIRT

Size	S	M	L
Model	PA01T043WS	PA01T043WM	PA01T043WL
Size	XL	2L	3L
Model	PA01T043WXL	PA01T043W2L	PA01T043W3L



OKUMA MOTIF POLO SHIRT

Size	S	M	L
Model	PA01T039BS	PA01T039BM	PA01T039BL
Size	XL	2L	3L
Model	PA01T039BXL	PA01T039B2L	PA01T039B3L



OKUMA MOTIF BLACK HOODIE

Size	S	M	L
Model	PA01T034BS	PA01T034BM	PA01T034BL
Size	XL	2L	3L
Model	PA01T034BXL	PA01T034B2L	PA01T034B3L



OKUMA MOTIF GARY HOODIE

Size	2S	XS	S	M
Model	PA01T047G2S	PA01T047GXS	PA01T047GS	PA01T047GM
Size	L	XL	2L	3L
Model	PA01T047GL	PA01T047GXL	PA01T047G2L	PA01T047G3L



OKUMA MOTIF FULL-ZIP HOODIE

Size	S	M	L
Model	PA01J005KS	PA01J005KM	PA01J005KL
Size	XL	2L	3L
Model	PA01J005KXL	PA01J005K2L	PA01J005K3L



OKUMA WATER RESISTANT JACKET

Size	S	M	L
Model	PA01J004BS	PA01J004BM	PA01J004BL
Size	XL	2L	3L
Model	PA01J004BXL	PA01J004B2L	PA01J004B3L



- Water-resistant, breathable, seam-sealed, 2-layer stretch shell
- 100% windproof fabric
- Attached, fully adjustable hood
- Water-resistant zip
- Adjustable cuff tabs
- Hem cinch-cord
- Reflection printing

OKUMA OCEAN WAVES FISHING SHORT

Size	28	30	32	34
Model	PA01B003B28	PA01B003B30	PA01B003B32	PA01B003B34
Size	36	38	40	42
Model	PA01B003B36	PA01B003B38	PA01B003B40	PA01B003B42



OKUMA GRAY FISHING SHORT

Size	28	30	32	34
Model	PA01B002G28	PA01B003B30	PA01B003B32	PA01B003B34
Size	36	38	40	42
Model	PA01B003B36	PA01B003B38	PA01B003B40	PA01B003B42



OKUMA MOTIF BLACK SUN SHIELD

Model: PA01C019K



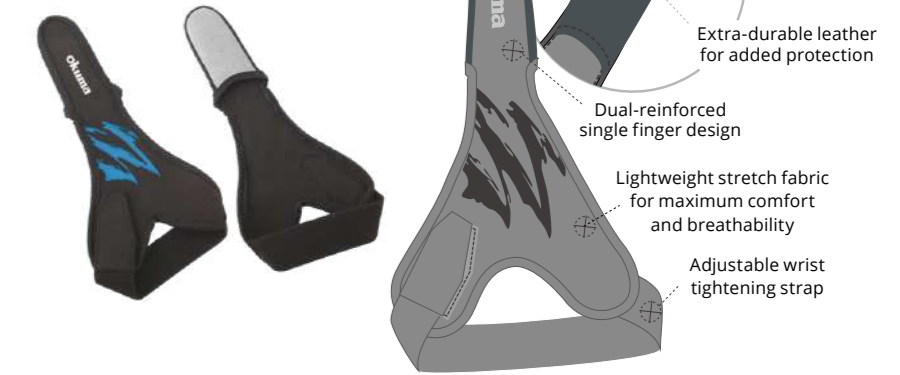
OKUMA MOTIF BLUE SUN SHIELD

Model: PA01C020B



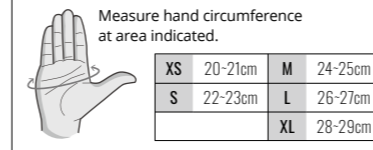
OKUMA MOTIF SINGLE FINGER CASTING GLOVE

Model: PA01F002B



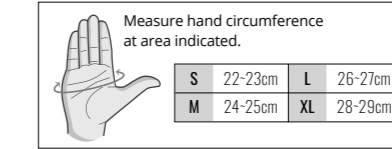
OKUMA MOTIF JIGGING GLOVES

Size	XS	S	M	L	XL
Model	PA01F001WXS	PA01F001WS	PA01F001WM	PA01F001WL	PA01F001WXL



OKUMA SUN PROTECTION FISHING GLOVE

Size	S/M	L/XL
Model	PA01F003WM	PA01F003WXL



OKUMA BLACK MOTIF SLEEVES

Size	S	M	L
Model	PA01T057KS	PA01T057KM	PA01T057KL



OKUMA BLUE MOTIF SLEEVES

Size	S	M	L
Model	PA01T059KS	PA01T059KM	PA01T059KL



OKUMA WHITE MOTIF SLEEVES

Size	S	M	L
Model	PA01T058WS	PA01T058WM	PA01T058WL



OKUMA URBAN SHOES

Size UA	6	7	8	9	10	11	12
Size CM	24	25	26	27	28	29	30
Model	PA01H001K06	PA01H001K07	PA01H001K08	PA01H001K09	PA01H001K10	PA01H001K11	PA01H001K12



Okuma motif design
Lightweight and breathable woven material
Anti-vibration EVA outsole

OKUMA MOTIF SLIPPER

Size UA	8	9	10	11	12
Size CM	26	27	28	29	30
Model	PA01H002K08	PA01H002K09	PA01H002K10	PA01H002K11	PA01H002K12



NEW

CARBON HANDLE ARM WITH EVA KNOB

- Material: carbon arm + EVA knob
- EVA knob for comfortable grip
- Ultralight carbon arm for minimal weight and ultimate durability
- Main shaft hole size: Height: 0.31" / 8mm x Width: 0.19" / 5mm
- For Okuma lowprofile reels and Tesoro star drag reels
- Handle length: 90mm
- Bearing: 2HPB

- Package included:
- 1 x carbon handle
 - 2 x nut(1 for right, 1 for left)
 - 1 x screw
 - 1 x lock plate



NEW

CARBON HANDLE ARM WITH ALUMINUM KNOB

- Material: carbon arm + aluminum knob
- Aluminum knob for unmatched strength
- Ultralight carbon arm for minimal weight and ultimate durability
- Main shaft hole size: Height: 0.31" / 8mm x Width: 0.19" / 5mm
- For Okuma lowprofile reels and Tesoro star drag reels
- Handle length: 90mm
- Bearing: 2HPB

- Package included:
- 1 x carbon handle
 - 2 x nut(1 for right, 1 for left)
 - 1 x screw
 - 1 x lock plate



NEW

DOUBLE HANDLE FOR SPINNING REEL

- Material: carbon arm + EVA knob
- EVA knob for comfortable grip
- For use on Helios SX, Inspira, Epixor XT, Epixor LS, Ceymar, Alaris, Altera



OKUMA SUN GLASSES

Lens Color	Green Mirror	Brown	Gray
Model	PA01G001B	PA01G002B	PA01G003B



OKUMA SUN GLASSES

Lens Color	Green Mirror	Brown	Gray
Model	PA01G004W	PA01G005W	PA01G006W



OKUMA SUN GLASSES

Lens Color	Green Mirror	Brown	Gray
Model	PA01G007B	PA01G008B	PA01G009B



LONG NOSE PLIERS

Type name	Long Nose Pliers 6"	Long Nose Pliers 7"
Length	6"	7"
Model	PA09028	PA09029



SPLIT RING PLIERS

Type name	Split Ring Pliers 6"	Split Ring Pliers 9"
Length	6"	9"
Model	PA09030	PA09031



MINI NOSE PLIERS

Type name	Mini Nose Pliers 6"
Length	6"
Model	PA09032



OKUMA REEL COVER

Protect your reels from unwanted dings, harsh exposure to the elements, as well as the more simple intrusions of dust and dirt. Custom Okuma neoprene reel covers are cut for a perfect fit to most star drag and lever drag reels.

REEL SHIELD-NEOPRENE REEL COVER

50/50W Lever Drag reels
Model: PAOKM0504-1

REEL SHIELD-NEOPRENE REEL COVER

20/30 size Lever Drags and 55/55W Star Drag Reels
Model: PAOKM0503-1

REEL SHIELD-NEOPRENE REEL COVER

10/15 Lever Drags and 30/40/300/450 Star Drag Reels
Model: PAOKM0502-1

REEL SHIELD-NEOPRENE REEL COVER

150/250/400 Baitcast and 15/20/200 Star Drags
Model: PAOKM0505-1



REEL SHIELD-NEOPRENE REEL COVER

Model: PA409A / 40/55 Spinning Reels
Model: PA410A / 65/80 Spinning Reels



OKUMA ROD STRAPS(M),25CM

Model: PAOKM0703-1

OKUMA ROD STRAPS(L),36CM

Model: PAOKM0701-1



OKUMA SPOOL BAND

Model: KSCPD07019 / S
Model: KSCPD07017 / L



OKUMA LIP GRIPPER

Model: PAFGA0201-1



REEL DISPLAY

Model: PA02007 (Capacity: 28 spinning reels)

REEL DISPLAY (WITH SECURITY WIRE)

Model: PA02016



METAL ROD RACK

Model: PA02013 (Capacity: 30 rods)



BAMBOO RACK

Model: PA02014 (Capacity: 28 rods)



OKUMA ABS ROD RACK

Model: PAOKM1000

Simple, functional, easy to set up and easy to use. The Okuma ABS rod rack holds 8 rod and reel combos or a full 16 rods with reels removed. Connect multiple racks together to make a complete system for the largest collections.



UNIVERSAL REEL GREASE

- Maximum corrosion protection
- Fortified with teflon and polymers
- Little or no drag acceleration
- Exceptionally smooth drag performance
- Superior heat and wear resistance
- Safe on all metals and common plastics
- Reduces gear train friction for easier cranking



PA1140

PA1139

ACCESSORIES

Model	Dimensions
PA1139	Cal's universal drag and gear grease 30grams
PA1140	Cal's universal drag and gear grease 100grams
PA1141	Cal's universal grease 30grams with 10ML of Fishing Reel oil

NEW

POLAR-X REEL GREASE

- Drastically increase the performance of fishing reels in extreme temperatures
- Suitable for low and high temperatures between -50°C (-58°F) and +140°C (+284°F)
- Low viscosity providing superior lubrication and long lasting performance
- Weight: 30g

Model: PA1148A



SPINNING REEL HOLDER

Model: PA02009 (Not Including Reel)



TROLLING REEL HOLDER

Model: PA02017 (Not Including Reel)



NEW

BAMBOO RACK

Model: PA02025 (Capacity: 16 rods)



OKUMA ABS ROD RACK

Model: PA342A



CARDBOARD COMBO DISPLAY

Model: PA02010

