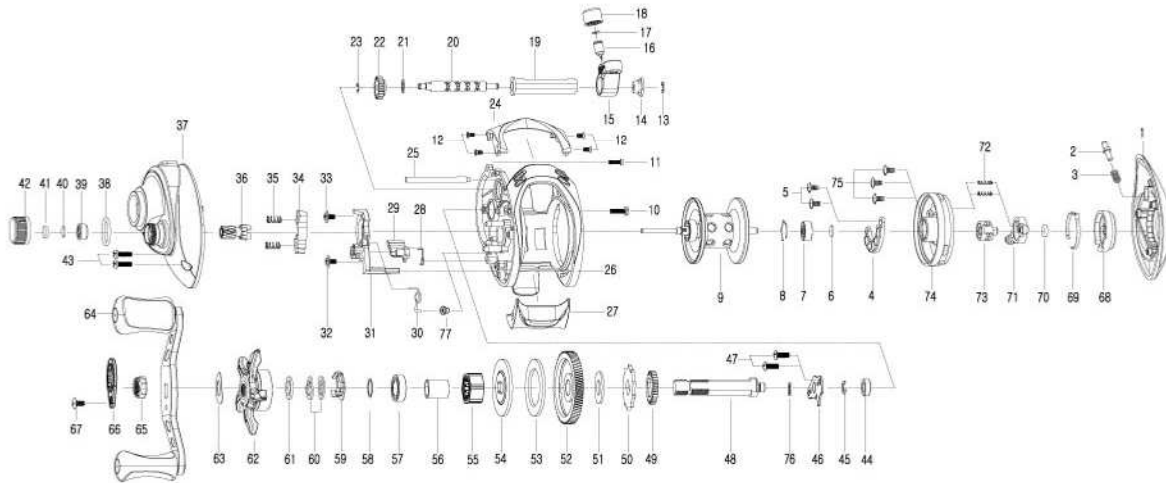




Ceymar C-266WLX



Key No.	Part No.	Part Name	Key No.	Part No.	Part Name
1	5K276126	Palm Side Cover	39	6K176801	Bearing
2	5K134801	Lock Pin	40	6K164605	Washer
3	6K974401	Coil Spring	41	6K181101	Washer
4	5K102301	Magnet Holder Assembly	42	6K181234	Tension Nut
5	5K047001	Tap Screw	43	6K311307	Screw
6	6K164605	Washer	44	6K170602	Ball Bearing
7	6K474502	Ball Bearing	45	63201402	Retainer
8	6K468301	Ring	46	5K134901	Bearing Plate
9	5K295102	Spool Assembly (1 Ball Bearing)	47	63535902	Screw
10	6K311315	Screw	48	5K093604	Gear Metal
11	6K311307	Screw	49	6K258101	Gear
12	6K395604	Screw	50	6K893602	Ratchet
13	6B339801	Retainer	51	5K027101	Washer
14	6K456801	Bush	52	5K131302	Drive Gear
15	6K931104	Level Wind Assembly	53	5K039901	Washer-L
16	6K256501	Level Wind Pin	54	5K040001	Washer-D
17	6K148801	Washer	55	6K859301	One way clutch Assembly
18	6K704403	Level Wind Nut	56	6K859205	Bush
19	6K456403	Pipe	57	6K582202	Ball Bearing
20	5K095605	Worm Shaft	58	6K177302	Washer
21	6E096503	Washer	59	6K259201	Leaf Spring Assembly
22	6K469301	Worm Pinion	60	5K027201	Spring Washer
23	6B339801	Retainer	61	6K193601	Washer
24	5K136718	Hood	62	5K1339F5	Star Drag
25	6K930403	Pillar	63	6K161404	Leaf Spring
26	5K138930	Frame Assembly	64	5K135325	Handle Assembly (2 Ball Bearing)
27	5K138301	Thumb Bar Assembly	65	5K047106	Handle Nut
28	5K138201	Kick Lever Spring	66	5K155107	Retainer
29	5K137301	Kick Lever	67	63508914	Screw
30	5K138401	Clutch Cam Spring	68	5K132402	Control Dial
31	5K137201	Clutch Cam	69	6K974701	Leaf Spring
32	6K787601	Screw	70	6K180201	O-Ring
33	6K787601	Screw	71	5K137901	Silde Cam-B
34	5K133401	Clutch	72	5K100501	Coil Spring
35	6K942501	Coil Spring	73	5K284701	Slide Cam-A
36	5K153802	Pinion	74	5K276201	Spool Cover
37	5K276026	Gear Side Cover	75	6K509702	Screw
38	6K176501	O-Ring	76	6E096501	Washer
			77	6K261702	Bush